

A
B
C
D
E
F
G
H
I
J
K
L
M
N
O
P

SECTION **DLK** DOOR & LOCK

CONTENTS

<p>BASIC INSPECTION 6</p> <p>DIAGNOSIS AND REPAIR WORKFLOW 6</p> <p style="padding-left: 20px;">Work Flow6</p> <p>INSPECTION AND ADJUSTMENT 9</p> <p>ADDITIONAL SERVICE WHEN REPLACING CONTROL UNIT9</p> <p style="padding-left: 20px;">ADDITIONAL SERVICE WHEN REPLACING CONTROL UNIT : Description9</p> <p style="padding-left: 20px;">ADDITIONAL SERVICE WHEN REPLACING CONTROL UNIT : Special Repair Requirement9</p> <p>FUNCTION DIAGNOSIS10</p> <p>AUTOMATIC DOOR LOCKS10</p> <p style="padding-left: 20px;">System Diagram 10</p> <p style="padding-left: 20px;">System Description 10</p> <p style="padding-left: 20px;">Component Parts Location 12</p> <p style="padding-left: 20px;">Component Description 13</p> <p>DOOR LOCK FUNCTION14</p> <p>DOOR LOCK AND UNLOCK SWITCH14</p> <p style="padding-left: 20px;">DOOR LOCK AND UNLOCK SWITCH : System Diagram 14</p> <p style="padding-left: 20px;">DOOR LOCK AND UNLOCK SWITCH : System Description 14</p> <p style="padding-left: 20px;">DOOR LOCK AND UNLOCK SWITCH : Component Parts Location 15</p> <p style="padding-left: 20px;">DOOR LOCK AND UNLOCK SWITCH : Component Description 16</p> <p>DOOR REQUEST SWITCH16</p> <p style="padding-left: 20px;">DOOR REQUEST SWITCH : System Diagram 16</p> <p style="padding-left: 20px;">DOOR REQUEST SWITCH : System Description... 16</p> <p style="padding-left: 20px;">DOOR REQUEST SWITCH : Component Parts Location 19</p> <p style="padding-left: 20px;">DOOR REQUEST SWITCH : Component Description21</p> <p>INTELLIGENT KEY21</p>	<p style="padding-left: 20px;">INTELLIGENT KEY : System Diagram21</p> <p style="padding-left: 20px;">INTELLIGENT KEY : System Description21</p> <p style="padding-left: 20px;">INTELLIGENT KEY : Component Parts Location...24</p> <p style="padding-left: 20px;">INTELLIGENT KEY : Component Description26</p> <p>TRUNK OPEN FUNCTION27</p> <p>TRUNK LID OPENER SWITCH27</p> <p style="padding-left: 20px;">TRUNK LID OPENER SWITCH : System Diagram27</p> <p style="padding-left: 20px;">TRUNK LID OPENER SWITCH : System Description27</p> <p style="padding-left: 20px;">TRUNK LID OPENER SWITCH : Component Parts Location28</p> <p style="padding-left: 20px;">TRUNK LID OPENER SWITCH : Component Description28</p> <p>TRUNK REQUEST SWITCH28</p> <p style="padding-left: 20px;">TRUNK REQUEST SWITCH : System Diagram29</p> <p style="padding-left: 20px;">TRUNK REQUEST SWITCH : System Description29</p> <p style="padding-left: 20px;">TRUNK REQUEST SWITCH : Component Parts Location32</p> <p style="padding-left: 20px;">TRUNK REQUEST SWITCH : Component Description34</p> <p>INTELLIGENT KEY34</p> <p style="padding-left: 20px;">INTELLIGENT KEY : System Diagram 34</p> <p style="padding-left: 20px;">INTELLIGENT KEY : System Description 34</p> <p style="padding-left: 20px;">INTELLIGENT KEY : Component Parts Location...36</p> <p style="padding-left: 20px;">INTELLIGENT KEY : Component Description38</p> <p>WARNING FUNCTION39</p> <p style="padding-left: 20px;">System Description39</p> <p style="padding-left: 20px;">Component Parts Location44</p> <p>KEY REMINDER FUNCTION47</p> <p style="padding-left: 20px;">System Description47</p> <p style="padding-left: 20px;">Component Parts Location48</p> <p>HOMELINK UNIVERSAL TRANSCEIVER51</p> <p style="padding-left: 20px;">Component Description51</p>
---	--

DIAGNOSIS SYSTEM (BCM)	52	PASSENGER SIDE : Special Repair Requirement	...	75
COMMON ITEM	52	KEY SLOT	76	
COMMON ITEM : Diagnosis Description	52	Description	76	
COMMON ITEM : CONSULT-III Function	52	Component Function Check	76	
DOOR LOCK	52	Diagnosis Procedure	76	
DOOR LOCK : CONSULT-III Function (BCM -		Component Inspection	77	
DOOR LOCK)	53	KEY CYLINDER SWITCH	78	
INTELLIGENT KEY	53	Description	78	
INTELLIGENT KEY : CONSULT-III Function		Component Function Check	78	
(BCM - INTELLIGENT KEY)	53	Diagnosis Procedure	78	
TRUNK	56	Component Inspection	79	
TRUNK : CONSULT-III Function (BCM - TRUNK)..	56	Special Repair Requirement	80	
COMPONENT DIAGNOSIS	58	UNLOCK SENSOR	81	
U1000 CAN COMM CIRCUIT	58	Description	81	
Description	58	Component Function Check	81	
DTC Logic	58	Diagnosis Procedure	81	
Diagnosis Procedure	58	Component Inspection	83	
U1010 CONTROL UNIT (CAN)	59	TRUNK LID OPENER SWITCH	84	
DTC Logic	59	Description	84	
Diagnosis Procedure	59	Component Function Check	84	
Special Repair Requirement	59	Diagnosis Procedure	84	
B2622 INSIDE KEY ANTENNA 2	60	Component Inspection	85	
Description	60	TRUNK LID OPENER CANCEL SWITCH	86	
DTC Logic	60	Description	86	
Diagnosis Procedure	60	Component Function Check	86	
B2623 INSIDE KEY ANTENNA 3	63	Diagnosis Procedure	86	
Description	63	Component Inspection	87	
DTC Logic	63	TRUNK LAMP SWITCH	89	
Diagnosis Procedure	63	Description	89	
POWER SUPPLY AND GROUND CIRCUIT	66	Component Function Check	89	
Diagnosis Procedure	66	Diagnosis Procedure	89	
Special Repair Requirement	67	Component Inspection	91	
DOOR SWITCH	68	DOOR REQUEST SWITCH	92	
Description	68	Description	92	
Component Function Check	68	Component Function Check	92	
Diagnosis Procedure	68	Diagnosis Procedure	92	
Component Inspection	70	Component Inspection	94	
DOOR LOCK AND UNLOCK SWITCH	71	TRUNK OPENER REQUEST SWITCH	96	
DRIVER SIDE	71	Description	96	
DRIVER SIDE : Description	71	Component Function Check	96	
DRIVER SIDE : Component Function Check	71	Diagnosis Procedure	96	
DRIVER SIDE : Diagnosis Procedure	71	Component Inspection	98	
DRIVER SIDE : Special Repair Requirement	72	DOOR LOCK ACTUATOR	99	
PASSENGER SIDE	73	DRIVER SIDE	99	
PASSENGER SIDE : Description	73	DRIVER SIDE : Description	99	
PASSENGER SIDE :		DRIVER SIDE : Component Function Check	99	
Component Function Check	73	DRIVER SIDE : Diagnosis Procedure	99	
PASSENGER SIDE : Diagnosis Procedure	73	PASSENGER SIDE	100	
		PASSENGER SIDE : Description	100	

PASSENGER SIDE :			
Component Function Check	100		
PASSENGER SIDE : Diagnosis Procedure	100		
REAR LH	101		
REAR LH : Description	101		
REAR LH : Component Function Check	101		
REAR LH : Diagnosis Procedure	101		
REAR RH	102		
REAR RH : Description	102		
REAR RH : Component Function Check	102		
REAR RH : Diagnosis Procedure	102		
TRUNK RELEASE SOLENOID	104		
Description	104		
Component Function Check	104		
Diagnosis Procedure	104		
INTELLIGENT KEY WARNING BUZZER	106		
Description	106		
Component Function Check	106		
Diagnosis Procedure	106		
Component Inspection	107		
OUTSIDE KEY ANTENNA	108		
Description	108		
Component Function Check	108		
Diagnosis Procedure	108		
REMOTE KEYLESS ENTRY RECEIVER	111		
Description	111		
Component Function Check	111		
Diagnosis Procedure	111		
INTELLIGENT KEY	115		
Description	115		
Component Function Check	115		
Diagnosis Procedure	115		
KEY SLOT ILLUMINATION	116		
Description	116		
Component Function Check	116		
Diagnosis Procedure	116		
HORN FUNCTION	118		
Description	118		
Component Function Check	118		
Diagnosis Procedure	118		
COMBINATION METER DISPLAY FUNCTION	120		
Description	120		
Component Function Check	120		
Diagnosis Procedure	120		
WARNING CHIME FUNCTION	121		
Description	121		
Component Function Check	121		
Diagnosis Procedure	121		
HAZARD FUNCTION	122		
Description	122		
Component Function Check	122		
Diagnosis Procedure	122		
HOMELINK UNIVERSAL TRANSCEIVER	123		
Wiring Diagram	123		
Description	124		
Component Function Check	125		
Diagnosis Procedure	125		
ECU DIAGNOSIS	127		
BCM (BODY CONTROL MODULE)	127		
Reference Value	127		
Terminal Layout	132		
Physical Values	132		
Wiring Diagram — POWER DOOR LOCK SYSTEM —	150		
Wiring Diagram — INTELLIGENT KEY SYSTEM —	161		
Wiring Diagram — TRUNK LID OPENER SYSTEM —	177		
Fail Safe	180		
DTC Inspection Priority Chart	182		
DTC Index	184		
SYMPTOM DIAGNOSIS	186		
INTELLIGENT KEY SYSTEM SYMPTOMS ...	186		
Symptom Table	186		
DOOR LOCK FUNCTION SYMPTOMS	187		
DOOR LOCK AND UNLOCK SWITCH	187		
DOOR LOCK AND UNLOCK SWITCH : Symptom Table	187		
DOOR REQUEST SWITCH	187		
DOOR REQUEST SWITCH : Symptom Table	187		
INTELLIGENT KEY	188		
INTELLIGENT KEY : Symptom Table	188		
TRUNK OPEN FUNCTION SYMPTOMS	190		
TRUNK LID OPENER SWITCH	190		
TRUNK LID OPENER SWITCH : Symptom Table	190		
TRUNK REQUEST SWITCH	190		
TRUNK REQUEST SWITCH : Symptom Table	190		
INTELLIGENT KEY	190		
INTELLIGENT KEY : Symptom Table	190		
WARNING FUNCTION SYMPTOMS	192		
Symptom Table	192		
KEY REMINDER FUNCTION SYMPTOMS ...	194		
Symptom Table	194		
HAZARD FUNCTION	195		
Symptom Table	195		

HORN FUNCTION	196	FRONT DOOR : Adjustment	220
Symptom Table	196	BACK DOOR	222
INTEGRATED HOMELINK TRANSMITTER ..	197	BACK DOOR : Exploded View	222
Symptom Table	197	BACK DOOR : Removal and Installation	222
SQUEAK AND RATTLE TROUBLE DIAG- NOSES	198	BACK DOOR : Adjustment	223
Work Flow	198	DOOR LOCK	225
Inspection Procedure	200	FRONT DOOR LOCK	225
Diagnostic Worksheet	202	FRONT DOOR LOCK : Exploded View	225
PRECAUTION	204	FRONT DOOR LOCK : Removal and Installation	225
PRECAUTIONS	204	BACK DOOR LOCK	227
Precaution for Supplemental Restraint System (SRS) "AIR BAG" and "SEAT BELT PRE-TEN- SIONER"	204	BACK DOOR LOCK : Exploded View	227
Precautions Necessary for Steering Wheel Rota- tion after Battery Disconnect (Early Production, With Electronic Steering Column Lock)	204	BACK DOOR LOCK : Removal and Installation ..	227
Procedure without Cowl Top Cover	205	TRUNK LID	229
Precaution for work	205	TRUNK LID ASSEMBLY	229
PREPARATION	206	TRUNK LID ASSEMBLY : Removal and Installa- tion	229
PREPARATION	206	TRUNK LID ASSEMBLY : Adjustment	230
Special Service Tools	206	TRUNK LID LOCK	231
Commercial Service Tools	206	TRUNK LID LOCK : Removal and Installation	231
ON-VEHICLE REPAIR	207	TRUNK LID STAY	231
HOOD	207	TRUNK LID STAY : Disposal	232
HOOD ASSEMBLY	207	FUEL FILLER LID OPENER	233
HOOD ASSEMBLY : Exploded View	207	Exploded View	233
HOOD ASSEMBLY : Removal and Installation	207	Removal and Installation	233
HOOD ASSEMBLY : Adjustment	208	DOOR SWITCH	235
HOOD LOCK CONTROL	210	Exploded View	235
HOOD LOCK CONTROL : Exploded View	210	Removal and Installation	235
HOOD LOCK CONTROL : Removal and Installa- tion	210	TRUNK LID OPENER SWITCH	236
HOOD LOCK CONTROL : Inspection	212	Removal and Installation	236
HOOD STAY	212	TRUNK OPENER REQUEST SWITCH	237
HOOD STAY : Disposal	213	Removal and Installation	237
RADIATOR CORE SUPPORT	214	INTELLIGENT KEY BATTERY	238
Exploded View	214	Removal and Installation	238
Removal and Installation	214	REMOTE KEYLESS ENTRY RECEIVER	239
FRONT FENDER	216	Removal	239
Exploded View	216	Installation	239
Removal and Installation	216	INSIDE KEY ANTENNA	240
Adjustment	216	INSTRUMENT CENTER	240
DOOR	219	INSTRUMENT CENTER : Removal and Installa- tion	240
FRONT DOOR	219	CONSOLE	240
FRONT DOOR : Exploded View	219	CONSOLE : Removal and Installation	240
FRONT DOOR : Removal and Installation	219	LUGGAGE ROOM	240
		LUGGAGE ROOM : Removal and Installation	240
		OUTSIDE KEY ANTENNA	242

A
B
C
D
E
F
G
H
I
J
DLK
L
M
N
O
P

DIAGNOSIS AND REPAIR WORKFLOW

< BASIC INSPECTION >

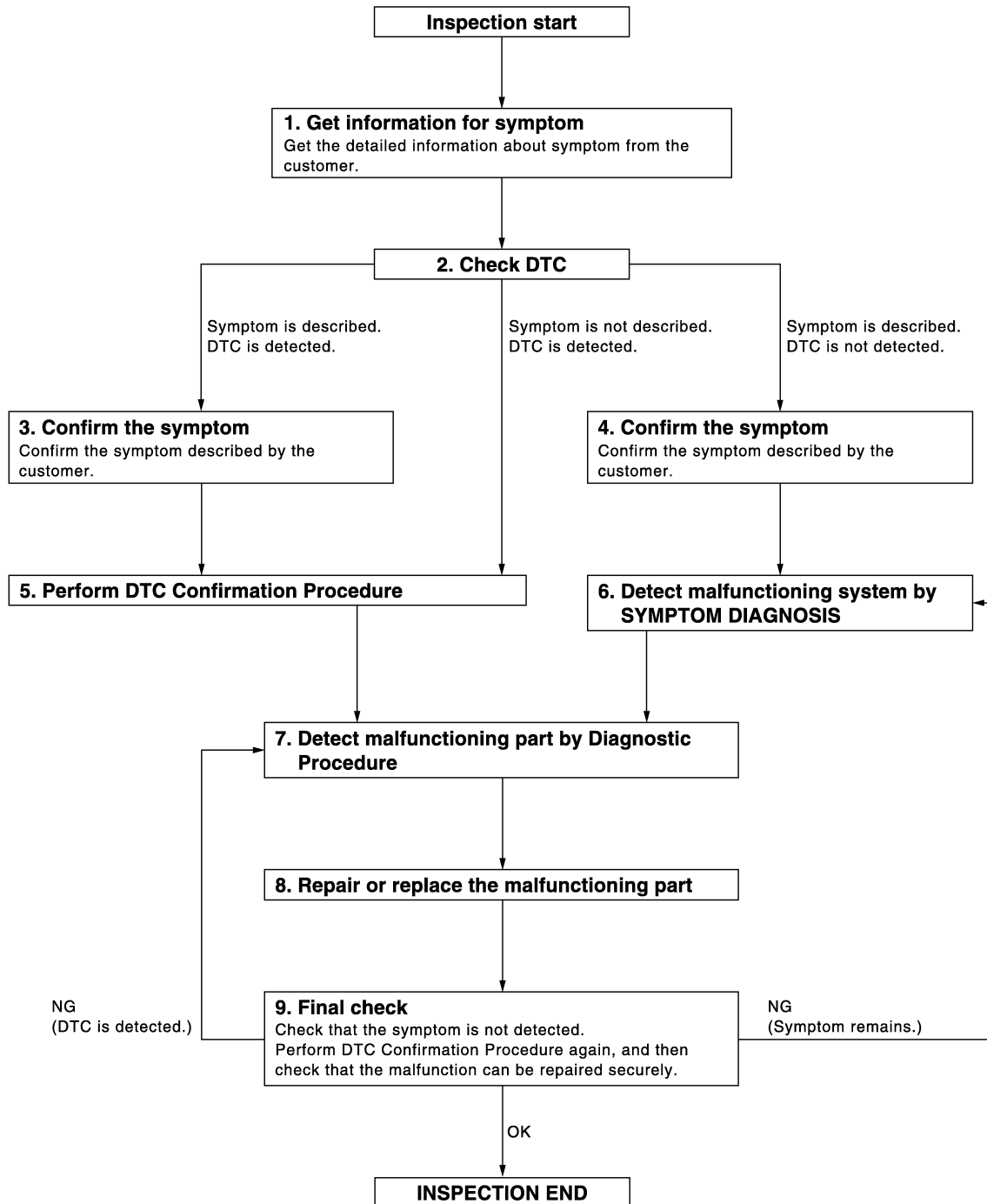
BASIC INSPECTION

DIAGNOSIS AND REPAIR WORKFLOW

Work Flow

INFOID:000000005461139

OVERALL SEQUENCE



JMKIA2270GB

DETAILED FLOW

DIAGNOSIS AND REPAIR WORKFLOW

< BASIC INSPECTION >

1.GET INFORMATION FOR SYMPTOM

Get the detailed information from the customer about the symptom (the condition and the environment when the incident/malfunction occurred).

>> GO TO 2.

2.CHECK DTC

1. Check DTC.
2. Perform the following procedure if DTC is displayed.
 - Record DTC and freeze frame data (Print them out with CONSULT-III.)
 - Erase DTC.
 - Study the relationship between the cause detected by DTC and the symptom described by the customer.
3. Check related service bulletins for information.

Is any symptom described and any DTC detected?

- Symptom is described, DTC is displayed>>GO TO 3.
- Symptom is described, DTC is not displayed>>GO TO 4.
- Symptom is not described, DTC is displayed>>GO TO 5.

3.CONFIRM THE SYMPTOM

Confirm the symptom described by the customer.
Connect CONSULT-III to the vehicle in "DATA MONITOR" mode and check real time diagnosis results.
Verify relation between the symptom and the condition when the symptom is detected.

>> GO TO 5.

4.CONFIRM THE SYMPTOM

Confirm the symptom described by the customer.
Connect CONSULT-III to the vehicle in "DATA MONITOR" mode and check real time diagnosis results.
Verify relation between the symptom and the condition when the symptom is detected.

>> GO TO 6.

5.PERFORM DTC CONFIRMATION PROCEDURE

Perform DTC Confirmation Procedure for the displayed DTC, and then check that DTC is detected again.
At this time, always connect CONSULT-III to the vehicle, and check diagnostic results in real time.
If two or more DTCs are detected, refer to [DLK-182. "DTC Inspection Priority Chart"](#) and determine trouble diagnosis order.

NOTE:

- Freeze frame data is useful if the DTC is not detected.
- Perform Component Function Check if DTC Confirmation Procedure is not included in Service Manual. This simplified check procedure is an effective alternative although DTC cannot be detected during this check.
If the result of Component Function Check is NG, it is the same as the detection of DTC by DTC Confirmation Procedure.

Is DTC detected?

- YES >> GO TO 7.
- NO >> Refer to [GI-39. "Intermittent Incident"](#).

6.DETECT MALFUNCTIONING SYSTEM BY SYMPTOM TABLE

Detect malfunctioning system according to [DLK-186. "Symptom Table"](#) based on the confirmed symptom in step 4, and determine the trouble diagnosis order based on possible causes and symptom.

>> GO TO 7.

7.DETECT MALFUNCTIONING PART BY DIAGNOSTIC PROCEDURE

Inspect according to Diagnostic Procedure of the system.

NOTE:

A
B
C
D
E
F
G
H
I
J
L
M
N
O
P

DLK

DIAGNOSIS AND REPAIR WORKFLOW

< BASIC INSPECTION >

The Diagnostic Procedure described is based on open circuit inspection. A short circuit inspection is also required for the circuit check in the Diagnostic Procedure.

Is malfunctioning part detected?

YES >> GO TO 8.

NO >> Check voltage of related BCM terminals using CONSULT-III.

8. REPAIR OR REPLACE THE MALFUNCTIONING PART

1. Repair or replace the malfunctioning part.
2. Reconnect parts or connectors disconnected during Diagnostic Procedure again after repair and replacement.
3. Check DTC. If DTC is displayed, erase it.

>> GO TO 9.

9. FINAL CHECK

When DTC was detected in step 2, perform DTC Confirmation Procedure or Component Function Check again, and then check that the malfunction has been repaired securely.

When symptom was described from the customer, refer to confirmed symptom in step 3 or 4, and check that the symptom is not detected.

Is the inspection result normal?

NO (DTC is detected)>>GO TO 7.

NO (Symptom remains)>>GO TO 6.

YES >> Inspection End.

INSPECTION AND ADJUSTMENT

< BASIC INSPECTION >

INSPECTION AND ADJUSTMENT

ADDITIONAL SERVICE WHEN REPLACING CONTROL UNIT

A

ADDITIONAL SERVICE WHEN REPLACING CONTROL UNIT : Description

INFOID:000000005461140

B

Perform the system initialization when replacing BCM, replacing Intelligent Key or registering an additional Intelligent Key.

C

ADDITIONAL SERVICE WHEN REPLACING CONTROL UNIT : Special Repair Requirement

INFOID:000000005461141

D

Refer to the CONSULT-III Operation Manual for the initialization procedure.

E

F

G

H

I

J

DLK

L

M

N

O

P

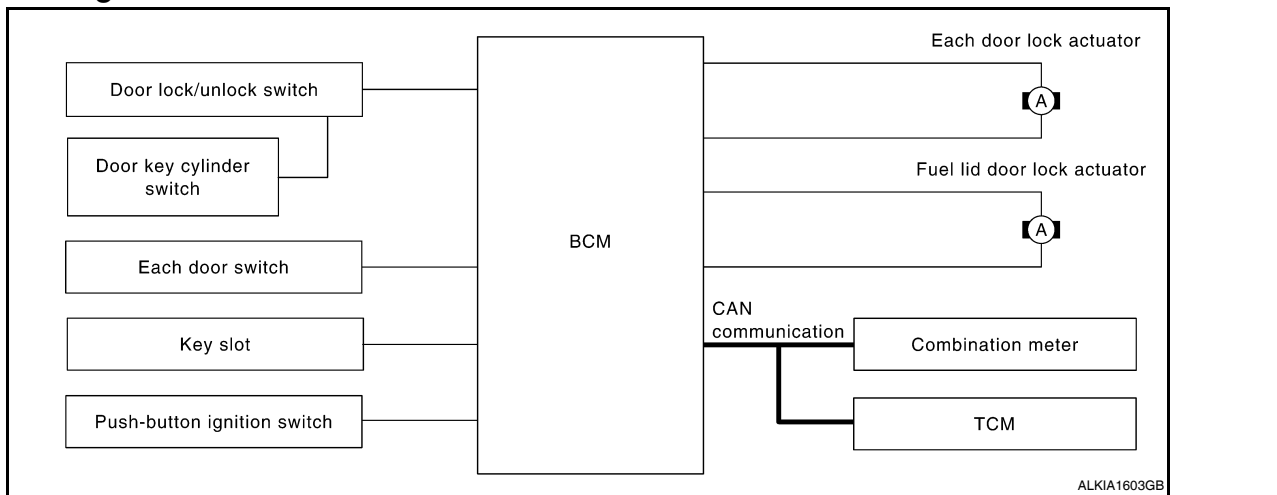
AUTOMATIC DOOR LOCKS

< FUNCTION DIAGNOSIS >

FUNCTION DIAGNOSIS

AUTOMATIC DOOR LOCKS

System Diagram



System Description

INFOID:000000005461143

Input	Single	Function	Actuator
Door lock/unlock switch	Door lock/unlock signal	Door lock function	<ul style="list-style-type: none"> • Each door lock actuator • Fuel lid door lock actuator
Door key cylinder switch			
Each door switch	Door open/close signal	Key reminder function	
Key slot	Key insert/remove signal		
Combination meter	Warning buzzer signal	Automatic door lock/unlock function	
	Vehicle speed signal		
TCM	Shift position signal		

DOOR LOCK FUNCTION

- The door lock and unlock switch (driver side) is build into power window main switch.
- The door lock and unlock switch (passenger side) is on door trim.
- Interlocked with the locking operation of door lock and unlock switch, door lock actuators of all doors and fuel lid are locked.
- Interlocked with the unlocking operation of door lock and unlock switch, door lock actuators of all doors and fuel lid are unlocked.

Door Key Cylinder

- With the door key inserted in the door key cylinder on driver side, turning it to "LOCK", will lock door lock actuator of all doors and fuel lid.
- With the door key inserted in the door key cylinder on driver side, turning it to "UNLOCK" once unlocks the driver side door lock actuator and fuel lid; turning it to "UNLOCK" again within 60 seconds after the first unlock operation unlocks all of the other doors. - (SELECTIVE UNLOCK OPERATION)

Selective unlock operation mode can be changed using "DOOR LOCK-UNLOCK SET" mode in "WORK SUPPORT". Refer to [DLK-53, "DOOR LOCK : CONSULT-III Function \(BCM - DOOR LOCK\)"](#).

AUTOMATIC DOOR LOCKS (LOCK OPERATION)

The automatic door locks function is the function that locks all doors and fuel lid linked with the vehicle speed or shift position. It has 2 types as follows.

Vehicle Speed Sensing Auto Door Lock*1

All doors and fuel lid are locked when the vehicle speed reaches 24 km/h (15 MPH) or more.

AUTOMATIC DOOR LOCKS

< FUNCTION DIAGNOSIS >

BCM outputs the lock signal to all door lock and fuel lid actuators when it detects that the ignition switch is turned ON, all doors are closed and the vehicle speed received from the combination meter via CAN communication becomes 24 km/h (15 MPH) or more.

If a door is opened and closed at any time during one ignition cycle (OFF → ON), even after initial auto door lock operation has taken place, the BCM will relock all doors when the vehicle speed reaches 24 km/h (15 MPH) or more again.

P Range Interlock Door Lock

All doors and fuel lid are locked when shifting the selector lever from the P position to any position other than P.

BCM outputs the lock signal to all door lock and fuel lid actuators when it detects that the ignition switch is in the ON position and the shift signal received from the TCM via CAN communication is shifted from the P position to any position other than P.

Setting change of Automatic Door Locks (LOCK) Function

The LOCK operation setting of the automatic door locks function can be changed.

With CONSULT-III

The ON/OFF switching of the automatic door locks (LOCK) function and the type selection of the automatic door locks (LOCK) function can be performed at the WORK SUPPORT setting of CONSULT-III. Refer to [DLK-53, "DOOR LOCK : CONSULT-III Function \(BCM - DOOR LOCK\)"](#).

Without CONSULT- III

The automatic door locks (LOCK) function can be switched ON/OFF by performing the following operation.

1. Close all doors (door switch OFF)
2. Push the ignition switch to the ON position
3. Press and hold the door lock and unlock switch for 5 seconds or more in the lock direction within 20 seconds after turning the ignition switch ON.
4. The switching is completed when the hazard lamp blinks.

OFF → ON : 2 blinks
ON → OFF : 1 blink

5. The ignition switch must be turned OFF and ON again between each setting change.

AUTOMATIC DOOR LOCKS (UNLOCK OPERATION)

The automatic door locks (UNLOCK) function is the function that unlocks all doors and fuel lid linked with the key position or shift position. It has 2 types as follows.

IGN OFF Interlock Door Unlock*1

All doors and fuel lid are unlocked when the power supply position is changed from ON to OFF.

BCM outputs the unlock signal to all door lock and fuel lid actuators when it detects that the power supply position is changed from ignition switch ON to OFF.

P Range Interlock Door Unlock

All doors and fuel lid are unlocked when shifting the selector lever from any position other than the P to P position.

BCM outputs the unlock signal to all door lock and fuel lid actuators when it detects that the ignition switch is in the ON position and the shift signal received from TCM via CAN communication is shifted from any position other than the P to P position.

Setting change of Automatic Door Locks (UNLOCK) Function

The UNLOCK operation setting of the automatic door locks function can be changed.

With CONSULT- III

The ON/OFF switching of the automatic door locks (UNLOCK) function and the type selection of the automatic door locks (UNLOCK) function can be performed at the WORK SUPPORT setting of CONSULT-III. Refer to [DLK-53, "DOOR LOCK : CONSULT-III Function \(BCM - DOOR LOCK\)"](#).

Without CONSULT- III

The automatic door locks (UNLOCK) function can be switched ON/OFF by performing the following operation.

1. Close all doors (door switch OFF)
2. Push the ignition switch to the ON position
3. Press and hold the door lock and unlock switch for 5 seconds or more in the unlock direction within 20 seconds after turning the power supply position ON.

AUTOMATIC DOOR LOCKS

< FUNCTION DIAGNOSIS >

4. The switching is completed when the hazard lamp blinks.

OFF → ON : 2 blinks

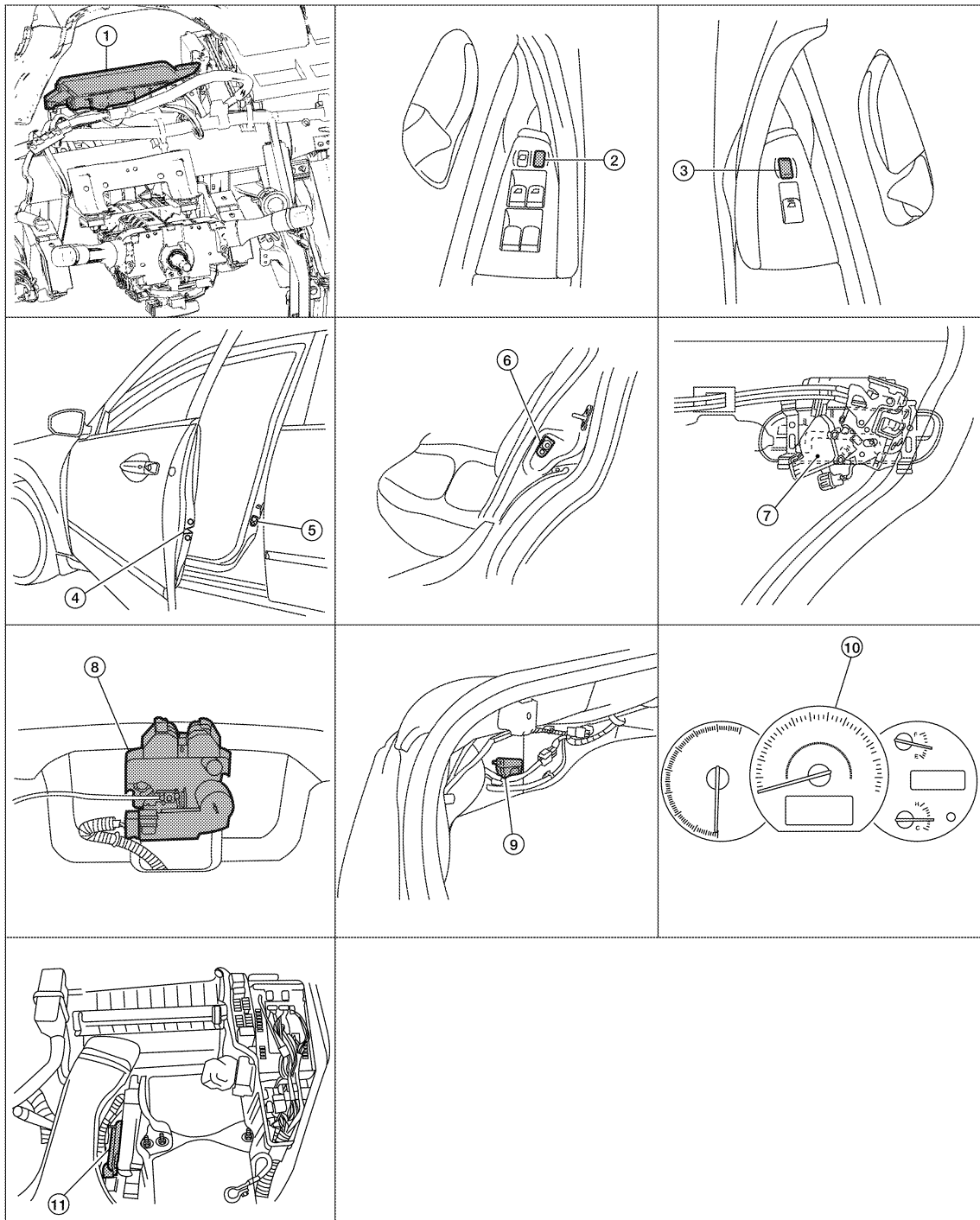
ON → OFF : 1 blink

5. The ignition switch must be turned OFF and ON again between each setting change.

*1: This function is set to ON before delivery.

Component Parts Location

INFOID:000000005461144



ALKIA1606ZZ

AUTOMATIC DOOR LOCKS

< FUNCTION DIAGNOSIS >

- | | | |
|--|---|---|
| 1. BCM M16, M17, M18, M19, M21
(view with instrument panel removed) | 2. Main power window and door lock/unlock switch D7, D8 | 3. Power window and door lock/unlock switch RH D105 |
| 4. Front door lock assembly LH (key cylinder switch) D10
Front door lock actuator RH D108 | 5. Front door switch
LH B8
RH B108 | 6. Rear door switch
LH B18
RH B116 |
| 7. Rear door lock actuator
LH D205
RH D305 | 8. Trunk lamp switch and trunk release solenoid T7 | 9. Fuel lid door lock actuator B27 |
| 10. Combination meter M24 | 11. TCM F15 | |

Component Description

INFOID:000000005461145

Item	Function
BCM	Controls the door lock function and fuel lid door lock actuator function.
Door lock and unlock switch	Input lock or unlock signal to BCM.
Door lock actuator	Output lock/unlock signal from BCM and locks/unlocks each door.
Fuel lid door lock actuator	Output lock/unlock signal from BCM and locks/unlocks fuel lid door lock actuator.
Door switch	Input door open/close condition to BCM.
Door key cylinder switch	<ul style="list-style-type: none"> • Input lock or unlock signal to power window main switch. • Power window main switch transmits door lock/unlock signal to BCM.
Key slot	Input key insert/remove signal to BCM.
Combination meter	<ul style="list-style-type: none"> • Receive buzzer signal from BCM via CAN communication line, and sounds the buzzer. • Transmits vehicle speed signal to CAN communication line.
TCM	Transmit shift position signal to BCM via CAN communication line.
Push-button ignition switch	Input push-button ignition switch ON/OFF condition to BCM.

DLK

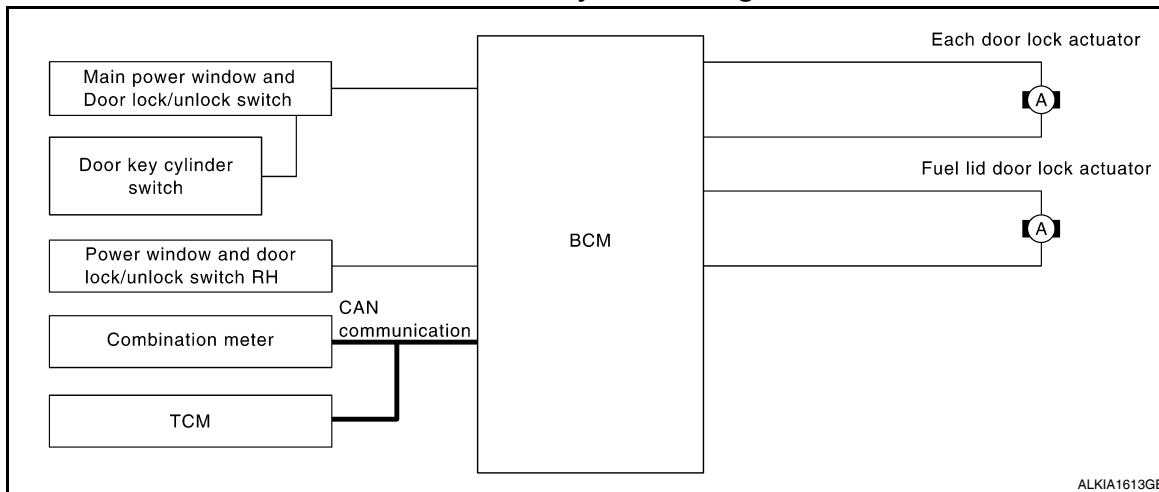
DOOR LOCK FUNCTION

< FUNCTION DIAGNOSIS >

DOOR LOCK FUNCTION DOOR LOCK AND UNLOCK SWITCH

DOOR LOCK AND UNLOCK SWITCH : System Diagram

INFOID:000000005461146



ALKIA1613GB

DOOR LOCK AND UNLOCK SWITCH : System Description

INFOID:000000005461147

Switch	Input/output signal to BCM	BCM function	Actuator
Main power window and door lock/unlock switch	Door lock/unlock signal	Door lock/unlock control	<ul style="list-style-type: none"> • Door lock actuator • Fuel lid door lock actuator
Power window and door lock/unlock switch			
Door key cylinder switch			

DOOR LOCK FUNCTION

Functions Available by Operating the Door Lock and Unlock Switches on Driver Door and Passenger Door

- Interlocked with the locking operation of door lock and unlock switch, door lock actuators of all door lock actuators are locked.
- Interlocked with the unlocking operation of door lock and unlock switch, door lock actuators of all door lock actuators are unlocked.

Functions Available by Operating the Key Cylinder Switch on Driver Door

- Interlocked with the locking operation of door key cylinder, door lock actuators of all door lock actuators are locked.

Selective Unlock Operation

- When door key cylinder is unlocked, door lock actuator driver side is unlocked.
- When door key cylinder is unlocked for the second time within 60 seconds after the first operation, door lock actuators on all doors are unlocked.

Select unlock operation mode can be changed using DOOR LOCK-UNLOCK SET mode in "WORK SUPPORT". Refer to [DLK-53, "DOOR LOCK : CONSULT-III Function \(BCM - DOOR LOCK\)"](#).

Key Reminder System

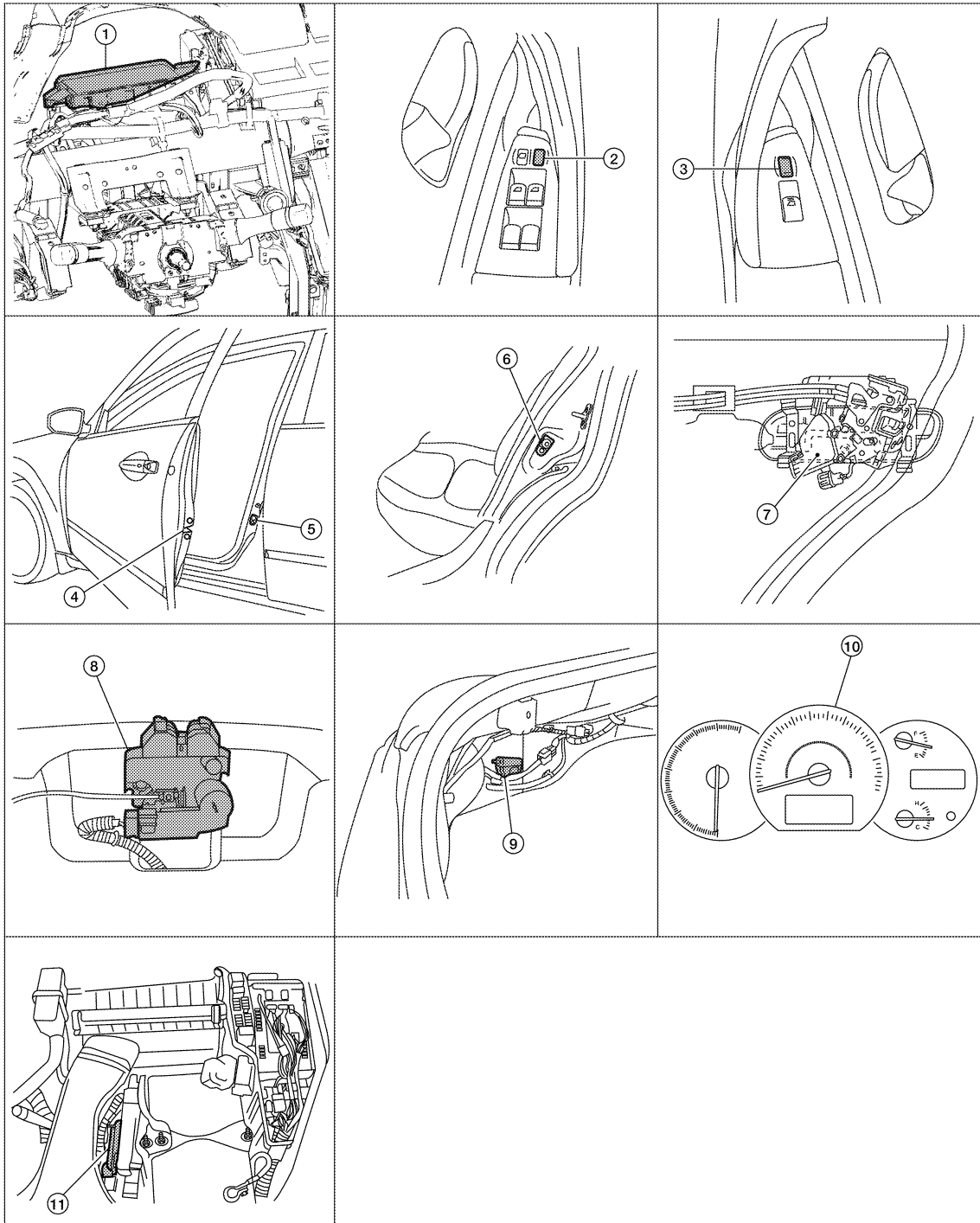
Refer to [DLK-47, "System Description"](#).

DOOR LOCK FUNCTION

< FUNCTION DIAGNOSIS >

DOOR LOCK AND UNLOCK SWITCH : Component Parts Location

INFOID:000000005461148



A
B
C
D
E
F
G
H
I
J
K
L
M
N
O

DLK

- | | | |
|--|---|---|
| 1. BCM M16, M17, M18, M19, M21
(view with instrument panel removed) | 2. Main power window and door lock/unlock switch D7, D8 | 3. Power window and door lock/unlock switch RH D105 |
| 4. Front door lock assembly LH (key cylinder switch) D10
Front door lock actuator RH D108 | 5. Front door switch
LH B8
RH B108 | 6. Rear door switch
LH B18
RH B116 |
| 7. Rear door lock actuator
LH D205
RH D305 | 8. Trunk lamp switch and trunk release solenoid T7 | 9. Fuel lid door lock actuator B27 |
| 10. Combination meter M24 | 11. TCM F15 | |

ALKIA1606ZZ

DOOR LOCK FUNCTION

< FUNCTION DIAGNOSIS >

DOOR LOCK AND UNLOCK SWITCH : Component Description

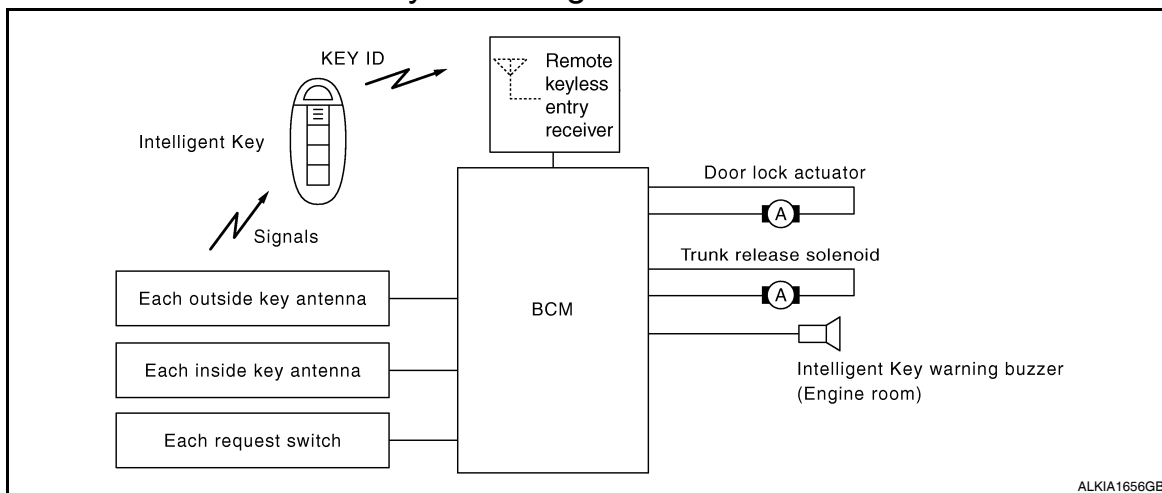
INFOID:000000005461149

Item	Function
BCM	Controls the door lock function and fuel lid door lock actuator function.
Door lock and unlock switch	Input lock or unlock signal to BCM.
Door lock actuator	Output lock/unlock signal from BCM and locks/unlocks each door.
Fuel lid door lock actuator	Output lock/unlock signal from BCM and locks/unlocks fuel lid door lock actuator.
Door switch	Input door open/close condition to BCM.
Door key cylinder switch	<ul style="list-style-type: none"> Input lock or unlock signal to power window main switch. Power window main switch transmits door lock/unlock signal to BCM.
Combination meter	<ul style="list-style-type: none"> Receive buzzer signal from BCM via CAN communication line, and sounds the buzzer. Transmits vehicle speed signal to CAN communication line.
TCM	Transmit shift position signal to BCM via CAN communication line.

DOOR REQUEST SWITCH

DOOR REQUEST SWITCH : System Diagram

INFOID:000000005461150



DOOR REQUEST SWITCH : System Description

INFOID:000000005461151

Only when pressing the request switch, it is possible to lock and unlock the door by carrying the Intelligent Key.

- The Intelligent Key system is a system that makes it possible to lock and unlock the door locks (door lock/unlock function) by carrying the Intelligent Key, which operates based on the results of electronic ID verification using two-way communications between the Intelligent Key and the vehicle (BCM).

CAUTION:

The driver should always carry the Intelligent Key

- If an action that does not meet the operating conditions of the Intelligent Key system is taken, the buzzer goes off to inform the driver (Warning chime function).
- When a door lock is locked, unlocked or trunk open with request switch or remote controller button operation, the hazard lamps flash and the Intelligent Key warning buzzer or horn sounds (Hazard and buzzer/horn reminder function).
- The settings for each function can be changed with the CONSULT-III.
- If an Intelligent Key is lost, a new Intelligent Key can be registered. A maximum of 4 Intelligent Keys can be registered.
- It is possible to perform a diagnosis on the system and register an Intelligent Key with the CONSULT-III.

OPERATION DESCRIPTION/DOOR LOCK/UNLOCK

- When the BCM detects that each door request switch is pressed, it starts the outside key antenna and inside key antenna corresponding to the pressed door request switch and transmits the request signal to the Intelligent Key. And then, checks that the Intelligent Key is near the door.

DOOR LOCK FUNCTION

< FUNCTION DIAGNOSIS >

- If the Intelligent Key is within the outside key antenna detection area, it receives the request signal and transmits the key ID signal to the BCM via remote keyless entry receiver.
- BCM receives the key ID signal and compares it with the registered key ID.
- BCM sends the door lock/unlock signal and sounds Intelligent Key buzzer warning (lock: 2 times, unlock: 1 time) at the same time as a reminder.
- With the doors locked, when either door request switch is pressed, that door is unlocked. When the same request switch is pressed again within 60 seconds, all doors and trunk are unlocked.
- With door(s) unlocked, when either door request switch is pressed, all doors and trunk are locked.

OPERATION CONDITION

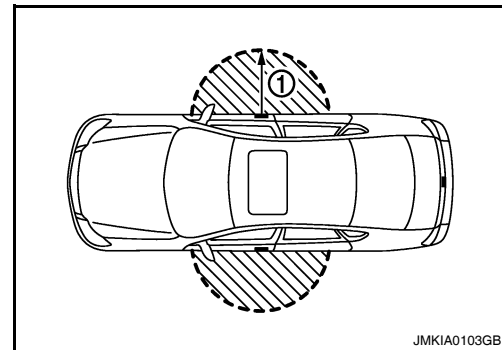
If the following conditions are not satisfied, door lock/unlock operation is not performed even if the request switch is operated.

Each request switch operation	Operation condition
Lock operation	<ul style="list-style-type: none"> • All doors are closed • Ignition switch is in OFF position • Intelligent Key is out of key slot • Intelligent Key is outside the vehicle • Intelligent Key is within outside key antenna detection area
Unlock Operation	<ul style="list-style-type: none"> • Intelligent Key is outside the vehicle • Intelligent Key is within outside key antenna detection area *

*: Even with a registered Intelligent Key remaining inside the vehicle, door locks can be unlocked from outside of the vehicle with a spare Intelligent Key as long as key IDs are different.

OUTSIDE KEY ANTENNA DETECTION AREA

The outside key antenna detection area of door lock/unlock function is in the range of approximately 80 cm (31.50 in) surrounding the driver and passenger door handles (1).



SELECTIVE UNLOCK FUNCTION

When an LOCK signal is sent from door request switch (driver side or passenger side), all doors will be locked. When an UNLOCK signal is sent from door request switch (driver side or passenger side) once, driver's door will be unlocked.

Then, if an UNLOCK signal is sent from door request switch (driver side and passenger side) again within 5 seconds, all other door will be unlocked.

HAZARD AND BUZZER REMINDER FUNCTION

During lock, unlock, or trunk opening operation by each request switch, the hazard warning lamps and Intelligent Key warning buzzer will blink or honk as a reminder.

When doors are locked, unlocked by each request switch, IPDM E/R honks Intelligent Key warning buzzer as a reminder and transmits hazard request signal to BCM via CAN communication line.

BCM flashes hazard warning lamps as a reminder.

Operating function of hazard warning lamps and buzzer reminder

Operation	Hazard warning lamps flash	Intelligent Key warning buzzer honk
Unlock	Once	Once
Lock	Twice	Twice
Trunk open	—	Four times

How to change hazard and buzzer reminder mode

Refer to [DLK-53, "INTELLIGENT KEY : CONSULT-III Function \(BCM - INTELLIGENT KEY\)"](#).

AUTO DOOR LOCK FUNCTION

DOOR LOCK FUNCTION

< FUNCTION DIAGNOSIS >

When all doors are locked, ignition switch is in OFF position and key switch is OFF (Intelligent Key is not inserted in key slot), doors are unlocked with door request switch

When BCM does not receive the following signals within 60 seconds, all doors are locked.

- Door switch is ON (door is opened)
- Door is locked
- Ignition switch is ON (ignition switch is pressed)
- Key switch is ON (Intelligent Key is inserted in key slot)

Auto door lock mode can be changed by "AUTO LOCK SET" mode in "WORK SUPPORT". Refer to [DLK-53, "INTELLIGENT KEY : CONSULT-III Function \(BCM - INTELLIGENT KEY\)"](#).

ROOM LAMP OPERATION

When the following conditions are met:

- Condition of interior lamp switch is in DOOR position
- Door switch OFF (all the doors are closed)

Intelligent Key system turns on interior lamp (for up to 30 seconds maximum) by receiving UNLOCK signal from door request switch. For detailed description, refer to [DLK-14, "DOOR LOCK AND UNLOCK SWITCH : System Description"](#).

LIST OF OPERATION RELATED PARTS

Parts marked with × are the parts related to operation.

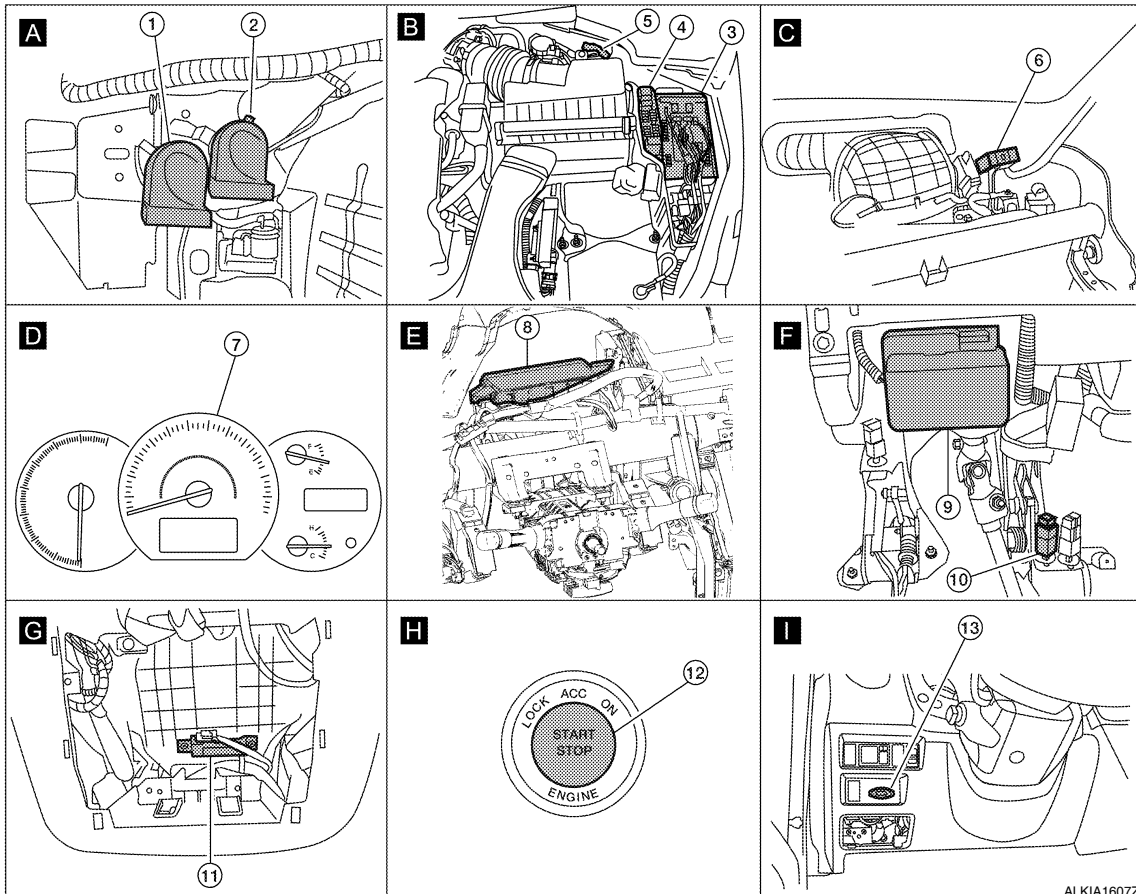
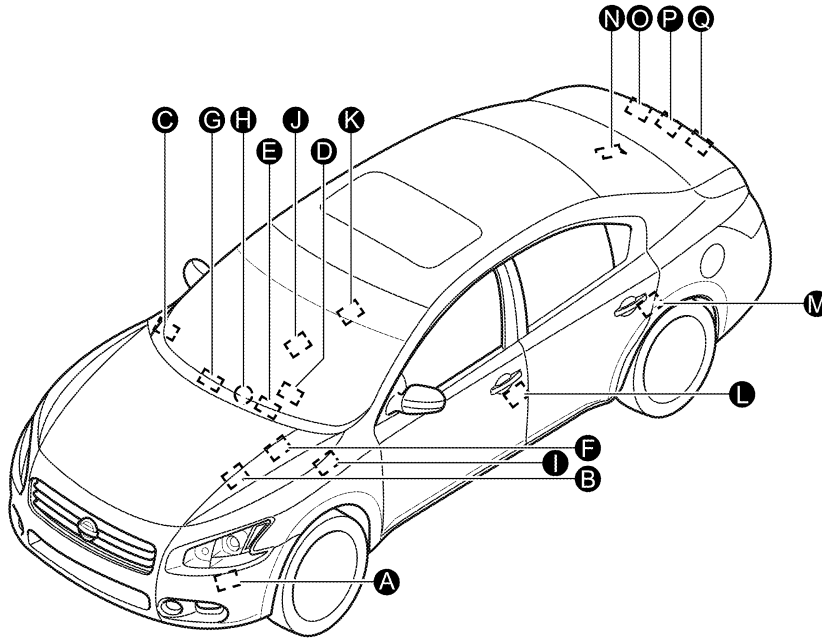
Door lock function	Intelligent Key	Key slot	Remote keyless entry receiver	Door switch	Door request switch (Driver, Passenger)	Door lock actuator	Inside key antenna	Outside key antenna (Driver, Passenger)	Intelligent Key warning buzzer	CAN communication system	BCM	Hazard warning lamp	Push-button ignition switch
Door lock/unlock function by request switch	×	×	×	×	×	×	×	×		×	×		
Hazard and buzzer reminder function for door lock/unlock operation									×	×	×	×	
Key reminder function	×	×	×	×	×	×	×	×	×	×	×	×	
Selective unlock function by request switch (Driver side)	×				×	×	×	×		×	×		
Selective unlock function by request switch (Passenger side)	×				×	×	×	×		×	×		
Auto door lock function	×	×		×	×	×				×	×		×

DOOR LOCK FUNCTION

< FUNCTION DIAGNOSIS >

DOOR REQUEST SWITCH : Component Parts Location

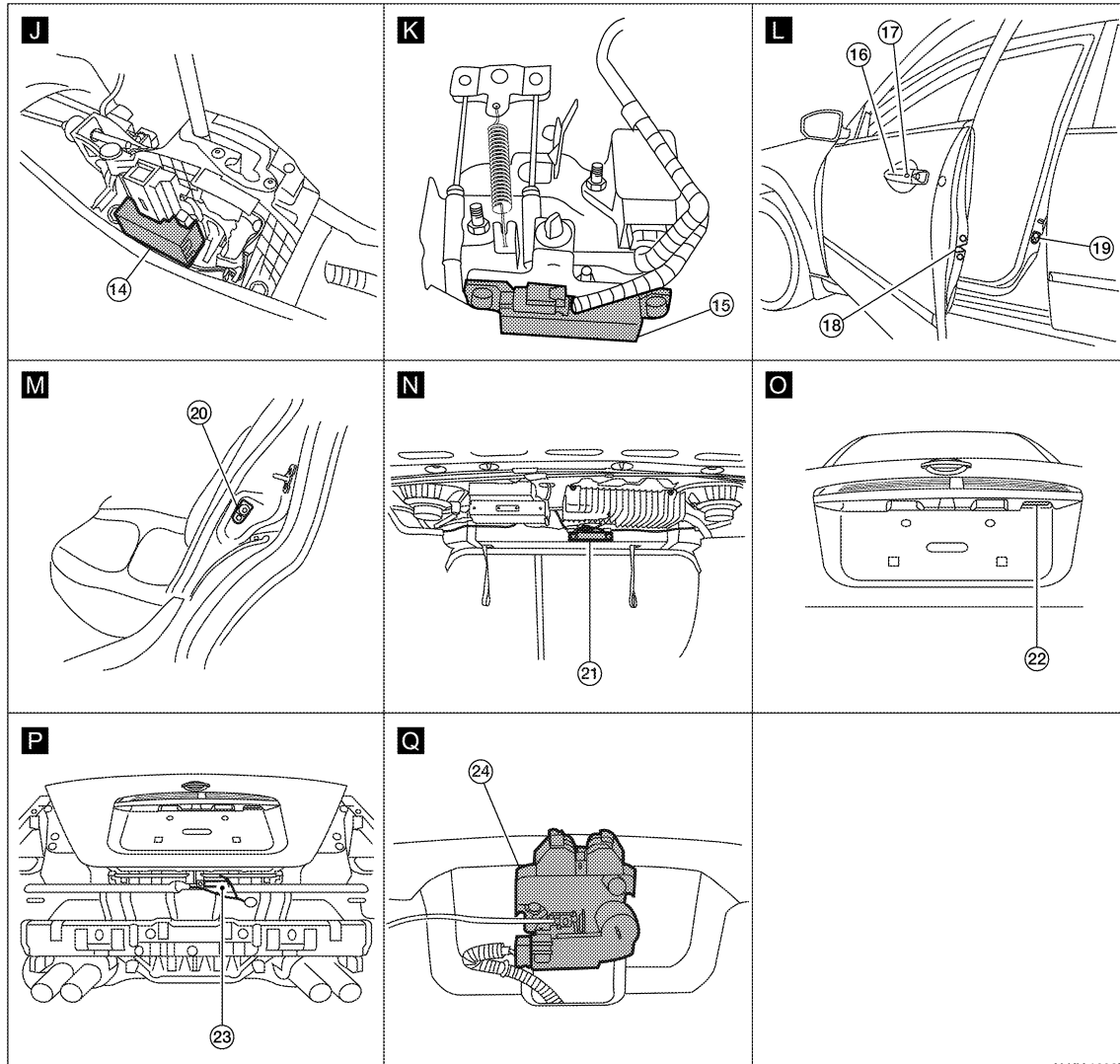
INFOID:000000005461152



A
B
C
D
E
F
G
H
I
J
DLK
L
M
N
O
P

DOOR LOCK FUNCTION

< FUNCTION DIAGNOSIS >



ALKIA1608ZZ

- | | | |
|--|--|---|
| 1. Horn (low) E215
(view with front fender protector LH removed) | 2. Horn (high) E216 | 3. IPDM E/R E17, E18 |
| 4. Horn relay H-1 | 5. Intelligent Key warning buzzer E28 | 6. Remote keyless entry receiver M27
(view with instrument panel removed) |
| 7. Combination meter M24 | 8. BCM M16, M17, M18, M19, M20, M21
(view with instrument panel removed) | 9. Electronic steering column lock M32
(early production)
(view with instrument panel LH removed) |
| 10. Stop lamp switch E38 | 11. Instrument panel antenna M49 (early production)
(view with center console assembly removed) | 12. Push button ignition switch M38 |
| 13. Key slot M40 | 14. CVT shift selector [park position switch (Intelligent Key system) M78 | 15. Front console antenna M41
(view with center console assembly removed) |
| 16. Front outside handle LH (outside key antenna) D6
Front outside handle RH (outside key antenna) D106 | 17. Front outside handle LH (request switch) D15
Front outside handle RH (request switch) D115 | 18. Front door lock assembly LH (door unlock sensor) D10 |

DOOR LOCK FUNCTION

< FUNCTION DIAGNOSIS >

- | | | |
|--|--|---|
| 19. Front door switch LH B8
RH B108 | 20. Rear door switch LH B18
RH B116 | 21. Rear parcel shelf antenna B29 |
| 22. Trunk opener request switch T5 | 23. Rear bumper antenna B46 | 24. Trunk lamp switch and trunk release solenoid T7 |

DOOR REQUEST SWITCH : Component Description

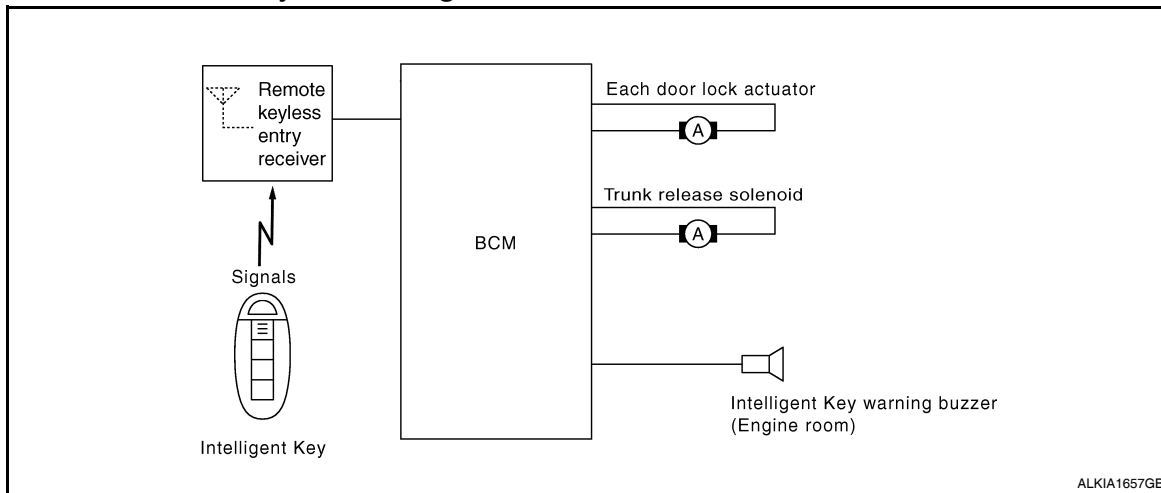
INFOID:000000005461153

Item	Function
BCM	Controls the door lock function and room lamp function.
Door lock and unlock switch	Transmits lock or unlock signal to BCM.
Door lock actuator	Receives lock/unlock signal from BCM and locks/unlocks each door.
Door switch	Transmits door open/close condition to BCM.
Remote keyless entry receiver	Receives lock/unlock signal from the Intelligent Key, and then transmits to BCM.
Request switch	Transmits lock/unlock operation to BCM.
Intelligent Key	Transmits button operation to remote keyless entry receiver.
Outside key antenna	Detects if Intelligent Key is outside the vehicle.
Inside key antenna	Detects if Intelligent Key is inside the vehicle.
Intelligent Key warning buzzer	Warns the user of the lock/unlock condition and inappropriate operations with the buzzer sound.

INTELLIGENT KEY

INTELLIGENT KEY : System Diagram

INFOID:000000005461154



INTELLIGENT KEY : System Description

INFOID:000000005461155

The Intelligent Key has the same functions as the remote control entry system. Therefore, it can be used in the same manner as the remote controller by operating the door lock/unlock button.

OPERATION DESCRIPTION/DOOR LOCK/UNLOCK FUNCTION

- When door lock/unlock button of the Intelligent Key is pressed, lock signal or unlock signal is transmitted from Intelligent Key to BCM via remote keyless entry receiver.
- When BCM receives the door lock/unlock signal, it operates door lock actuator, flashes the hazard lamp (lock: 2 times, unlock: 1 time) and horn chirp signal to IPDM E/R at the same time as a reminder.
- IPDM E/R honks horn (lock: 1 time) as a reminder.

OPERATION CONDITION

Remote controller operation	Operation condition	Operation
Lock	• All doors closed	All doors lock
Unlock	• Intelligent Key is out of key slot	All doors unlock

DOOR LOCK FUNCTION

< FUNCTION DIAGNOSIS >

OPERATION AREA

- Operating Range
- To ensure the Intelligent Key works effectively, use within 80 cm (31.50 inch) range of each doors, however the operable range may differ according to surroundings. The remote control operation range is greater than that of the Intelligent Key. Refer to Owner's Manual for more details.

SELECTIVE UNLOCK FUNCTION

When a LOCK signal is transmitted from Intelligent Key, all doors will be locked.

When an UNLOCK signal is transmitted from Intelligent Key once, driver's door will be unlocked.

Then, if an UNLOCK signal is transmitted from Intelligent Key again within 5 seconds, all other doors will be unlocked.

HAZARD AND HORN REMINDER FUNCTION

When doors are locked or unlocked by Intelligent Key, BCM flashes hazard warning lamps as a reminder and sends horn chirp signal to IPDM E/R. IPDM E/R sounds horn as a reminder.

The hazard and horn reminder has a horn chirp mode (C mode) and a non-horn chirp mode (S mode).

Operating function of hazard and horn reminder

	C mode			S mode		
	Lock	Unlock	Trunk open	Lock	Unlock	Trunk open
Intelligent Key operation	Lock	Unlock	Trunk open	Lock	Unlock	Trunk open
Hazard warning lamp flash	Twice	Once	—	Twice	—	—
Horns sound	Once	—	—	—	—	—

Hazard and horn reminder does not operate if any door switch is ON (any door is OPEN).

How to change hazard and horn reminder mode

Ⓟ With CONSULT-III

Refer to [DLK-53, "INTELLIGENT KEY : CONSULT-III Function \(BCM - INTELLIGENT KEY\)"](#).

ⓧ Without CONSULT-III

Refer to Owner's Manual for instructions.

AUTO DOOR LOCK FUNCTION

Auto Door Lock Function

When all doors are locked, ignition switch is OFF (ignition switch is not pressed) and key switch is OFF (Intelligent Key is not inserted in key slot), doors are unlocked with Intelligent Key button. When BCM does not receive the following signals within 60 seconds, all doors are locked.

- Door switch is ON (door is opened)
- Door is locked
- Ignition switch is ON
- Key switch is ON (Intelligent Key is inserted in key slot)

Auto door lock mode can be changed by DOOR LOCK-UNLOCK SET mode in "WORK SUPPORT". Refer to [DLK-53, "DOOR LOCK : CONSULT-III Function \(BCM - DOOR LOCK\)"](#).

PANIC ALARM FUNCTION

When ignition switch is OFF (ignition switch is not pressed) and key switch is OFF (Intelligent Key is not inserted in key slot), BCM receives PANIC ALARM signal from Intelligent Key.

BCM turns on and off headlamp intermittently and transmits theft warning horn signal to IPDM E/R. Then, IPDM E/R turns on and off horn intermittently.

The headlamp flashes and the horn sounds intermittently.

The alarm automatically turns off:

- After 25 seconds
 - When BCM receives any signal from Intelligent Key
 - When BCM receives any signal from driver or passenger request switch with Intelligent Key in range
- Panic alarm function mode can be changed by PANIC ALARM SET mode in "WORK SUPPORT". Refer to [DLK-53, "INTELLIGENT KEY : CONSULT-III Function \(BCM - INTELLIGENT KEY\)"](#).

KEYLESS POWER WINDOW DOWN (OPEN) FUNCTION

Front power windows (with left and right front power window anti-pinch system) open when the unlock button on Intelligent Key is activated and kept pressed for more than 3 seconds with the ignition switch OFF. The windows keep opening if the unlock button is continuously pressed.

The power window opening stops when the following operations are performed:

- When the unlock button is kept pressed more than 15 seconds.

DOOR LOCK FUNCTION

< FUNCTION DIAGNOSIS >

- When the ignition switch is turned ON while the power window opening is operated.
- When the unlock button is released.

While retained power operation activates, keyless power window down (open) function cannot be operated. Keyless power window down operation mode can be changed by PW DOWN SET mode in "WORK SUPPORT". Refer to [DLK-53, "INTELLIGENT KEY : CONSULT-III Function \(BCM - INTELLIGENT KEY\)"](#).

ROOM LAMP ILLUMINATION OPERATION

When the following conditions are met:

- Condition of interior lamp switch is in DOOR position
- Door switch OFF (all the doors are closed)

Intelligent Key system turns on interior lamp (for 15 seconds) by receiving UNLOCK signal from Intelligent Key. For detailed description, refer to [DLK-21, "INTELLIGENT KEY : System Description"](#).

LIST OF OPERATION RELATED PARTS

Parts marked with × are the parts related to operation.

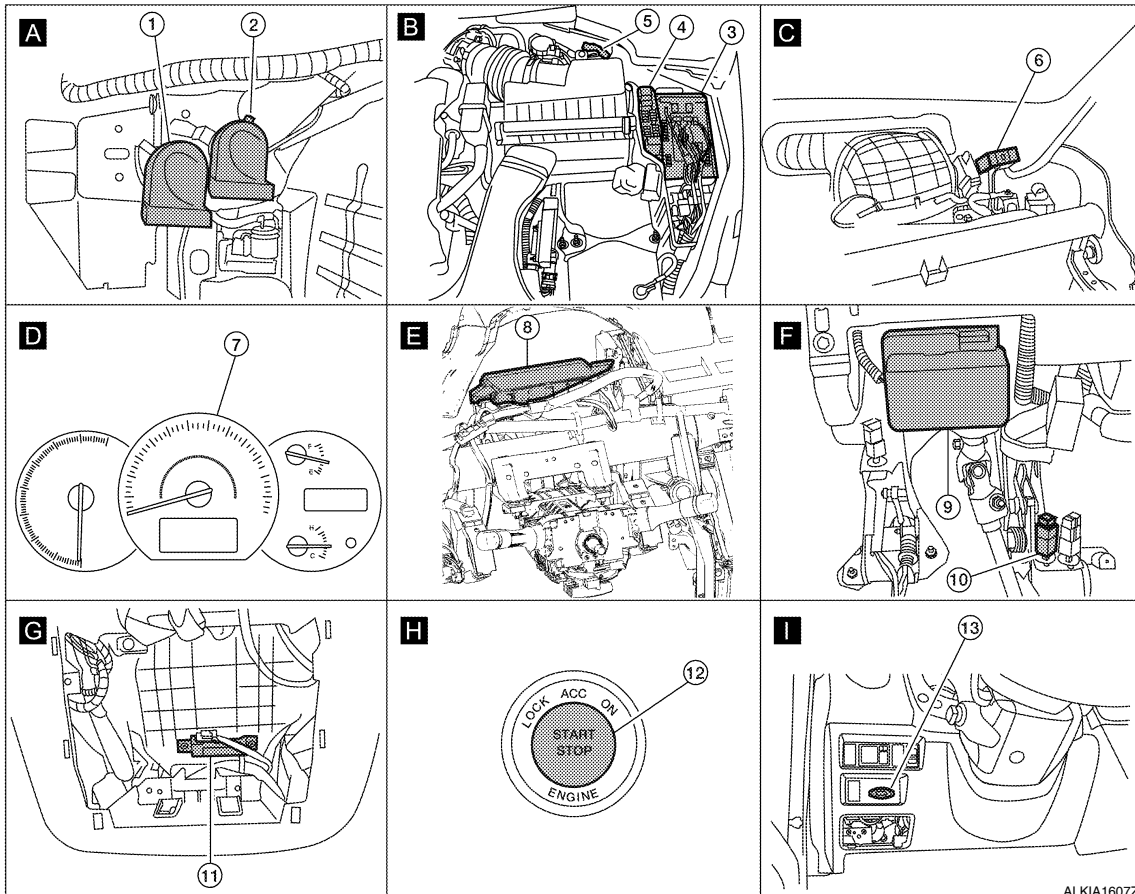
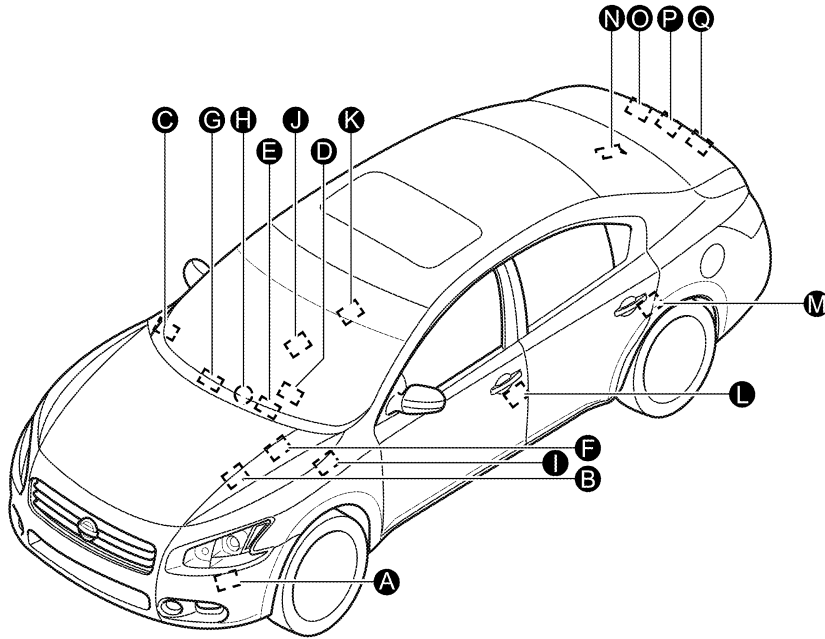
Remote keyless entry functions	Intelligent Key	Key slot	Door request switch (Driver, Passenger)	Door switch	Door lock actuator	Intelligent Key warning buzzer	CAN communication system	BCM	Combination meter	Hazard warning lamp	Horn	IPDM E/R	Head lamp
Door lock/unlock function by remote control button	×	×		×	×		×	×					
Hazard and horn reminder function	×					×	×	×	×	×	×	×	
Selective unlock function	×			×	×		×	×					
Keyless power window down (open) function	×	×					×	×					
Auto door lock function	×	×		×			×	×					
Panic alarm function	×	×	×				×	×	×		×	×	×

DOOR LOCK FUNCTION

< FUNCTION DIAGNOSIS >

INTELLIGENT KEY : Component Parts Location

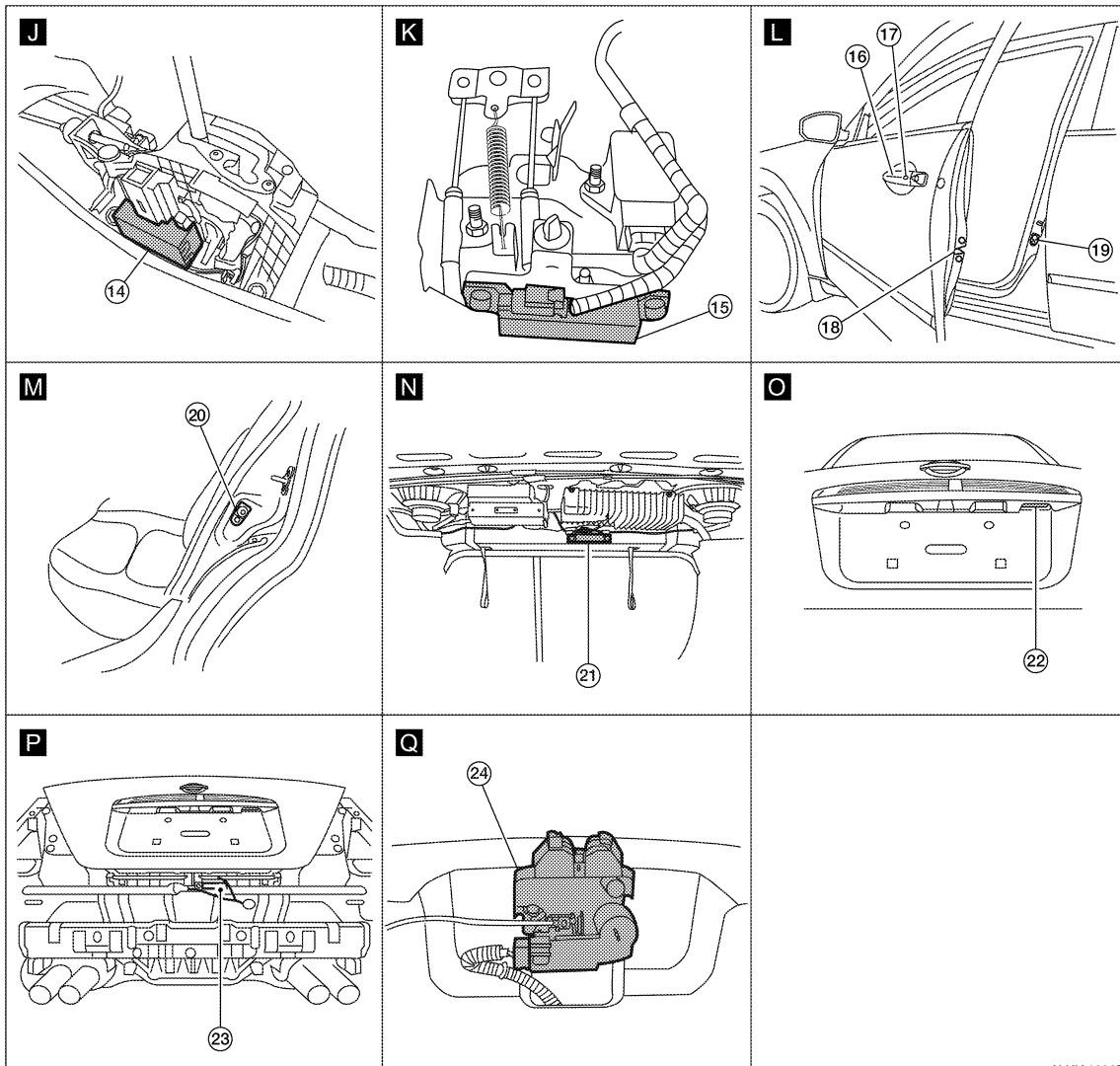
INFOID:000000005531988



ALKIA1607ZZ

DOOR LOCK FUNCTION

< FUNCTION DIAGNOSIS >



A
B
C
D
E
F
G
H
I
J

DLK

ALKIA1608ZZ

- | | | |
|--|--|---|
| 1. Horn (low) E215
(view with front fender protector LH removed) | 2. Horn (high) E216 | 3. IPDM E/R E17, E18 |
| 4. Horn relay H-1 | 5. Intelligent Key warning buzzer E28 | 6. Remote keyless entry receiver M27
(view with instrument panel removed) |
| 7. Combination meter M24 | 8. BCM M16, M17, M18, M19, M20, M21
(view with instrument panel removed) | 9. Electronic steering column lock M32
(early production)
(view with instrument panel LH removed) |
| 10. Stop lamp switch E38 | 11. Instrument panel antenna M49 (early production)
(view with center console assembly removed) | 12. Push button ignition switch M38 |
| 13. Key slot M40 | 14. CVT shift selector [park position switch (Intelligent Key system) M78 | 15. Front console antenna M41
(view with center console assembly removed) |
| 16. Front outside handle LH (outside key antenna) D6
Front outside handle RH (outside key antenna) D106 | 17. Front outside handle LH (request switch) D15
Front outside handle RH (request switch) D115 | 18. Front door lock assembly LH (door unlock sensor) D10 |

L
M
N
O
P

DOOR LOCK FUNCTION

< FUNCTION DIAGNOSIS >

- | | | |
|--|--|---|
| 19. Front door switch LH B8
RH B108 | 20. Rear door switch LH B18
RH B116 | 21. Rear parcel shelf antenna B29 |
| 22. Trunk opener request switch T5 | 23. Rear bumper antenna B46 | 24. Trunk lamp switch and trunk release solenoid T7 |

INTELLIGENT KEY : Component Description

INFOID:000000005461157

Item	Function
BCM	Controls the door lock function and room lamp function.
Door lock actuator	Receives lock/unlock signal from BCM and locks/unlocks each door.
Remote keyless entry receiver	Receives lock/unlock signal from the Intelligent Key, and then transmits to BCM.
Intelligent Key	Transmits button operation to remote keyless entry receiver.
Fuel lid door lock actuator	Performs lock/unlock of the fuel lid.
Intelligent key warning buzzer	Warns the user of the lock/unlock condition and inappropriate operations with the buzzer sound.

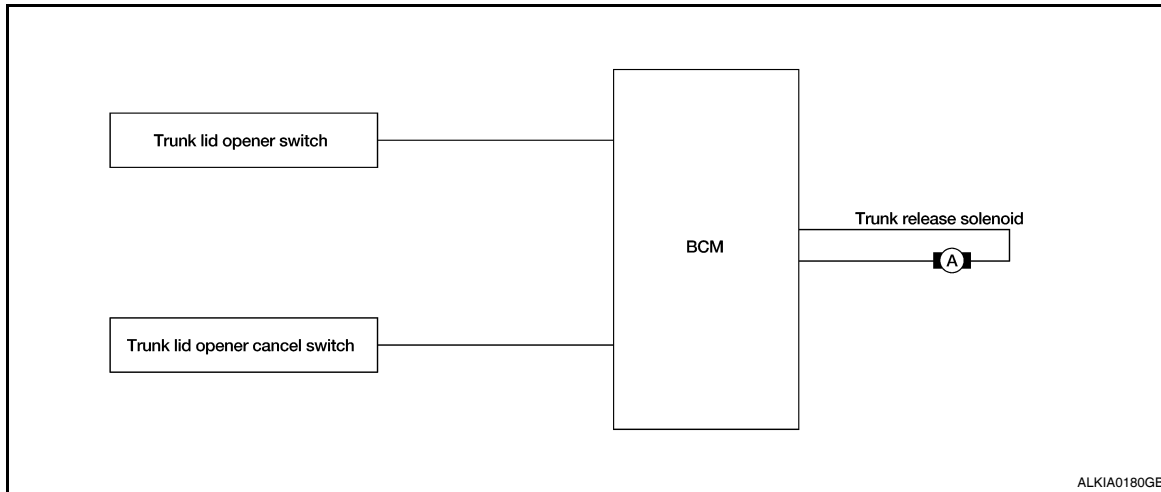
TRUNK OPEN FUNCTION

< FUNCTION DIAGNOSIS >

TRUNK OPEN FUNCTION TRUNK LID OPENER SWITCH

TRUNK LID OPENER SWITCH : System Diagram

INFOID:000000005461158



TRUNK LID OPENER SWITCH : System Description

INFOID:000000005461159

Switch	Input/output signal to BCM	BCM function	Actuator
Trunk lid opener switch	Trunk open signal	Trunk open control	Trunk release solenoid
Trunk lid opener cancel switch			

TRUNK LID OPENER OPERATION

When trunk lid opener switch is ON, BCM opens trunk release solenoid.

BCM can open trunk lid opener actuator when

- vehicle speed is less than 5 km/h (3 MPH)
- vehicle security system is disarmed or in pre-armed phase

BCM does not open trunk lid opener actuator when

- trunk lid opener cancel switch is OFF (CANCEL)
- vehicle speed is more than 5 km/h (3 MPH)
- vehicle security system is armed or in alarm phase
- Within 3 seconds of removing the Intelligent Key from the key slot

A
B
C
D
E
F
G
H
I
J
L
M
N
O
P

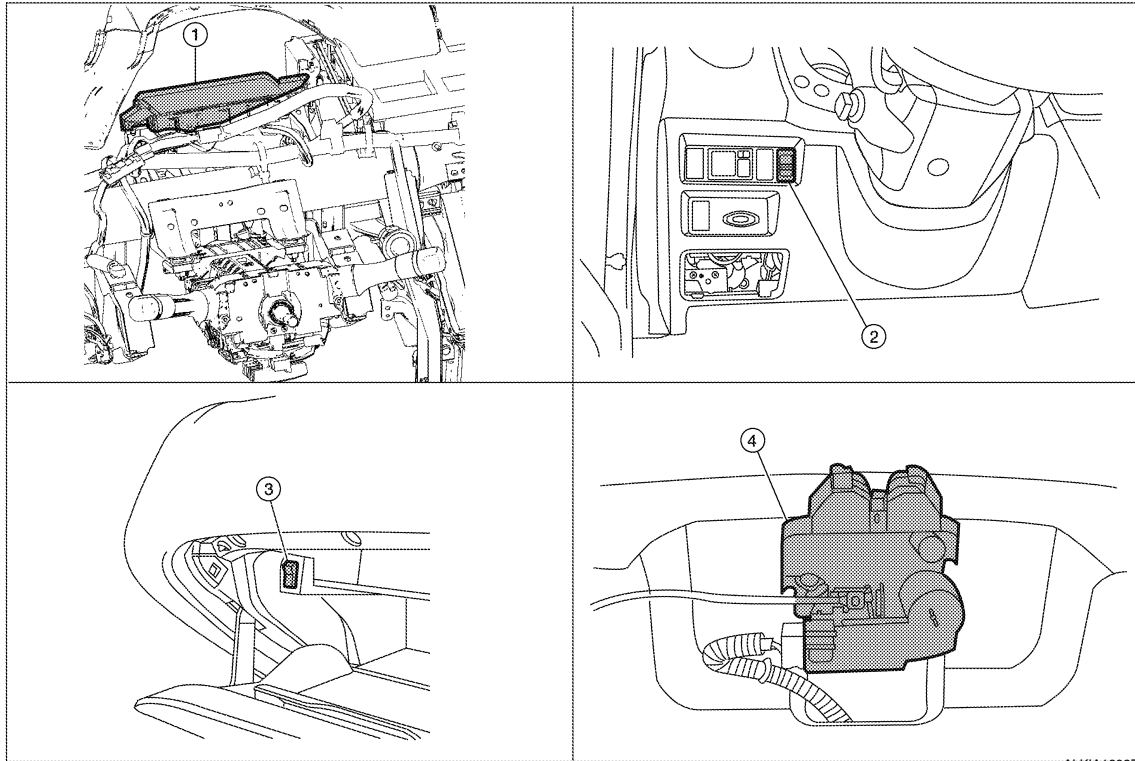
DLK

TRUNK OPEN FUNCTION

< FUNCTION DIAGNOSIS >

TRUNK LID OPENER SWITCH : Component Parts Location

INFOID:000000005461160



1. BCM M16, M17, M18, M20, M21
2. Trunk lid opener switch M75
3. Trunk lid opener cancel switch M74
4. Trunk lamp switch and trunk release solenoid T7

TRUNK LID OPENER SWITCH : Component Description

INFOID:000000005461161

Item	Function
BCM	Transmits trunk open operation to BCM.
Trunk lid opener switch	Transmits trunk open operation to BCM.
Trunk release solenoid	Opens the trunk with the open signal from BCM
Trunk lid opener cancel switch	Cancels the trunk open operation.

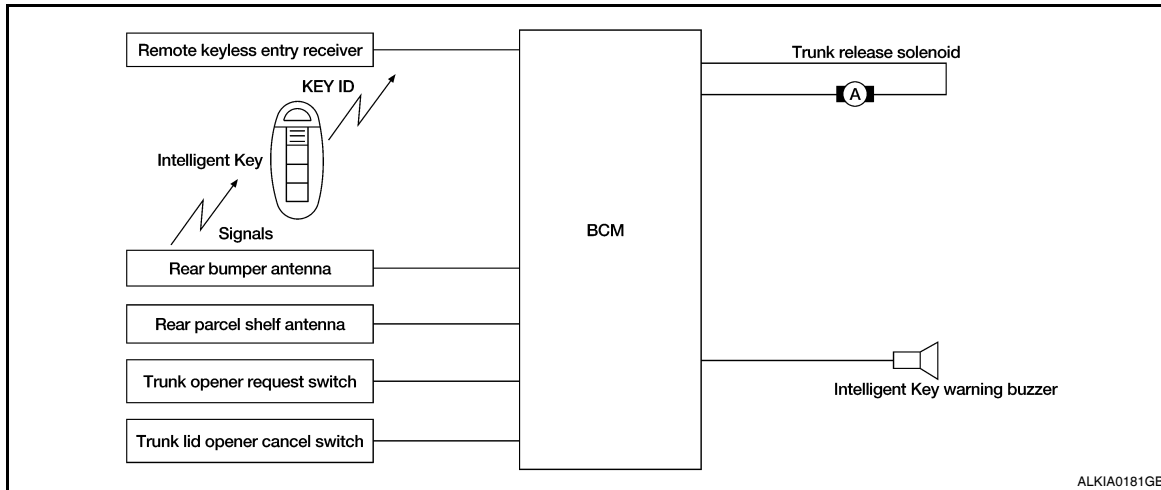
TRUNK REQUEST SWITCH

TRUNK OPEN FUNCTION

< FUNCTION DIAGNOSIS >

TRUNK REQUEST SWITCH : System Diagram

INFOID:000000005461162



TRUNK REQUEST SWITCH : System Description

INFOID:000000005461163

Only when pressing the request switch, it is possible to open the trunk by carrying the Intelligent Key.

- The Intelligent Key system is a system that makes it possible to open the trunk (trunk open function) by carrying the Intelligent Key which operates based on the results of electronic ID verification using two-way communications between the Intelligent Key and the vehicle (BCM).

CAUTION:

The driver should always carry the Intelligent Key

- If an action that does not meet the operating conditions of the Intelligent Key system is taken, the buzzer goes off to inform the driver (warning chime functions).
- When trunk is opened with request switch or remote controller button operation, the hazard lamps flash and the Intelligent Key warning buzzer or horns sound (hazard and buzzer/horn reminder function).
- The settings for each function can be changed with the CONSULT-III.
- If an Intelligent Key is lost, a new Intelligent Key can be registered. A maximum of 4 Intelligent Keys can be registered.
- It is possible to perform a diagnosis on the system and register an Intelligent Key with the CONSULT-III.

OPERATION DESCRIPTION/TRUNK OPEN

- When the BCM detects that trunk open request switch is pressed, it starts the outside key antenna (trunk room) and inside key antenna corresponding to the pressed trunk open request switch and transmits the request signal to the Intelligent Key. And then, check that the Intelligent Key is near the trunk.
- If the Intelligent Key is within the outside key antenna (trunk room) detection area, it receives the request signal and transmits the key ID signal to the BCM via remote keyless entry receiver.
- BCM receives the key ID signal and compares it with the registered key ID.
- BCM transmits the trunk open request signal and sounds Intelligent Key warning buzzer 4 consecutive times.
- When BCM receives the trunk open request signal, it operates the trunk release solenoid and opens the trunk.

OPERATION CONDITION

If the following conditions are not satisfied, trunk open operation is not performed even if the request switch is operated.

Each request switch operation	Operation condition
Trunk open operation	<ul style="list-style-type: none"> • Intelligent Key is within outside key antenna (trunk room) detection area* • Trunk cancel switch is ON • Key reminder functions operate (trunk)

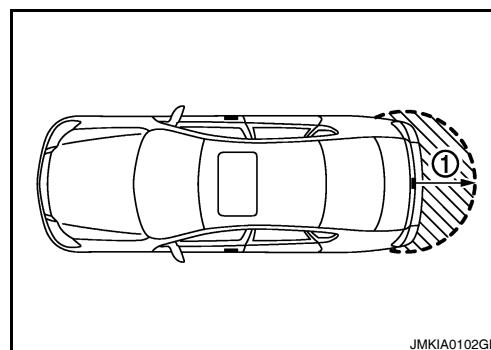
*: Even with a registered Intelligent Key remaining inside the vehicle, door locks can be unlocked from outside of the vehicle with a spare Intelligent Key as long as key IDs are different.

OUTSIDE KEY ANTENNA DETECTION AREA

TRUNK OPEN FUNCTION

< FUNCTION DIAGNOSIS >

The outside key antenna detection area of trunk open function is in the range of approximately 80 cm (31.50 in) surrounding trunk opener request switch (1). However, this operating range depends on the ambient conditions.



JMKIA0102GB

KEY REMINDER FUNCTION

Key reminder function	Operation condition	Operation
Trunk is closed	Right after trunk is closed under the following conditions <ul style="list-style-type: none"> • Intelligent Key is inside trunk room • All doors are closed • All doors are locked 	<ul style="list-style-type: none"> • Trunk open • Sound Intelligent Key warning buzzer

*:If the door closing impact shocks the door lock knob, or contacts against baggage with the door lock knob, it might activate the door locks accidentally but unlock operation will be performed at these cases.

CAUTION:

- The above function operates when the Intelligent Key is inside the vehicle. However, there may be times when the Intelligent Key cannot be detected, and this function will not operate when the Intelligent Key is on the instrument panel, rear parcel shelf, or in the glove box. Also, this system sometimes does not operate if the Intelligent Key is in the door pocket for the open door.
- The key reminder function is operated when the trunk is opened/closed and the buzzers sound. If the following operations are performed, the key reminder function is cleared and buzzer sounds are stopped.
 - Remote controller door lock button operation of Intelligent Key
 - Remote controller door unlock button operation of Intelligent Key
 - When the trunk is closed, the Intelligent Key is not inside the vehicle
 - When any door is open

HAZARD AND BUZZER REMINDER FUNCTION

During trunk opening operation by request switch, the hazard warning lamps and Intelligent Key warning buzzer will flash or sound as a reminder.

When trunk open by each request switch, IPDM E/R sounds Intelligent Key warning buzzer as a reminder and transmits hazard request signal to BCM via CAN communication line.

BCM flashes hazard warning lamps as a reminder.

Operating function of hazard and buzzer reminder

Operation	Hazard warning lamp flash	Intelligent Key warning buzzer sounds
Trunk open	—	Four times

How to change hazard and buzzer reminder mode

With CONSULT-III

Refer to [DLK-53. "INTELLIGENT KEY : CONSULT-III Function \(BCM - INTELLIGENT KEY\)".](#)

LIST OF OPERATION RELATED PARTS

Parts marked with × are the parts related to operation.

TRUNK OPEN FUNCTION

< FUNCTION DIAGNOSIS >

Trunk open function	Intelligent Key	Key slot	Remote keyless entry receiver	Door switch	Trunk room lamp switch	Trunk opener request switch	Trunk release solenoid	Inside key antenna	Outside key antenna (Trunk)	Intelligent Key warning buzzer	CAN communication system	BCM	Hazard warning lamps	Trunk lid opener cancel switch	A
Trunk open function by the trunk opener request switch	×		×		×	×	×	×	×		×	×		×	D
Hazard and buzzer reminder function for door lock/unlock operation										×	×	×	×		E
Buzzer reminder for trunk open operation										×	×	×			E
Key reminder function	×	×	×	×				×	×	×	×	×	×		F

A
B
C
D
E
F
G
H
I
J
L
M
N
O
P

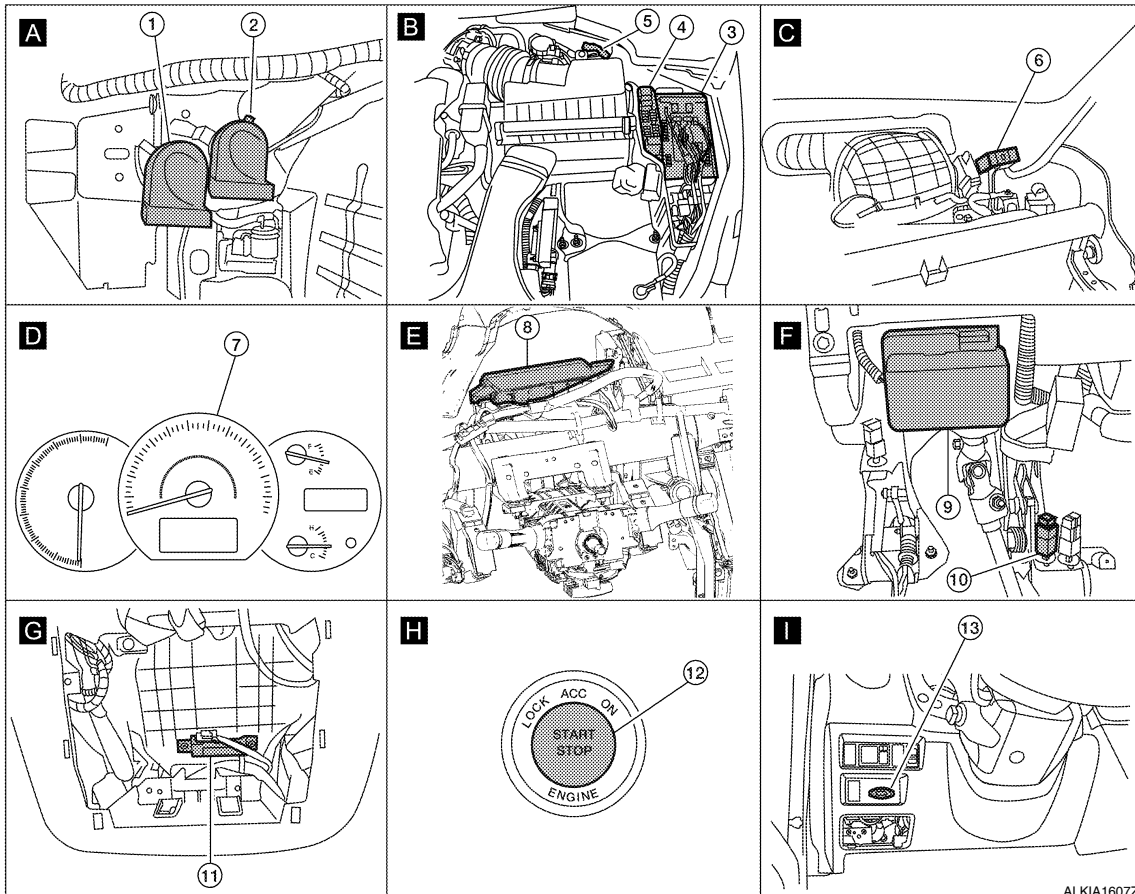
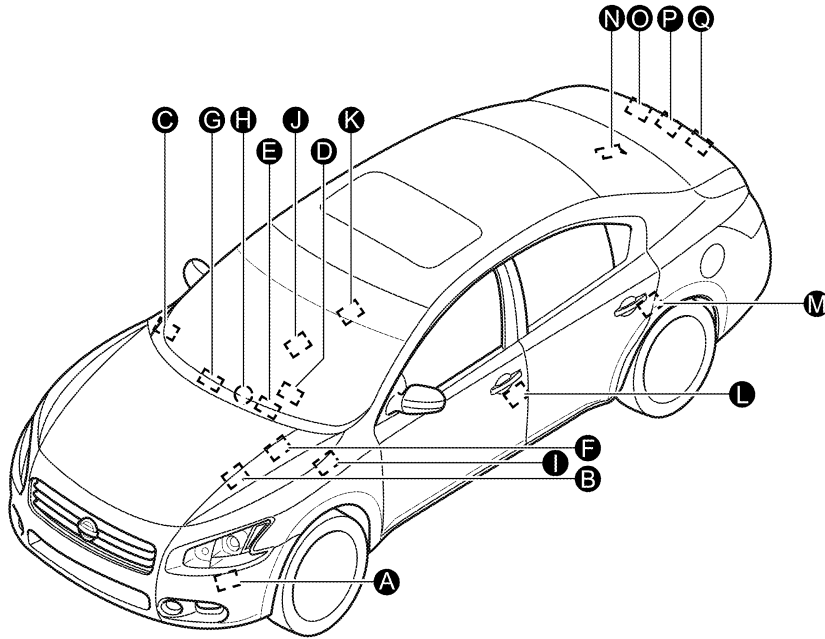
DLK

TRUNK OPEN FUNCTION

< FUNCTION DIAGNOSIS >

TRUNK REQUEST SWITCH : Component Parts Location

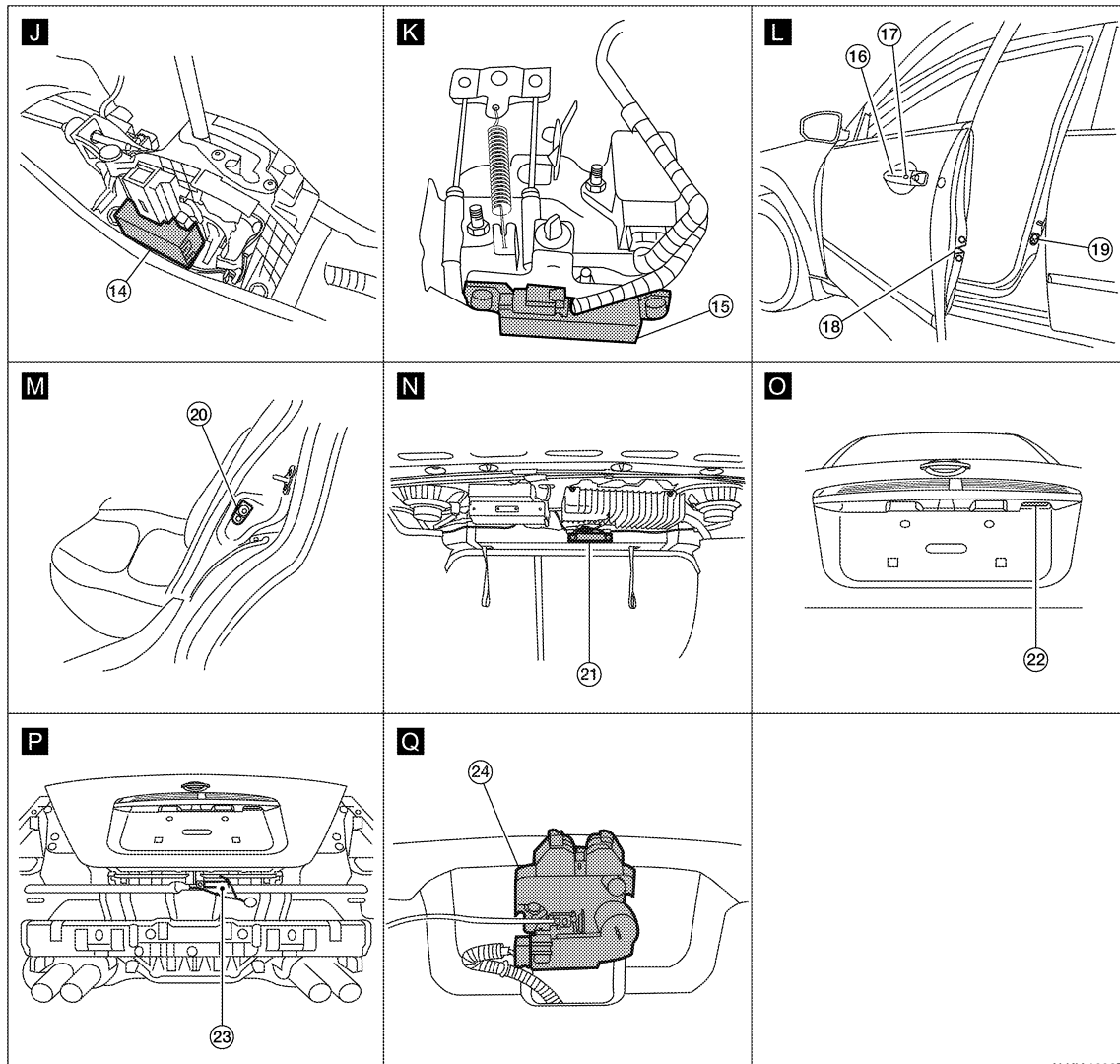
INFOID:000000005532037



ALKIA1607ZZ

TRUNK OPEN FUNCTION

< FUNCTION DIAGNOSIS >



ALKIA1608ZZ

- | | | |
|--|--|---|
| 1. Horn (low) E215
(view with front fender protector LH removed) | 2. Horn (high) E216 | 3. IPDM E/R E17, E18 |
| 4. Horn relay H-1 | 5. Intelligent Key warning buzzer E28 | 6. Remote keyless entry receiver M27
(view with instrument panel removed) |
| 7. Combination meter M24 | 8. BCM M16, M17, M18, M19, M20, M21
(view with instrument panel removed) | 9. Electronic steering column lock M32
(early production)
(view with instrument panel LH removed) |
| 10. Stop lamp switch E38 | 11. Instrument panel antenna M49 (early production)
(view with center console assembly removed) | 12. Push button ignition switch M38 |
| 13. Key slot M40 | 14. CVT shift selector [park position switch (Intelligent Key system) M78 | 15. Front console antenna M41
(view with center console assembly removed) |
| 16. Front outside handle LH (outside key antenna) D6
Front outside handle RH (outside key antenna) D106 | 17. Front outside handle LH (request switch) D15
Front outside handle RH (request switch) D115 | 18. Front door lock assembly LH (door unlock sensor) D10 |

A
B
C
D
E
F
G
H
I
J
L
M
N
O
P

DLK

TRUNK OPEN FUNCTION

< FUNCTION DIAGNOSIS >

- | | | |
|--|--|---|
| 19. Front door switch LH B8
RH B108 | 20. Rear door switch LH B18
RH B116 | 21. Rear parcel shelf antenna B29 |
| 22. Trunk opener request switch T5 | 23. Rear bumper antenna B46 | 24. Trunk lamp switch and trunk release solenoid T7 |

TRUNK REQUEST SWITCH : Component Description

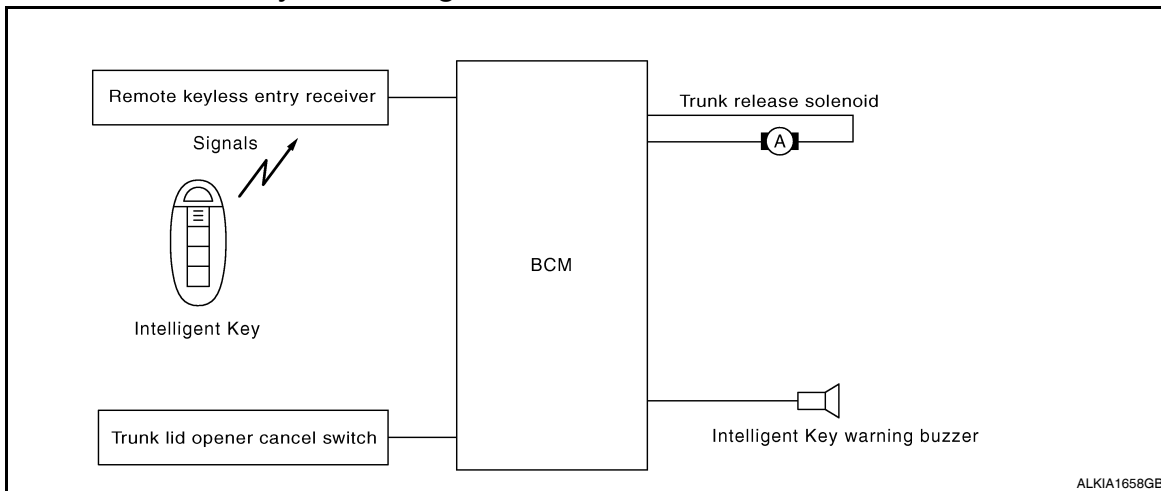
INFOID:000000005461165

Item	Function
BCM	Controls trunk open function.
Trunk release solenoid	Transmits trunk open operation to BCM.
Remote keyless entry receiver	Receives lock/unlock signal from the Intelligent Key, and then transmits to BCM.
Trunk opener request switch	Transmits trunk open operation to BCM.
Intelligent Key	Transmits button operation to remote keyless entry receiver.
Outside key antenna	Detects if Intelligent Key is outside the vehicle.
Inside key antenna	Detects if Intelligent Key is inside the vehicle.
Intelligent Key warning buzzer	Warns the user of the lock/unlock condition and inappropriate operations with the buzzer sound.

INTELLIGENT KEY

INTELLIGENT KEY : System Diagram

INFOID:000000005461166



INTELLIGENT KEY : System Description

INFOID:000000005461167

The Intelligent Key has the same functions as the remote control entry system. Therefore, it can be used in the same manner as the remote controller by operating the trunk open button.

OPERATION DESCRIPTION/TRUNK OPEN FUNCTION

- When trunk button of the Intelligent Key is pressed, the trunk open signal is transmitted from the Intelligent Key to the BCM via remote keyless entry receiver.
- When BCM receives the trunk open request signal, it operates the trunk lid opener actuator and opens the trunk.

OPERATION CONDITION

Remote controller operation	Operation condition	Operation
Trunk open	• Press and hold the trunk open button for 0.5 second or more	Trunk open

OPERATION AREA

- To ensure the Intelligent Key works effectively, use within 80 cm (31.50 inches) range of each door, however the operable range may differ according to surroundings.

HAZARD AND HORN REMINDER FUNCTION

TRUNK OPEN FUNCTION

< FUNCTION DIAGNOSIS >

When doors are locked or unlocked by Intelligent Key, BCM flashes hazard warning lamps as a reminder and transmits horn chirp signal to IPDM E/R. IPDM E/R sound horns as a reminder.
The hazard and horn reminder has a horn chirp mode (C mode) and a non-horn chirp mode (S mode).

Operating function of hazard and horn reminder

	C mode			S mode		
	Lock	Unlock	Trunk open	Lock	Unlock	Trunk open
Intelligent Key operation	Lock	Unlock	Trunk open	Lock	Unlock	Trunk open
Hazard warning lamp flash	Twice	Once	—	Twice	—	—
Horn sound	Once	—	—	—	—	—

Hazard and horn reminder does not operate if any door switch is ON (any door is OPEN).

How to change hazard and horn reminder mode

☑ With CONSULT-III

Refer to [DLK-53, "INTELLIGENT KEY : CONSULT-III Function \(BCM - INTELLIGENT KEY\)"](#).

☒ Without CONSULT-III

Refer to Owner's Manual for instructions.

LIST OF OPERATION RELATED PARTS

Parts marked with × are the parts related to operation.

Remote keyless entry functions	Intelligent Key	Key slot	Trunk room lamp switch	Trunk release solenoid	Intelligent Key warning buzzer	CAN communication system	BCM	Combination meter	Hazard warning lamps	Horns	IPDM E/R
Trunk open function by remote control button	×	×	×	×		×	×				
Hazard and horn reminder function	×				×	×	×	×	×	×	×

A
B
C
D
E
F
G
H
I
J
L
M
N
O
P

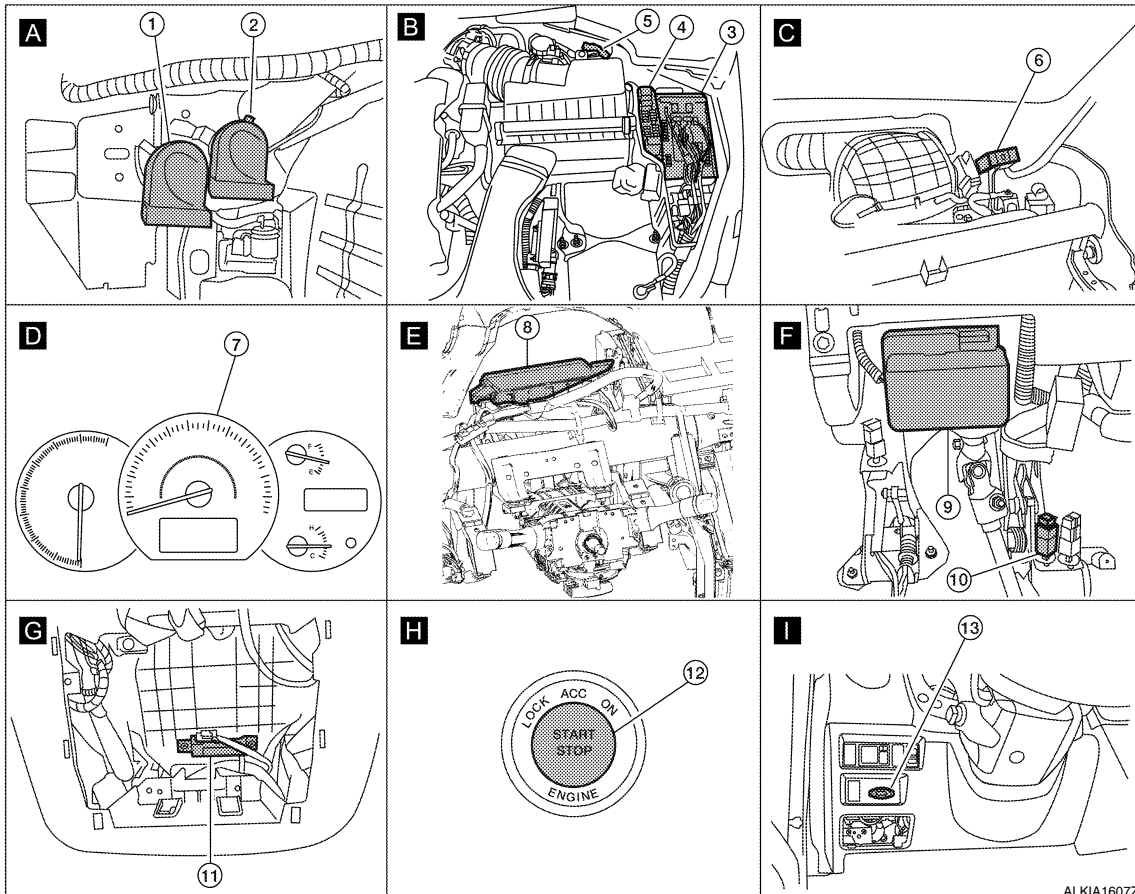
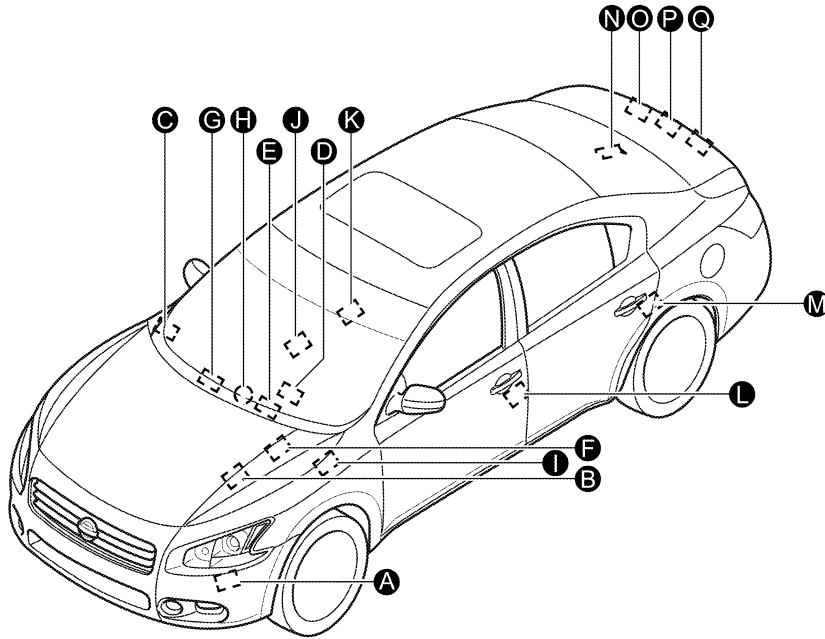
DLK

TRUNK OPEN FUNCTION

< FUNCTION DIAGNOSIS >

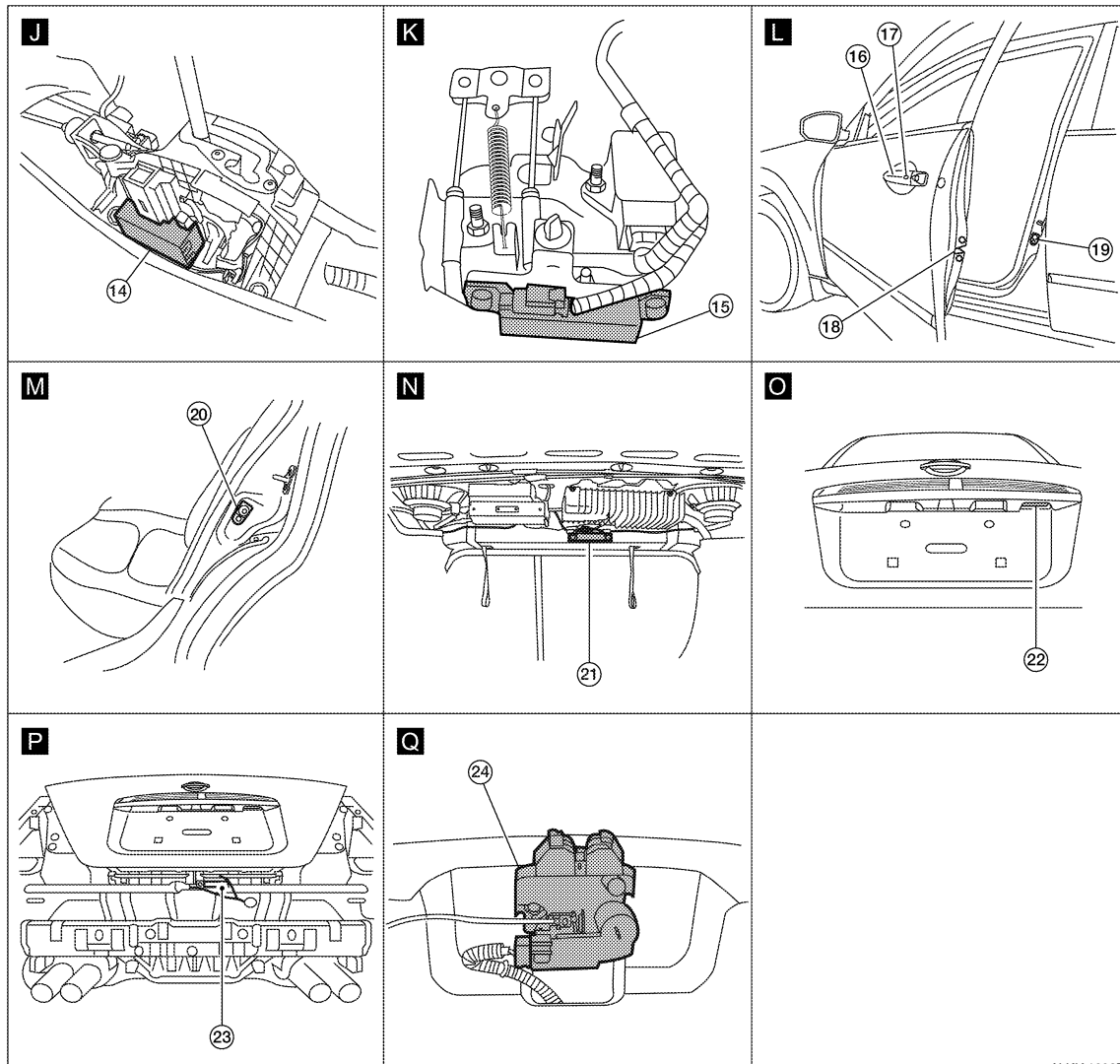
INTELLIGENT KEY : Component Parts Location

INFOID:000000005531990



TRUNK OPEN FUNCTION

< FUNCTION DIAGNOSIS >



ALKIA1608ZZ

- | | | |
|--|--|---|
| 1. Horn (low) E215
(view with front fender protector LH removed) | 2. Horn (high) E216 | 3. IPDM E/R E17, E18 |
| 4. Horn relay H-1 | 5. Intelligent Key warning buzzer E28 | 6. Remote keyless entry receiver M27
(view with instrument panel removed) |
| 7. Combination meter M24 | 8. BCM M16, M17, M18, M19, M20, M21
(view with instrument panel removed) | 9. Electronic steering column lock M32
(early production)
(view with instrument panel LH removed) |
| 10. Stop lamp switch E38 | 11. Instrument panel antenna M49 (early production)
(view with center console assembly removed) | 12. Push button ignition switch M38 |
| 13. Key slot M40 | 14. CVT shift selector [park position switch (Intelligent Key system) M78 | 15. Front console antenna M41
(view with center console assembly removed) |
| 16. Front outside handle LH (outside key antenna) D6
Front outside handle RH (outside key antenna) D106 | 17. Front outside handle LH (request switch) D15
Front outside handle RH (request switch) D115 | 18. Front door lock assembly LH (door unlock sensor) D10 |

TRUNK OPEN FUNCTION

< FUNCTION DIAGNOSIS >

- | | | |
|--|--|---|
| 19. Front door switch LH B8
RH B108 | 20. Rear door switch LH B18
RH B116 | 21. Rear parcel shelf antenna B29 |
| 22. Trunk opener request switch T5 | 23. Rear bumper antenna B46 | 24. Trunk lamp switch and trunk release solenoid T7 |

INTELLIGENT KEY : Component Description

INFOID:000000005461169

Item	Function
BCM	Controls trunk open function.
Trunk release solenoid	Opens the trunk with the open signal from BCM.
Remote keyless entry receiver	Receives trunk open signal from the Intelligent Key, and then transmits to BCM.
Intelligent Key	Transmits button operation to remote keyless entry receiver.
Intelligent Key warning buzzer	Warns the user of the lock/unlock condition and inappropriate operations with a buzzer sound.

WARNING FUNCTION

< FUNCTION DIAGNOSIS >

WARNING FUNCTION

System Description

INFOID:000000005461170

OPERATION DESCRIPTION

The warning functions are as follows and are given to the user as warning information and warnings using combinations of Intelligent Key warning buzzer, KEY warning lamp, key slot illumination and combination meter display in combination meter.

- Intelligent Key system malfunction
- OFF position warning
- P position warning
- ACC warning
- Take away warning
- Door lock operation warning
- Key warning
- Intelligent Key insert information
- Engine start information
- Steering lock information (early production)
- Intelligent Key low battery warning
- Key ID warning

OPERATION CONDITION

Once the following condition from below is established, alert or warning will be executed.

Warning/Information functions		Operation procedure
Intelligent Key system malfunction		When a malfunction is detected on BCM, "KEY" warning lamp will illuminate.
OFF position warning	For internal	<ul style="list-style-type: none"> • Ignition switch: ACC position. • Door switch (driver side): ON (door is open).
	For external	OFF position warning (For internal) is in active mode, driver side door has been closed. NOTE: OFF position (for external) active only when each of the sequence has occurred as below: P position warning → ACC warning → OFF position warning (for internal) → OFF position warning (for internal)
P position warning		<ul style="list-style-type: none"> • Shift position: Except P position • Engine is running to stopped (Ignition switch is ON to OFF)
ACC warning		<ul style="list-style-type: none"> • During P position warning is in active mode, shift position has changed P position. • Ignition switch: Except OFF position.
Take away warning	Door is open to close	<ul style="list-style-type: none"> • Ignition switch: Except LOCK position. • Door switch: ON to OFF (door is open to close). • Intelligent Key cannot be detected inside the vehicle.
	Door is open	<ul style="list-style-type: none"> • Door switch: ON (Door is open) • Key ID verification every 5 seconds when registered Intelligent Key cannot be detected inside the vehicle.
	Push-ignition switch operation	<ul style="list-style-type: none"> • Ignition switch: Except LOCK position. • Press ignition switch. • Intelligent Key can not be detected inside the vehicle.
	Take away through window	<ul style="list-style-type: none"> • Engine is running. • Key ID verification every 30 seconds when registered Intelligent Key cannot be detected inside the vehicle. • After vehicle speed verification, the registered Intelligent Key cannot be detected inside the vehicle.
	Intelligent Key is removed from key slot	<ul style="list-style-type: none"> • When Intelligent Key is removed from key slot, Intelligent Key cannot be detected inside the vehicle.

WARNING FUNCTION


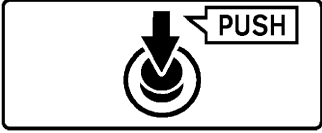
< FUNCTION DIAGNOSIS >

Warning/Information functions		Operation procedure
Door lock operation warning	Request switch operation	When request switch is pushed (lock operation) under the following conditions. <ul style="list-style-type: none"> • Door switch: ON (any door is open). • Intelligent Key is inside vehicle.
	Intelligent Key button operation	When Intelligent Key button is pushed (lock operation) under the following conditions. <ul style="list-style-type: none"> • Door switch: ON (any door is open). • For 3 seconds after Intelligent Key is removed from key slot.
Key warning		<ul style="list-style-type: none"> • Ignition switch is in OFF position. • Driver side door switch: ON (driver side door is open). • Intelligent Key is inserted in key slot.
Intelligent Key insert information		<ul style="list-style-type: none"> • Door switch: ON to OFF (door is open to close). • Ignition switch: OFF to ON position. • Intelligent Key is out of key slot. • Intelligent Key cannot be detected inside the vehicle.
Engine start information	Ignition switch is in ON position	<ul style="list-style-type: none"> • Ignition switch: ON position. • Shift position: P position • Engine is stopped
	Ignition switch is except ON position	<ul style="list-style-type: none"> • Ignition switch: Except ON position. • Shift position: P position • Intelligent Key is inserted in key slot. • Intelligent Key can be detected inside the vehicle.
Steering lock information (early production)		When steering lock cannot be released after ignition switch is turned ON.
Intelligent Key low battery warning		When Intelligent Key has low battery, it is detected by BCM after ignition switch is turned ON.
Key ID warning		When registered intelligent Key cannot be detected inside the vehicle after ignition switch is turned ON.

WARNING METHOD






The following table shows the alarm or warning methods with chime.

Meter display, "KEY" indicator or key slot illumination when the warning conditions are met.

Warning/Information functions	"KEY" warning lamp	Combination meter display	Key slot illumination	Warning chime	
				Combination meter buzzer	Intelligent Key warning buzzer
Intelligent Key system malfunction	Illuminate	—	—	—	—
OFF position warning	For internal	—	—	Activate	—
	For external	—	—	—	Activate
P position warning	—	 JMKIA0037GB	—	Activate	—
ACC warning	—	 JMKIA0047GB	—	Activate	—

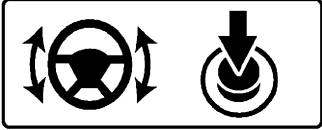

WARNING FUNCTION

< FUNCTION DIAGNOSIS >

Warning/Information functions		"KEY" warning lamp	Combination meter display	Key slot illumination	Warning chime		
					Combination meter buzzer	Intelligent Key warning buzzer	
Take away warning	Door is open to close	—	 <small>JMKIA0036GB</small>	Flash	Activate	Activate	A
	Door is open	—		Flash	—	—	B
	Push-ignition switch operation	—		Flash	Activate	—	C
	Take away through window	—		Flash	Activate	—	D
	Intelligent Key is removed from key slot	—		Flash	—	—	E
Door lock operation warning	Request switch operation	—	—	—	—	Activate	F
	Intelligent Key operation	—	—	—	—	Activate	F
Key ID warning		—	 <small>JMKIA0036GB</small>	—	—	—	G
Key warning		—	 <small>JMKIA0035GB</small>	Flash	Activate	—	H
Intelligent Key insert information		—	 <small>JMKIA0034GB</small>	Flash	—	—	I
Engine start information	Automatic transmission models	—	 <small>JMKIA0032GB</small>	—	—	—	J
							DLK
							L
							M
							N
							O
							P

WARNING FUNCTION

< FUNCTION DIAGNOSIS >

Warning/Information functions	"KEY" warning lamp	Combination meter display	Key slot illumination	Warning chime	
				Combination meter buzzer	Intelligent Key warning buzzer
Steering lock information (early production)	—	 <small>JMKIA0033GB</small>	—	—	—
Intelligent Key low battery warning	—	 <small>JMKIA0048GB</small>	—	—	—

LIST OF OPERATION RELATED PARTS

Parts marked with × are the parts related to operation.

Warning function		Intelligent Key	Key slot	Ignition switch	Door switch	Door request switch	Inside key antenna	Outside key antenna	Intelligent Key warning buzzer	Combination meter warning buzzer	CAN communication system	BCM	Combination meter display	Key slot illumination	Park position switch	"KEY" warning lamp
Intelligent Key system malfunction											×	×				×
OFF position warning	For internal				×					×	×	×				
	For external				×				×		×	×				
P position warning				×						×	×	×	×		×	
ACC warning				×						×	×	×	×		×	
Take away warning	Door is open or close	×			×		×		×	×	×	×	×	×		
	Door is open	×			×		×				×	×	×	×		
	Push-ignition switch operation	×		×			×			×	×	×	×	×		
	Take away through window	×					×			×	×	×	×	×		
	Intelligent Key is removed from key slot	×	×				×				×	×	×	×		
Door lock operation warning		×	×		×	×	×	×	×		×	×				
Key ID warning		×	×	×			×				×	×	×			
Key warning		×	×		×				×	×	×	×	×	×		
Intelligent Key insert information		×	×	×	×		×				×	×	×	×		

WARNING FUNCTION

< FUNCTION DIAGNOSIS >

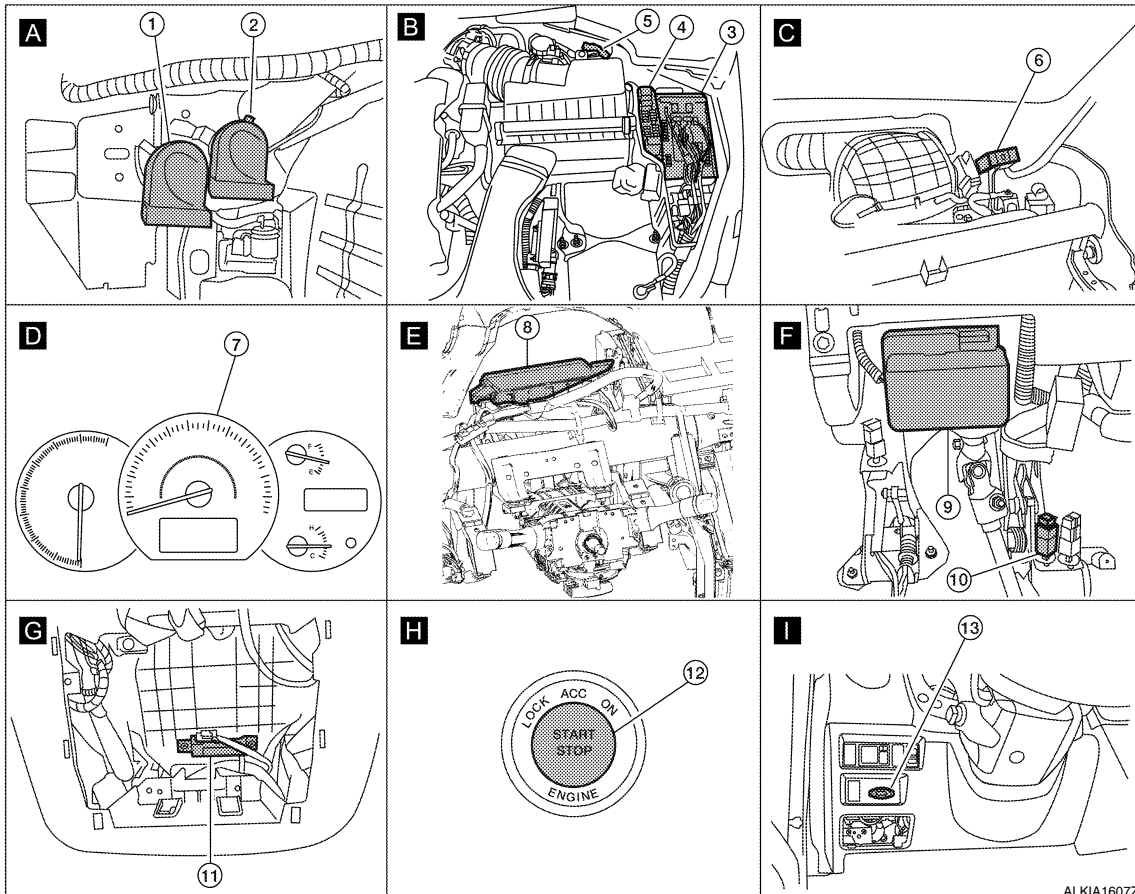
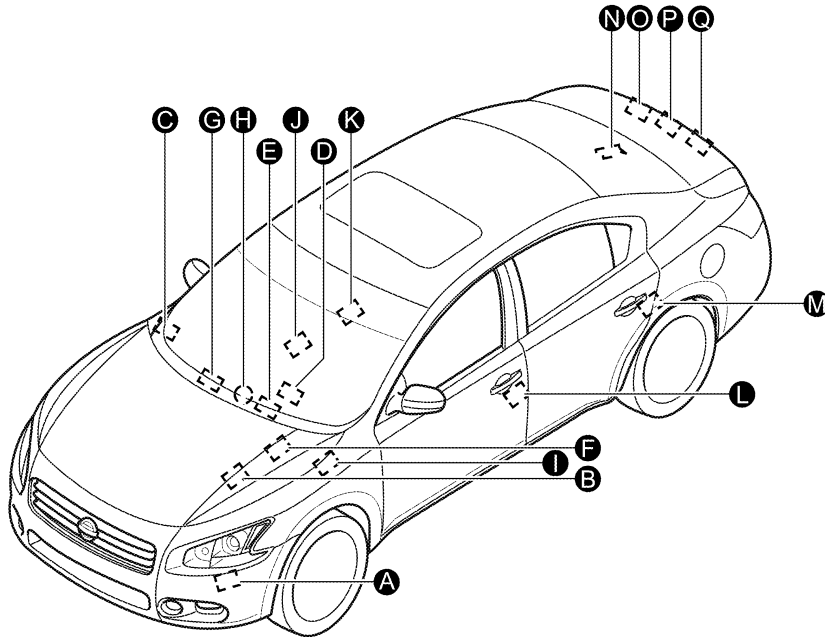
Warning function		Intelligent Key	Key slot	Ignition switch	Door switch	Door request switch	Inside key antenna	Outside key antenna	Intelligent Key warning buzzer	Combination meter warning buzzer	CAN communication system	BCM	Combination meter display	Key slot illumination	Park position switch	"KEY" warning lamp	A
Engine start information	Ignition switch is in ON position	x	x	x			x				x	x	x		x		B
	Ignition switch is in any position except ON position	x	x	x			x				x	x	x				C
Steering lock information (early production)				x							x	x	x				D
Intelligent Key low battery warning		x					x				x	x	x				E
																	F
																	G
																	H
																	I
																	J
																	DLK
																	L
																	M
																	N
																	O
																	P

WARNING FUNCTION

< FUNCTION DIAGNOSIS >

Component Parts Location

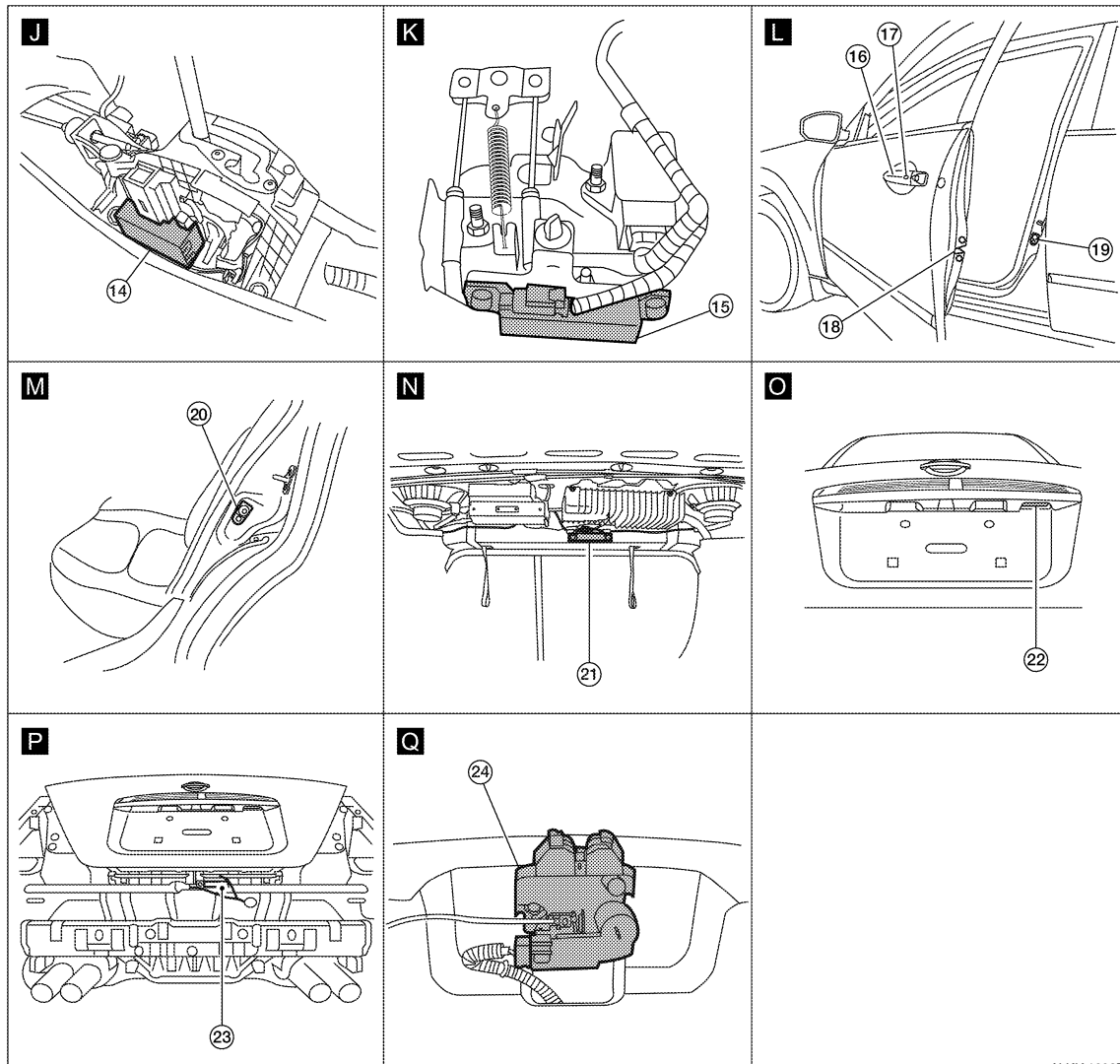
INFOID:000000005531991



ALKIA1607ZZ

WARNING FUNCTION

< FUNCTION DIAGNOSIS >



ALKIA1608ZZ

- | | | |
|--|--|---|
| 1. Horn (low) E215
(view with front fender protector LH removed) | 2. Horn (high) E216 | 3. IPDM E/R E17, E18 |
| 4. Horn relay H-1 | 5. Intelligent Key warning buzzer E28 | 6. Remote keyless entry receiver M27
(view with instrument panel removed) |
| 7. Combination meter M24 | 8. BCM M16, M17, M18, M19, M20, M21
(view with instrument panel removed) | 9. Electronic steering column lock M32
(early production)
(view with instrument panel LH removed) |
| 10. Stop lamp switch E38 | 11. Instrument panel antenna M49 (early production)
(view with center console assembly removed) | 12. Push button ignition switch M38 |
| 13. Key slot M40 | 14. CVT shift selector [park position switch (Intelligent Key system) M78 | 15. Front console antenna M41
(view with center console assembly removed) |
| 16. Front outside handle LH (outside key antenna) D6
Front outside handle RH (outside key antenna) D106 | 17. Front outside handle LH (request switch) D15
Front outside handle RH (request switch) D115 | 18. Front door lock assembly LH (door unlock sensor) D10 |

WARNING FUNCTION

< FUNCTION DIAGNOSIS >

- | | | |
|--|--|---|
| 19. Front door switch LH B8
RH B108 | 20. Rear door switch LH B18
RH B116 | 21. Rear parcel shelf antenna B29 |
| 22. Trunk opener request switch T5 | 23. Rear bumper antenna B46 | 24. Trunk lamp switch and trunk release solenoid T7 |

KEY REMINDER FUNCTION

< FUNCTION DIAGNOSIS >

KEY REMINDER FUNCTION

System Description

INFOID:000000005461172

Key reminder is the function that prevents the key from being left in the vehicle. Key reminder has the following 3 functions.

Key reminder function	Operation condition	Operation
Driver door closed*	Right after driver side door is closed under the following conditions <ul style="list-style-type: none">• Door lock operation is performed• Driver side door is opened• Driver side door is in unlock state	All doors unlock
Door is open or closed	Right after all doors are closed under the following conditions <ul style="list-style-type: none">• Intelligent Key is inside the vehicle• Any door is opened• All doors are locked by door lock and unlock switch or door lock knob	<ul style="list-style-type: none">• All doors unlock• Sounds Intelligent Key warning buzzer
Trunk is closed	Right after trunk is closed under the following conditions <ul style="list-style-type: none">• Intelligent Key is inside trunk room• All doors are closed• All doors are locked	<ul style="list-style-type: none">• Trunk open• Sounds Intelligent Key warning buzzer

*:If the door closing impact shocks the door lock knob, or contacts against baggage with the door lock knob, it might activate the door locks accidentally but unlock operation will be performed in these cases.

CAUTION:

- **The above function operates when the Intelligent Key is inside the vehicle. However, there may be times when the Intelligent Key cannot be detected, and this function will not operate when the Intelligent Key is on the instrument panel, rear parcel shelf, or in the glove box. Also, this system sometimes does not operate if the Intelligent Key is in the door pocket for the open door.**
- **The key reminder function is operated when the trunk is open/closed and the buzzers sound. If the following operations are performed, the key reminder function is cleared and buzzer sounds are stopped.**
 - Remote controller door lock button operation of Intelligent Key
 - Remote controller door unlock button operation of Intelligent Key
 - When the trunk is closed, and the Intelligent Key is not inside the vehicle
 - When any door is open

A
B
C
D
E
F
G
H
I
J
L
M
N
O
P

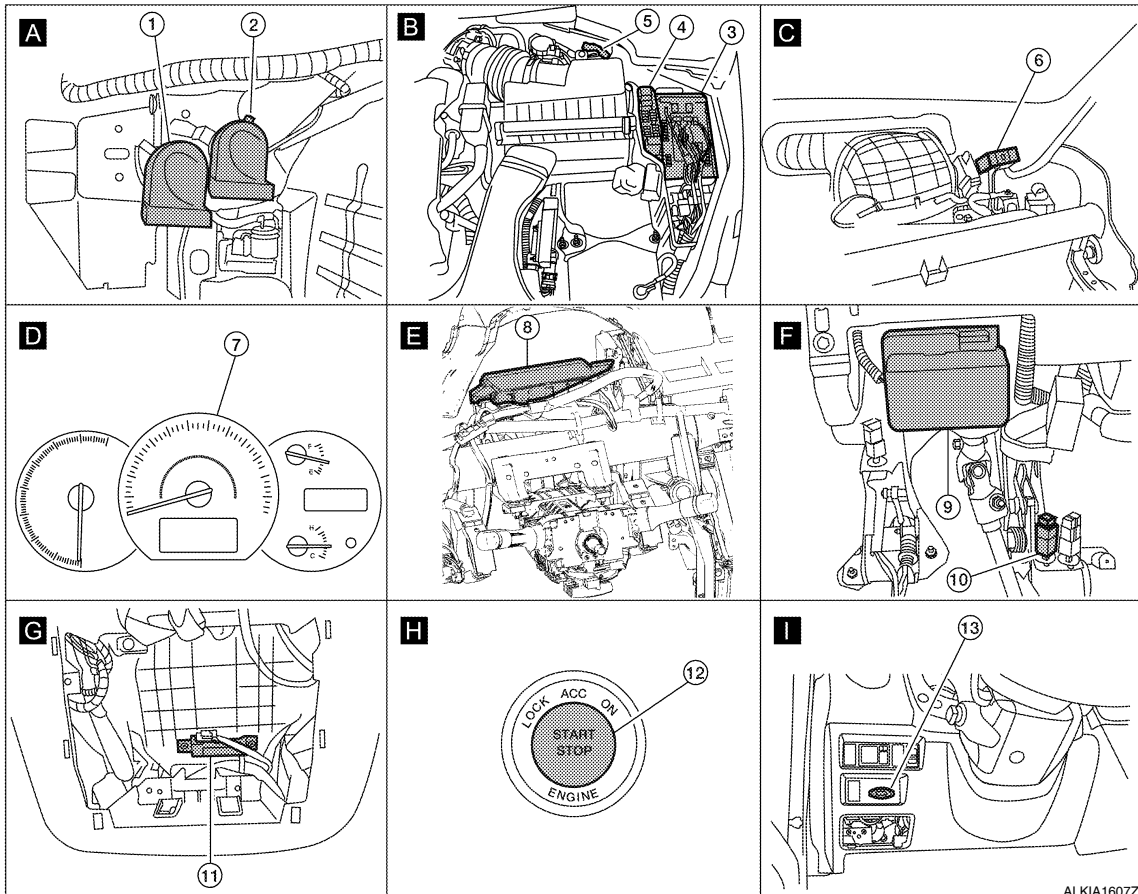
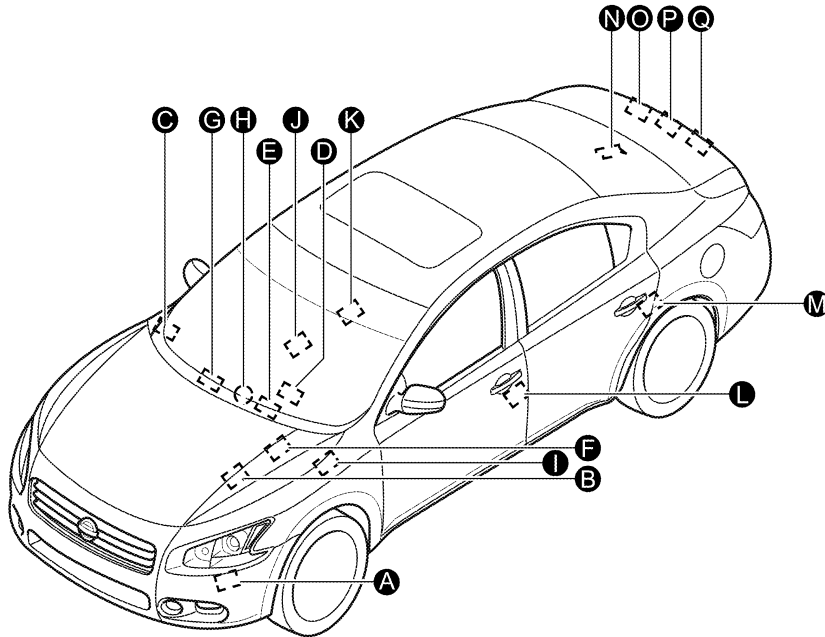
DLK

KEY REMINDER FUNCTION

< FUNCTION DIAGNOSIS >

Component Parts Location

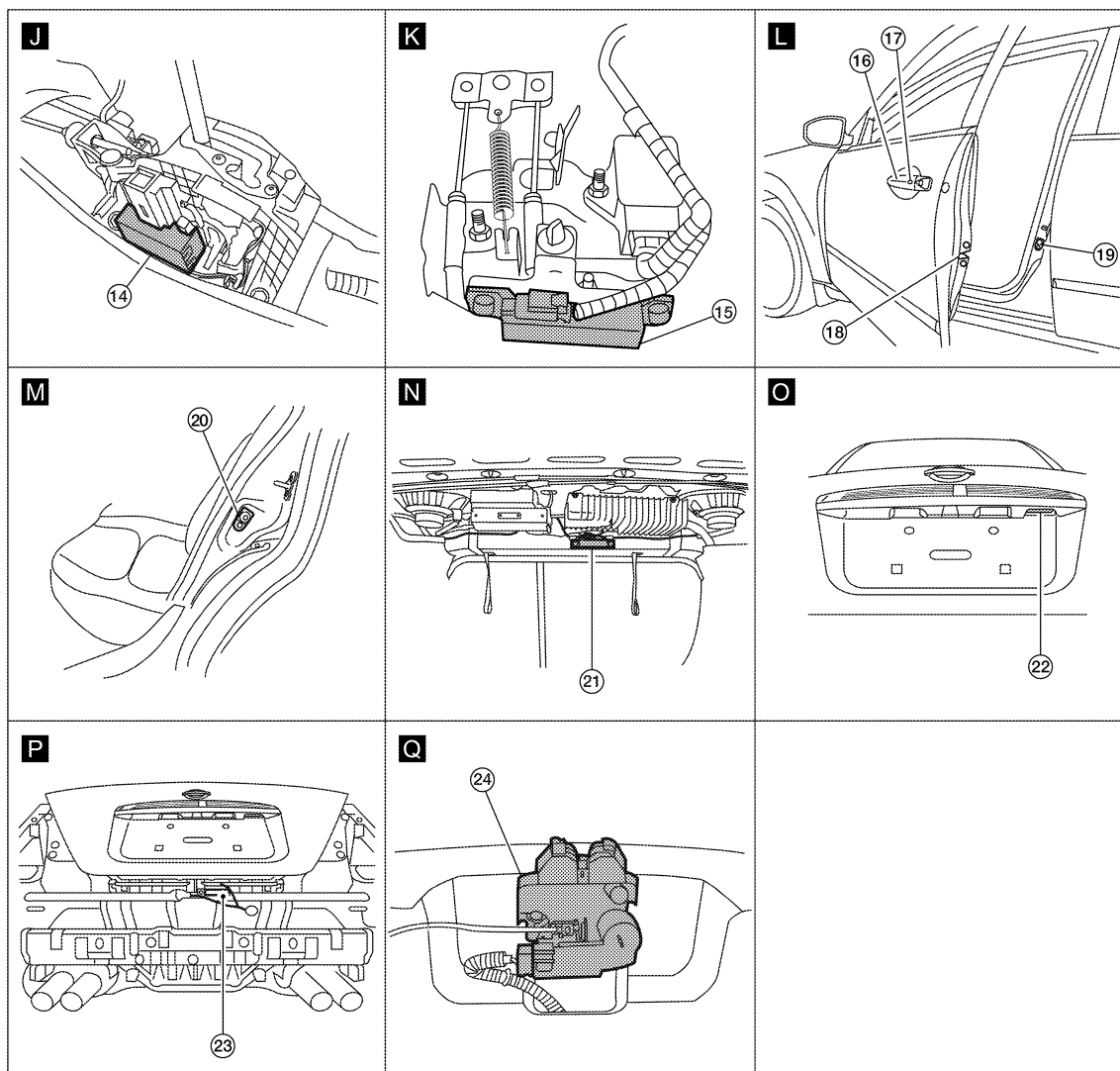
INFOID:000000005531992



ALKIA1607ZZ

KEY REMINDER FUNCTION

< FUNCTION DIAGNOSIS >



ALKIA1608ZZ

- | | | |
|--|--|---|
| 1. Horn (low) E215
(view with front fender protector LH removed) | 2. Horn (high) E216 | 3. IPDM E/R E17, E18 |
| 4. Horn relay H-1 | 5. Intelligent Key warning buzzer E28 | 6. Remote keyless entry receiver M27
(view with instrument panel removed) |
| 7. Combination meter M24 | 8. BCM M16, M17, M18, M19, M20, M21
(view with instrument panel removed) | 9. Electronic steering column lock M32
(early production)
(view with instrument panel LH removed) |
| 10. Stop lamp switch E38 | 11. Instrument panel antenna M49 (early production)
(view with center console assembly removed) | 12. Push button ignition switch M38 |
| 13. Key slot M40 | 14. CVT shift selector [park position switch (Intelligent Key system) M78 | 15. Front console antenna M41
(view with center console assembly removed) |
| 16. Front outside handle LH (outside key antenna) D6
Front outside handle RH (outside key antenna) D106 | 17. Front outside handle LH (request switch) D15
Front outside handle RH (request switch) D115 | 18. Front door lock assembly LH (door unlock sensor) D10 |

A
B
C
D
E
F
G
H
I
J

DLK

L
M
N
O
P

KEY REMINDER FUNCTION

< FUNCTION DIAGNOSIS >

- | | | |
|--|--|---|
| 19. Front door switch LH B8
RH B108 | 20. Rear door switch LH B18
RH B116 | 21. Rear parcel shelf antenna B29 |
| 22. Trunk opener request switch T5 | 23. Rear bumper antenna B46 | 24. Trunk lamp switch and trunk release solenoid T7 |

HOMELINK UNIVERSAL TRANSCEIVER

< FUNCTION DIAGNOSIS >

HOMELINK UNIVERSAL TRANSCEIVER

Component Description

INFOID:000000005461174

Item	Function	Reference page
Homelink universal transceiver	A maximum of 3 radio signals can be stored and transmitted to operate the garage door, etc.	Refer to Owner's Manual

A
B
C
D
E
F
G
H
I
J
DLK
L
M
N
O
P

DIAGNOSIS SYSTEM (BCM)

< FUNCTION DIAGNOSIS >

DIAGNOSIS SYSTEM (BCM)

COMMON ITEM

COMMON ITEM : Diagnosis Description

INFOID:000000005532012

BCM CONSULT-III FUNCTION

CONSULT-III performs the following functions via CAN communication with BCM.

Diagnosis mode	Function Description
WORK SUPPORT	Changes the setting for each system function.
SELF DIAGNOSTIC RESULT	Displays the diagnosis results judged by BCM.
CAN DIAG SUPPORT MNTR	Monitors the reception status of CAN communication viewed from BCM.
DATA MONITOR	The BCM input/output signals are displayed.
ACTIVE TEST	The signals used to activate each device are forcibly supplied from BCM.
ECU IDENTIFICATION	The BCM part number is displayed.
CONFIGURATION	<ul style="list-style-type: none"> Enables to read and save the vehicle specification. Enables to write the vehicle specification when replacing BCM.

SYSTEM APPLICATION

BCM can perform the following functions for each system.

NOTE:

It can perform the diagnosis modes except the following for all sub system selection items.

System	Sub system selection item	Diagnosis mode		
		WORK SUPPORT	DATA MONITOR	ACTIVE TEST
Door lock	DOOR LOCK	×	×	×
Rear window defogger	REAR DEFOGGER		×	×
Warning chime	BUZZER		×	×
Interior room lamp timer	INT LAMP	×	×	×
Exterior lamp	HEADLAMP	×	×	×
Wiper and washer	WIPER	×	×	×
Turn signal and hazard warning lamps	FLASHER	×	×	×
Intelligent Key system	INTELLIGENT KEY	×	×	×
Combination switch	COMB SW		×	
BCM	BCM	×		
Immobilizer	IMMU		×	×
Interior room lamp battery saver	BATTERY SAVER	×	×	×
Trunk open	TRUNK		×	×
Vehicle security system	THEFT ALM	×	×	×
RAP system	RETAINED PWR		×	
Signal buffer system	SIGNAL BUFFER		×	×
TPMS	AIR PRESSURE MONITOR	×	×	×

COMMON ITEM : CONSULT-III Function

INFOID:000000005532013

ECU IDENTIFICATION

Displays the BCM part No.

SELF-DIAG RESULT

Refer to [BCS-81, "DTC Index"](#).

DOOR LOCK

DIAGNOSIS SYSTEM (BCM)

< FUNCTION DIAGNOSIS >

DOOR LOCK : CONSULT-III Function (BCM - DOOR LOCK)

INFOID:000000005532014

WORK SUPPORT

Work Item	Description
DOOR LOCK-UNLOCK SET	<ul style="list-style-type: none">• ON• OFF
AUTOMATIC DOOR LOCK SELECT	<ul style="list-style-type: none">• P RANGE• VH SPD
AUTOMATIC DOOR UNLOCK SELECT	<ul style="list-style-type: none">• MODE1• MODE2• MODE3• MODE4
AUTOMATIC LOCK/UNLOCK SELECT	<ul style="list-style-type: none">• Lock/Unlock• Lock Only• Unlock Only• Off

DATA MONITOR

Monitor Item [Unit]	Description
REQ SW-DR [ON/OFF]	Indicates condition of door request switch LH
REQ SW-AS [ON/OFF]	Indicates condition of door request switch RH
REQ SW-BD/TR [ON/OFF]	Indicates condition of trunk request switch
DOOR SW-DR [ON/OFF]	Indicates condition of front door switch LH
DOOR SW-AS [ON/OFF]	Indicates condition of front door switch RH
DOOR SW-RR [ON/OFF]	Indicates condition of rear door switch RH
DOOR SW-RL [ON/OFF]	Indicates condition of rear door switch LH
DOOR SW-BK [ON/OFF]	Indicates condition of trunk switch
CDL LOCK SW [ON/OFF]	Indicates condition of door lock and unlock switch
CDL UNLOCK SW [ON/OFF]	Indicates condition of door lock and unlock switch
KEY CYL LK-SW [ON/OFF]	Indicates condition of lock signal from door key cylinder switch
KEY CYL UN-SW [ON/OFF]	Indicates condition of unlock signal from door key cylinder switch

ACTIVE TEST

Test Item	Description
DOOR LOCK	This test is able to check door lock operation [ALL LCK/ALL UNLK/DR UNLK/AS UNLK/OTR ULK].

INTELLIGENT KEY

INTELLIGENT KEY : CONSULT-III Function (BCM - INTELLIGENT KEY)

INFOID:000000005532016

WORK SUPPORT

Monitor item	Description
CONFIRM KEY FOB ID	It can be checked whether Intelligent Key ID code is registered or not in this mode.
AUTO LOCK SET	Auto door lock time can be changed in this mode. <ul style="list-style-type: none">• MODE 1: 1 minute• MODE 2: 5 minutes• MODE 3: 30 seconds• MODE 4: 2 minutes

DIAGNOSIS SYSTEM (BCM)

< FUNCTION DIAGNOSIS >

Monitor item	Description
LOCK/UNLOCK BY I-KEY	Door lock/unlock function by door request switch (driver side, passenger side and trunk) mode can be changed to operate (ON) or not operate (OFF) with this mode.
ENGINE START BY I-KEY	Engine start function mode can be changed to operate (ON) or not operate (OFF) with this mode.
TRUNK/GLASS HATCH OPEN	Buzzer reminder function mode by trunk opener request switch can be changed to operate (ON) or not operate (OFF) with this mode.
PANIC ALARM SET	Panic alarm button pressing time on Intelligent Key remote control button can be selected from the following with this mode. <ul style="list-style-type: none"> • MODE 1: 0.5 sec. • MODE 2: OFF: Non-operation • MODE 3: 1.5 sec.
PW DOWN SET	Unlock button pressing time on Intelligent Key button to lower front windows can be selected from the following with this mode. <ul style="list-style-type: none"> • MODE 1: 3 sec. • MODE 2: OFF: Non-operation • MODE 3: 5 sec.
TRUNK OPEN DELAY	Trunk button pressing time on Intelligent Key button can be selected from the following with this mode. <ul style="list-style-type: none"> • MODE 1: 0.5 sec. • MODE 2: OFF: No delay • MODE 3: 1.5 sec.
LO- BATT OF KEY FOB WARN	Intelligent Key low battery warning mode can be changed to operate (ON) or not operate (OFF) with this mode.
ANTI KEY LOCK IN FUNCTI	Key reminder function mode can be changed to operate (ON) or not operate (OFF) with this mode.
HAZARD ANSWER BACK	Hazard reminder function mode can be selected from the following with this mode. <ul style="list-style-type: none"> • LOCK ONLY: Door lock operation only • UNLOCK ONLY: Door unlock operation only • LOCK AND UNLOCK: Lock/unlock operation • OFF: Non operation
ANS BACK I-KEY LOCK	Buzzer reminder function (lock operation) mode by door request switch (driver side and passenger side) can be selected from the following with this mode. <ul style="list-style-type: none"> • HORN CHIRP: Sound horn • BUZZER: Sound Intelligent Key warning buzzer • OFF: Non-operation
ANS BACK I-KEY UNLOCK	Buzzer reminder function (unlock operation) mode by door request switch can be changed to operate (ON) or not operate (OFF) with this mode.
SHORT CRANKING OUTPUT	Starter motor can operate during the times below. <ul style="list-style-type: none"> • 70 msec • 100 msec • 200 msec
INSIDE ANT DIAGNOSIS	This function allows inside key antenna self-diagnosis.
HORN WITH KEYLESS LOCK	Horn reminder function mode by Intelligent Key button can be changed to operate (ON) or not operate (OFF) with this mode.

SELF-DIAG RESULT

Refer to [BCS-81, "DTC Index"](#).

DATA MONITOR

Monitor Item	Condition
REQ SW-DR	Indicates [ON/OFF] condition of door request switch (driver side).
REQ SW-AS	Indicates [ON/OFF] condition of door request switch (passenger side).
REQ SW-BD/TR	Indicates [ON/OFF] condition of trunk opener request switch.
PUSH SW	Indicates [ON/OFF] condition of push button ignition switch.
IGN RLY2-F/B	Indicates [ON/OFF] condition of ignition relay 2.
ACC RLY-F/B	Indicates [ON/OFF] condition of accessory relay.

DIAGNOSIS SYSTEM (BCM)

< FUNCTION DIAGNOSIS >

Monitor Item	Condition
BRAKE SW 1	Indicates [ON/OFF] condition of brake switch.
BRAKE SW 2	Indicates [ON/OFF] condition of brake switch.
DETE/CANCL SW	Indicates [ON/OFF] condition of P position.
SFT PN/N SW	Indicates [ON/OFF] condition of P or N position.
S/L -LOCK*	Indicates [ON/OFF] condition of steering lock (LOCK).
S/L -UNLOCK*	Indicates [ON/OFF] condition of steering lock (UNLOCK).
S/L RELAY-F/B*	Indicates [ON/OFF] condition of ignition switch.
UNLK SEN-DR	Indicates [ON/OFF] condition of driver door UNLOCK status.
PUSH SW -IPDM	Indicates [ON/OFF] condition of push button ignition switch from IPDM E/R via CAN.
IGN RLY1-F/B	Indicates [ON/OFF] condition of ignition relay 1 from IPDM E/R via CAN.
DETE SW -IPDM	Indicates [ON/OFF] condition of P position from TCM via CAN.
SFT PN -IPDM	Indicates [ON/OFF] condition of P or N position from TCM via CAN.
SFT P -MET	Indicates [ON/OFF] condition of P position from TCM via CAN.
SFT N -MET	Indicates [ON/OFF] condition of N position from IPDM E/R via CAN.
ENGINE STATE	Indicates [STOP/START/CRANK/RUN] condition of engine states from ECM via CAN.
S/L LOCK-IPDM*	Indicates [ON/OFF] condition of steering lock (LOCK) request from IPDM E/R via CAN.
S/L UNLK-IPDM*	Indicates [ON/OFF] condition of steering lock (UNLOCK) request from IPDM E/R via CAN.
S/L RELAY-REQ*	Indicates [ON/OFF] condition of steering lock relay from IPDM E/R via CAN.
VEH SPEED 1	Display the vehicle speed signal received from combination meter by numerical value [km/h].
VEH SPEED 2	Display the vehicle speed signal received from ABS or VDC or CVT by numerical value [km/h].
DOOR STAT-DR	Indicates [LOCK/READY/UNLK] condition of driver side door status.
DOOR STAT-AS	Indicates [LOCK/READY/UNLK] condition of passenger side door status.
ID OK FLAG	Indicates [SET/RESET] condition of key ID.
PRMT ENG STRT	Indicates [SET/RESET] condition of engine start possibility.
KEY SW -SLOT	Indicates [ON/OFF] condition of key slot.
TRNK/HAT MNTR	Indicates [ON/OFF] condition of trunk lid.
RKE-LOCK	Indicates [ON/OFF] condition of LOCK signal from Intelligent Key.
RKE-UNLOCK	Indicates [ON/OFF] condition of UNLOCK signal from Intelligent Key.
RKE-TR/BD	Indicates [ON/OFF] condition of TRUNK OPEN signal from Intelligent Key.
RKE-PANIC	Indicates [ON/OFF] condition of PANIC button of Intelligent Key.
RKE-P/W OPEN	Indicates [ON/OFF] condition of P/W DOWN signal from Intelligent Key.
RKE-MODE CHG	Indicates [ON/OFF] condition of MODE CHANGE signal from Intelligent Key.
RKE OPE COUN1	When remote keyless entry receiver receives the signal transmitted while operating on Intelligent Key, the numerical value start changing.
REVERSE SW	Indicates [ON/OFF] condition of reverse switch status.

* : With electronic steering column lock

ACTIVE TEST

Test item	Description
BATTERY SAVER	This test is able to check interior room lamp operation. The interior room lamp will be activated after "ON" on CONSULT-III screen is touched.
PW REMOTO DOWN SET	This test is able to check power window down operation. The power window down will be activated after "ON" on CONSULT-III screen is touched.
OUTSIDE BUZZER	This test is able to check Intelligent Key warning buzzer operation. Intelligent Key warning buzzer sounds when "ON" on CONSULT-III screen is touched.

DIAGNOSIS SYSTEM (BCM)

< FUNCTION DIAGNOSIS >

Test item	Description
INSIDE BUZZER	<p>This test is able to check warning chime by combination meter operation.</p> <ul style="list-style-type: none"> • Take out warning chime sounds when "TAKE OUT" on CONSULT-III screen is touched. • Key warning chime sounds when "KEY WARN" on CONSULT-III screen is touched. • P position warning chime sounds when "P RNG WARN" on CONSULT-III screen is touched. • ACC warning chime sounds when "ACC WARN" on CONSULT-III screen is touched.
INDICATOR	<p>This test is able to check warning lamp operation.</p> <ul style="list-style-type: none"> • "KEY" Warning lamp illuminates when "KEY IND ON" on CONSULT-III screen is touched. • "KEY" Warning lamp flashes when "KEY IND FSH" on CONSULT-III screen is touched.
INT LAMP	<p>This test is able to check interior room lamp operation.</p> <p>The interior room lamp will be activated after "ON" on CONSULT-III screen is touched.</p>
LCD	<p>This test is able to check meter display information</p> <ul style="list-style-type: none"> • Engine start information displays when "BRAKE/P" on CONSULT-III screen is touched. • Engine start information displays when "BRAKE/P/ON" on CONSULT-III screen is touched. • Key ID warning displays when "KEY ID NG" on CONSULT-III screen is touched. • Steering lock information displays when "STLCK RELES" on CONSULT-III screen is touched.* • P position warning displays when "P RNG IND" on CONSULT-III screen is touched. • Intelligent Key insert information displays when "INSERT KEY" on CONSULT-III screen is touched. • Intelligent Key low battery warning displays when "KEY BAT LOW" on CONSULT-III screen is touched. • Take away window warning displays when "TK AWAY WDW" on CONSULT-III screen is touched. • Take away warning display when "TAKE AWAY" on CONSULT-III screen is touched. • OFF position warning display when "IGN OFF WARN" on CONSULT-III screen is touched.
TRUNK/GLASS HATCH	<p>This test is able to check trunk lid opener actuator open operation.</p> <p>This actuator opens when "ON" on CONSULT-III screen is touched.</p>
FLASHER	<p>This test is able to check security hazard lamp operation.</p> <p>The hazard lamps will be activated after "ON" on CONSULT-III screen is touched.</p>
HORN	<p>This test is able to check horn operation.</p> <p>The horn will be activated after "ON" on CONSULT-III screen is touched.</p>
P RANGE	<p>This test is able to check CVT shift selector power supply</p> <p>CVT shift selector power is supplied when "ON" on CONSULT-III screen is touched.</p>
ENGINE SW ILLUMI	<p>This test is able to check push-ignition switch illumination operation.</p> <p>Push-ignition switch illumination illuminates when "ON" on CONSULT-III screen is touched.</p>
LOCK INDICATOR	<p>This test is able to check LOCK indicator in push-ignition switch operation.</p> <p>LOCK indicator in push-ignition switch illuminates when "ON" on CONSULT-III screen is touched.</p>
ACC INDICATOR	<p>This test is able to check ACC indicator in push-ignition switch operation.</p> <p>LOCK indicator in push-ignition switch illuminates when "ON" on CONSULT-III screen is touched.</p>
IGNITION ON IND	<p>This test is able to check INGITION ON indicator in push-ignition switch operation.</p> <p>LOCK indicator in push-ignition switch illuminates when "ON" on CONSULT-III screen is touched.</p>
KEY SLOT ILLUMI	<p>This test is able to check key slot illumination operation.</p> <p>Key slot illumination flash when "ON" on CONSULT-III screen is touched.</p>
TRUNK/BACK DOOR	<p>This test is able to check trunk lid opener actuator open operation.</p> <p>This actuator opens when "ON" on CONSULT-III screen is touched.</p>

* : With electronic steering column lock

TRUNK

TRUNK : CONSULT-III Function (BCM - TRUNK)

INFOID:000000005532017

DATA MONITOR

Monitor Item	Contents
PUSH SW	Indicates [ON/OFF] condition of push button ignition switch.
UNLK SEN -DR	Indicates [ON/OFF] condition of driver door UNLOCK status.
VEH SPEED 1	Indicates [km/h] condition of vehicle speed signal from combination meter.

DIAGNOSIS SYSTEM (BCM)

< FUNCTION DIAGNOSIS >

Monitor Item	Contents
TR CANCEL SW	Indicates [ON/OFF] condition of trunk cancel switch.
TR/BD OPEN SW	Indicates [ON/OFF] condition of trunk opener switch.
TRNK/HAT MNTR	Indicates [ON/OFF] condition of trunk lid.
RKE-TR/BD	Indicates [ON/OFF] condition of TRUNK OPEN signal from Intelligent Key.

ACTIVE TEST

Test Item	Description
TRUNK/GLASS HATCH	This test is able to check trunk open operation. Trunk opens when "OPEN" on CONSULT-III screen is touched.

A

B

C

D

E

F

G

H

I

J

DLK

L

M

N

O

P

U1000 CAN COMM CIRCUIT

< COMPONENT DIAGNOSIS >

COMPONENT DIAGNOSIS

U1000 CAN COMM CIRCUIT

Description

INFOID:000000005461180

CAN (Controller Area Network) is a serial communication line for real time applications. It is an on-vehicle multiplex communication line with high data communication speed and excellent error detection ability. Modern vehicles are equipped with many electronic control units, and each control unit shares information and links with other control units during operation (not independent). In CAN communication, control units are connected with 2 communication lines (CAN H-line, CAN L-line) allowing a high rate of information transmission with less wiring. Each control unit transmits/receives data but selectively reads required data only. CAN Communication Signal Chart. Refer to [LAN-25, "CAN Communication Signal Chart"](#).

DTC Logic

INFOID:000000005461181

DTC DETECTION LOGIC

DTC	CONSULT-III display description	DTC Detection Condition	Possible cause
U1000	CAN COMM CIRCUIT	When BCM cannot communicate CAN communication signal continuously for 2 seconds or more.	In CAN communication system, any item (or items) of the following listed below is malfunctioning. <ul style="list-style-type: none">• Transmission• Receiving (ECM)• Receiving (VDC/TCS/ABS)• Receiving (METER/M&A)• Receiving (TCM)• Receiving (MULTI AV)• Receiving (IPDM E/R)

Diagnosis Procedure

INFOID:000000005461182

1.PERFORM SELF DIAGNOSTIC

1. Turn ignition switch ON and wait for 2 seconds or more.
2. Check "Self Diagnostic Result".

Is "CAN COMM CIRCUIT" displayed?

- YES >> Refer to [LAN-16, "Trouble Diagnosis Flow Chart"](#).
NO >> Refer to [GI-39, "Intermittent Incident"](#).

U1010 CONTROL UNIT (CAN)

< COMPONENT DIAGNOSIS >

U1010 CONTROL UNIT (CAN)

DTC Logic

INFOID:000000005461183

DTC DETECTION LOGIC

DTC	CONSULT-III display description	DTC Detection Condition	Possible cause
U1010	CONTROL UNIT (CAN)	BCM detected internal CAN communication circuit malfunction.	BCM

Diagnosis Procedure

INFOID:000000005461184

1.REPLACE BCM

When DTC [U1010] is detected, replace BCM.

>> Replace BCM. Refer to [BCS-87. "Removal and Installation"](#).

Special Repair Requirement

INFOID:000000005461185

1.REQUIRED WORK WHEN REPLACING BCM

Initialize NVIS by CONSULT-III. For the details of initialization refer to CONSULT-III Operation Manual.

>> Work end.

A
B
C
D
E
F
G
H
I
J
L
M
N
O
P

DLK

B2622 INSIDE KEY ANTENNA 2

< COMPONENT DIAGNOSIS >

B2622 INSIDE KEY ANTENNA 2

Description

INFOID:000000005461189

Detects whether Intelligent Key is inside the vehicle.
Installed under the center console.

DTC Logic

INFOID:000000005461190

DTC DETECTION LOGIC

DTC No.	Trouble diagnosis name	DTC detecting condition	Possible cause
B2622	INSIDE ANTENNA 2 CIRCUIT	An excessive high or low voltage from inside antenna is sent to BCM.	<ul style="list-style-type: none">• Front console antenna• Between BCM and front console antenna.

DTC CONFIRMATION PROCEDURE

1. PERFORM DTC CONFIRMATION PROCEDURE

④ With CONSULT-III

1. Perform front console antenna INSIDE ANT DIAGNOSIS on "Work Support" of "INTELLIGENT KEY".
2. Perform "INTELLIGENT KEY" Self Diagnostic Result.

Is front console antenna DTC detected?

- YES >> Refer to [DLK-60, "Diagnosis Procedure"](#).
NO >> Front console antenna is OK.

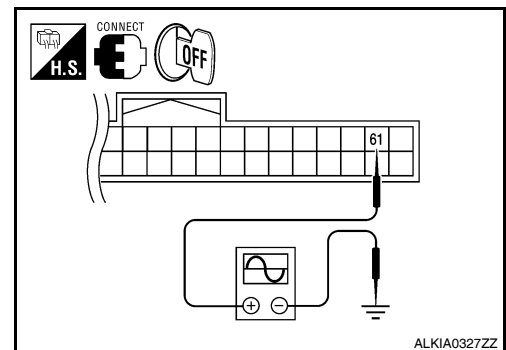
Diagnosis Procedure

INFOID:000000005461191

Regarding Wiring Diagram information, refer to [DLK-161, "Wiring Diagram — INTELLIGENT KEY SYSTEM —"](#).

1. CHECK FRONT CONSOLE ANTENNA INPUT SIGNAL 1

1. Turn ignition switch OFF.
2. Check signal between BCM connector and ground with oscilloscope.



B2622 INSIDE KEY ANTENNA 2

< COMPONENT DIAGNOSIS >

Terminals				Condition	Signal (Reference value.)
(+)		(-)			
BCM connector	Terminal				
M19	Front console antenna	61	Ground	Place Intelligent Key inside the vehicle.	
			Ground	Place Intelligent Key outside the vehicle.	

Is the inspection result normal?

- YES >> Check the condition of harness and connector.
 NO >> GO TO 2

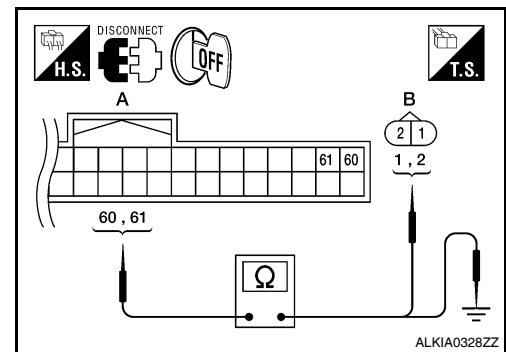
2. CHECK FRONT CONSOLE ANTENNA CIRCUIT

- Disconnect BCM and front console antenna connector.
- Check continuity between BCM connector and front console antenna connector.

BCM connector	Terminal	Front console antenna connector		Terminal	Continuity
A: M19	60	B: M41	Console	2	Yes
	61			1	

- Check continuity between BCM connector and ground.

BCM connector	Terminal	Ground	Continuity
A: M19	Console		60 61



Is the inspection result normal?

- YES >> GO TO 3
 NO >> Repair or replace harness between BCM and front console antenna.

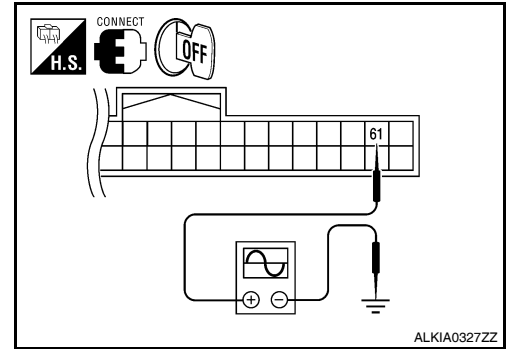
3. CHECK FRONT CONSOLE ANTENNA INPUT SIGNAL 2

- Replace front console antenna (new antenna or other antenna).
- Connect BCM and front console antenna connector.

B2622 INSIDE KEY ANTENNA 2

< COMPONENT DIAGNOSIS >

3. Check signal between BCM connector and ground with oscilloscope.



Terminals			Condition	Signal (Reference value.)	
(+)		(-)			
BCM connector	Terminal				
M19	Front console antenna	61	Ground	Place Intelligent Key inside the vehicle.	
				Place Intelligent Key outside the vehicle.	

Is the inspection result normal?

- YES >> Replace front console antenna. Refer to [IP-18, "Disassembly and Assembly"](#).
 NO >> Replace BCM. Refer to [BCS-87, "Removal and Installation"](#).

B2623 INSIDE KEY ANTENNA 3

< COMPONENT DIAGNOSIS >

B2623 INSIDE KEY ANTENNA 3

Description

INFOID:000000005461192

Detects whether Intelligent Key is inside the vehicle.
Installed in the trunk room.

DTC Logic

INFOID:000000005461193

DTC DETECTION LOGIC

DTC No.	Trouble diagnosis name	DTC detecting condition	Possible cause
B2623	INSIDE ANTENNA 3 CIRCUIT	An excessive high or low voltage from rear parcel shelf antenna is sent to BCM.	<ul style="list-style-type: none">rear parcel shelf antennaBetween BCM and rear parcel shelf antenna

DTC CONFIRMATION PROCEDURE

1. PERFORM DTC CONFIRMATION PROCEDURE

Ⓜ With CONSULT-III

- Perform rear parcel shelf antenna INSIDE ANT DIAGNOSIS on "Work Support" of "INTELLIGENT KEY".
- Perform "INTELLIGENT KEY" Self Diagnostic Result.

Is rear parcel shelf antenna DTC detected?

- YES >> Refer to [DLK-63, "Diagnosis Procedure"](#).
NO >> Rear parcel shelf antenna is OK.

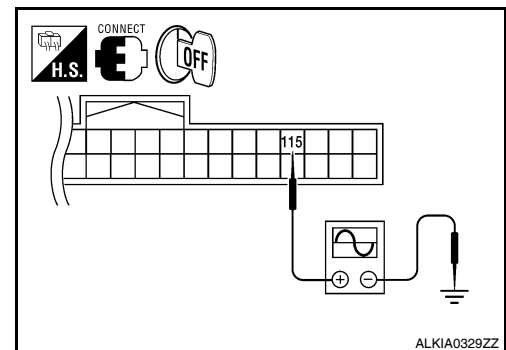
Diagnosis Procedure

INFOID:000000005461194

Regarding Wiring Diagram information, refer to [DLK-161, "Wiring Diagram — INTELLIGENT KEY SYSTEM —"](#).

1. CHECK REAR PARCEL SHELF ANTENNA INPUT SIGNAL 1

- Turn ignition switch OFF.
- Check signal between BCM connector and ground with oscilloscope.



B2623 INSIDE KEY ANTENNA 3

< COMPONENT DIAGNOSIS >

Terminals				Condition	Signal (Reference value.)
(+)		(-)			
BCM connector	Terminal				
M21	Rear parcel shelf antenna	115	Ground	Place Intelligent Key inside the vehicle.	<p style="text-align: right;">JMKIA0062GB</p>
				Place Intelligent Key outside the vehicle.	<p style="text-align: right;">JMKIA0063GB</p>

Is the inspection result normal?

- YES >> Check the condition of harness and connector.
 NO >> GO TO 2

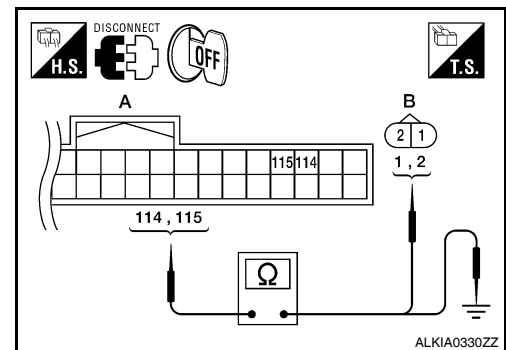
2. CHECK REAR PARCEL SHELF ANTENNA CIRCUIT

1. Disconnect BCM and rear parcel shelf antenna connector.
2. Check continuity between BCM connector and rear parcel shelf antenna connector.

BCM connector	Terminal	Rear parcel shelf antenna connector		Terminal	Continuity
A: M21	114	B: B29	Trunk room	2	Yes
	115			1	

3. Check continuity between BCM connector and ground.

BCM connector		Terminal	Ground	Continuity
A: M21	Trunk room	114		
		115		



Is the inspection result normal?

- YES >> GO TO 3
 NO >> Repair or replace harness between BCM and rear parcel shelf antenna.

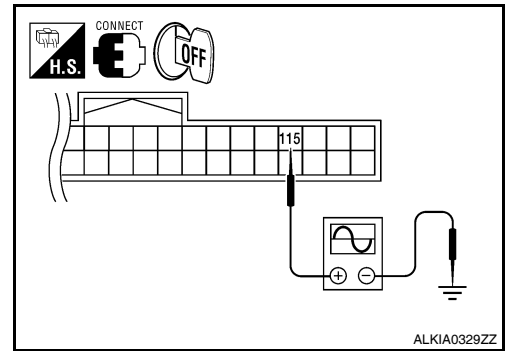
3. CHECK REAR PARCEL SHELF ANTENNA INPUT SIGNAL 2

1. Replace rear parcel shelf antenna (new antenna or other antenna).
2. Connect BCM and rear parcel shelf antenna connector.

B2623 INSIDE KEY ANTENNA 3

< COMPONENT DIAGNOSIS >

3. Check signal between BCM connector and ground with oscilloscope.



Terminals			Condition	Signal (Reference value.)	
(+)		(-)			
BCM connector	Terminal				
M21	Trunk room	115	Ground	Place Intelligent Key inside the vehicle.	
				Place Intelligent Key outside the vehicle.	

Is the inspection result normal?

- YES >> Replace rear parcel shelf antenna. Refer to [INT-26, "Removal and Installation"](#).
 NO >> Replace BCM. Refer to [BCS-87, "Removal and Installation"](#).

A
B
C
D
E
F
G
H
I
J
L
M
N
O
P

DLK

POWER SUPPLY AND GROUND CIRCUIT

< COMPONENT DIAGNOSIS >

POWER SUPPLY AND GROUND CIRCUIT

Diagnosis Procedure

INFOID:000000005532021

Regarding Wiring Diagram information, refer to [BCS-69. "Wiring Diagram"](#).

1. CHECK FUSE AND FUSIBLE LINK

Check if the following BCM fuses or fusible link are blown.

Terminal No.	Signal name	Fuse and fusible link No.
1	Battery power supply	H
11		10
24		7

Is the fuse or fusible link blown?

- YES >> Replace the blown fuse or fusible link after repairing the affected circuit.
 NO >> GO TO 2

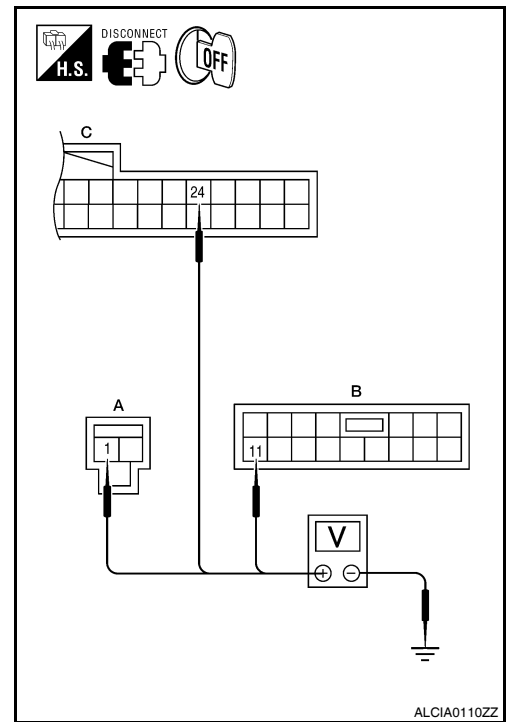
2. CHECK POWER SUPPLY CIRCUIT

1. Turn ignition switch OFF.
2. Disconnect BCM.
3. Check voltage between BCM harness connector and ground.

Terminals		Voltage (Approx.)
(+)	(-)	
BCM		Ground
Connector	Terminal	
M16 (A)	1	
M17 (B)	11	
M18 (C)	24	Battery voltage

Is the measurement normal?

- YES >> GO TO 3
 NO >> Repair or replace harness.



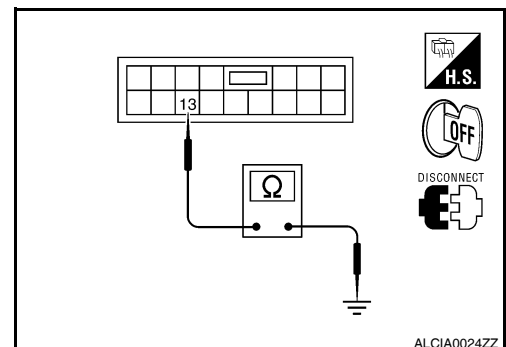
3. CHECK GROUND CIRCUIT

Check continuity between BCM harness connector and ground.

BCM		Ground	Continuity
Connector	Terminal		
M17	13		Yes

Does continuity exist?

- YES >> Inspection End.
 NO >> Repair or replace harness.



POWER SUPPLY AND GROUND CIRCUIT

< COMPONENT DIAGNOSIS >

Special Repair Requirement

INFOID:000000005532022

1. REQUIRED WORK WHEN REPLACING BCM

Initialize control unit. Refer to [BCS-6, "CONFIGURATION \(BCM\) : Special Repair Requirement"](#).

>> Work End.

A
B
C
D
E
F
G
H
I
J
DLK
L
M
N
O
P

DOOR SWITCH

< COMPONENT DIAGNOSIS >

DOOR SWITCH

Description

INFOID:000000005461197

Detects door open/close condition.

Component Function Check

INFOID:000000005461198

1.CHECK FUNCTION

With CONSULT-III

Check door switches DOOR SW-DR, DOOR SW-AS, DOOR SW-RL, DOOR SW-RR in Data Monitor mode with CONSULT-III.

Monitor item	Condition
DOOR SW-DR	CLOSE → OPEN: OFF → ON
DOOR SW-AS	
DOOR SW-RL	
DOOR SW-RR	

Is the inspection result normal?

- YES >> Door switch is OK.
- NO >> Refer to [DLK-68, "Diagnosis Procedure"](#).

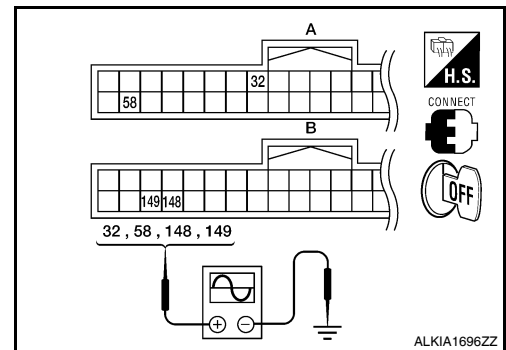
Diagnosis Procedure

INFOID:000000005461199

Regarding Wiring Diagram information, refer to [DLK-150, "Wiring Diagram — POWER DOOR LOCK SYSTEM —"](#).

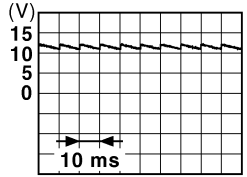
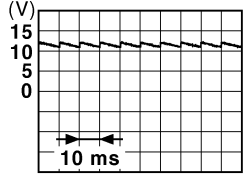
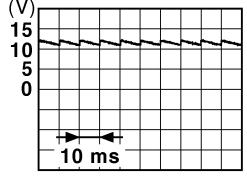
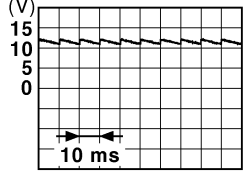
1.CHECK DOOR SWITCH INPUT SIGNAL

1. Turn ignition switch OFF.
2. Check signal between BCM connector and ground with oscilloscope.



DOOR SWITCH

< COMPONENT DIAGNOSIS >

Terminals		(-)	Door condition		Voltage (V) (Approx.)
(+)					
BCM connector	Terminal				
A: M18	58	Ground	Driver side	OPEN	0
				CLOSE	
	32		Passenger side	OPEN	0
				CLOSE	
B: M21	148	Ground	Rear RH	OPEN	0
				CLOSE	
	149		Rear LH	OPEN	0
				CLOSE	

Is the inspection result normal?

YES >> GO TO 4

NO >> GO TO 2

2. CHECK DOOR SWITCH CIRCUIT

1. Disconnect BCM connector.

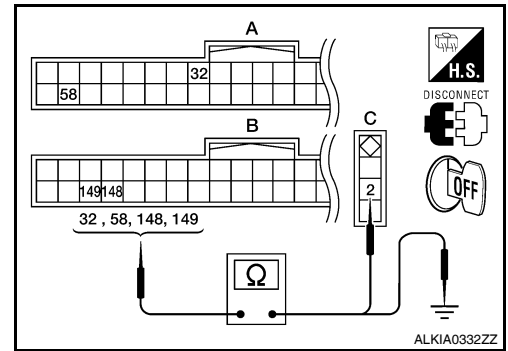
A
B
C
D
E
F
G
H
I
J
DLK
L
M
N
O
P

DOOR SWITCH

< COMPONENT DIAGNOSIS >

- Check continuity between BCM connector and door switch connector.

BCM connector	Terminal	Door switch connector	Terminal	Continuity
A: M18	58	C: B8 (Driver side)	2	Yes
	32	C: B108 (Passenger side)		
B: M21	148	C: B116 (Rear RH)		
	149	C: B18 (Rear LH)		



- Check continuity between BCM connector and ground.

BCM connector	Terminal	Continuity
A: M18	58	No
	32	
B: M21	148	
	149	

Is the inspection result normal?

- YES >> GO TO 3
 NO >> Repair or replace harness between BCM and door switch.

3.CHECK DOOR SWITCH

Refer to [DLK-70, "Component Inspection"](#).

Is the inspection result normal?

- YES >> GO TO 4
 NO >> Replace malfunctioning door switch.

4.CHECK INTERMITTENT INCIDENT

Refer to [GI-39, "Intermittent Incident"](#).

>> Inspection End.

Component Inspection

INFOID:000000005461200

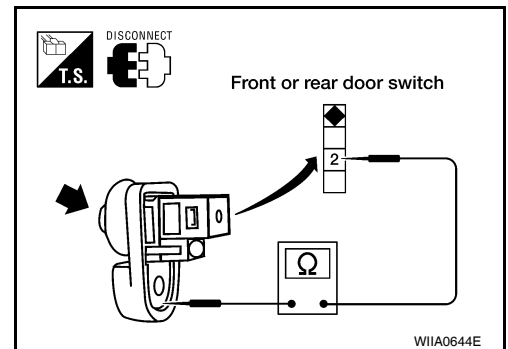
1.CHECK DOOR SWITCH

- Turn ignition switch OFF.
- Disconnect door switch connector.
- Check door switch.

Terminal	Door switch condition	Continuity
2	Pressed	No
	Released	Yes

Is the inspection result normal?

- YES >> Inspection End.
 NO >> Replace malfunctioning door switch.



DOOR LOCK AND UNLOCK SWITCH

< COMPONENT DIAGNOSIS >

DOOR LOCK AND UNLOCK SWITCH DRIVER SIDE

DRIVER SIDE : Description

INFOID:000000005461201

Transmits door lock/unlock operation to BCM.

DRIVER SIDE : Component Function Check

INFOID:000000005461202

1. CHECK FUNCTION

Ⓜ With CONSULT-III

Check CDL LOCK SW, CDL UNLOCK SW in Data Monitor mode with CONSULT-III.

Monitor item	Condition
CDL LOCK SW	LOCK : ON
	UNLOCK : OFF
CDL UNLOCK SW	LOCK : OFF
	UNLOCK : ON

Is the inspection result normal?

YES >> Door lock and unlock switch is OK.

NO >> Refer to [DLK-71, "DRIVER SIDE : Diagnosis Procedure"](#).

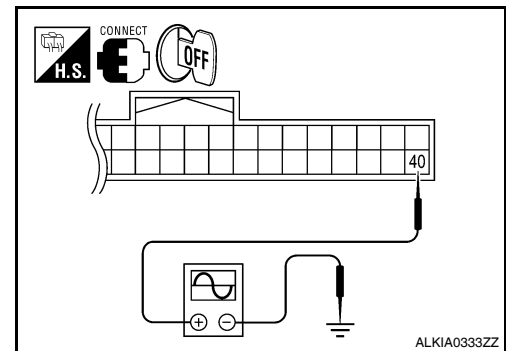
DRIVER SIDE : Diagnosis Procedure

INFOID:000000005461203

Regarding Wiring Diagram, refer to [DLK-150, "Wiring Diagram — POWER DOOR LOCK SYSTEM —"](#).

1. CHECK POWER WINDOW SWITCH OUTPUT SIGNAL

1. Read voltage signal between BCM connector and ground with oscilloscope when door lock and unlock switch (driver side) is turned "LOCK" or "UNLOCK".



2. Check that signals which are shown in the figure below can be detected during 10 second just after door lock and unlock switch (driver side) is turned to "LOCK" or "UNLOCK".

Terminal		Condition	Signal (Reference value)
(+)	(-)		
BCM connector	Terminal		
M18	40	Door is closed	<p style="text-align: right;">PIIA1297E</p>

DOOR LOCK AND UNLOCK SWITCH

< COMPONENT DIAGNOSIS >

Is the inspection result normal?

- YES >> GO TO 4
- NO >> GO TO 2

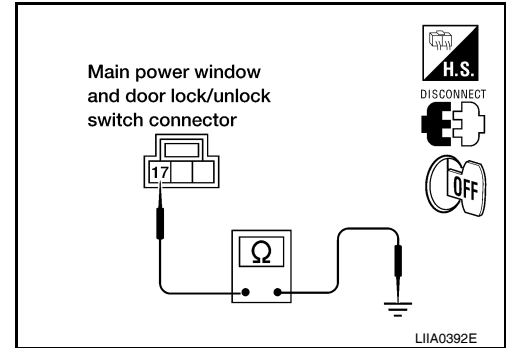
2. CHECK POWER WINDOW SWITCH GROUND

1. Turn ignition switch OFF.
2. Disconnect main power window and door lock/unlock switch connector.
3. Check continuity between main power window and door lock/unlock switch connector and ground.

Main power window and door lock/unlock switch connector	Terminal		Continuity
D8	17	Ground	Yes

Is the inspection result normal?

- YES >> GO TO 3
- NO >> Repair or replace harness.



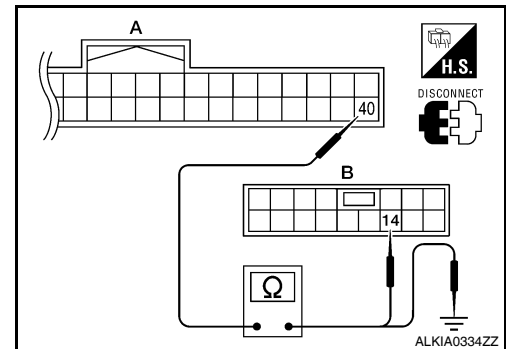
3. CHECK POWER WINDOW SERIAL LINK CIRCUIT

1. Disconnect BCM connector.
2. Check continuity between BCM connector and main power window and door lock/unlock switch connector.

BCM connector	Terminal	Main power window and door lock/unlock switch connector	Terminal	Continuity
A: M18	40	B: D7	14	Yes

3. Check continuity between BCM connector and ground.

BCM connector	Terminals		Continuity
A: M18	40	Ground	No



Is the inspection result normal?

- YES >> GO TO 4
- NO >> Repair or replace harness.

4. CHECK INTERMITTENT INCIDENT

Refer to [GI-39. "Intermittent Incident"](#).

>> Inspection End.

DRIVER SIDE : Special Repair Requirement

INFOID:000000005461204

INITIALIZATION PROCEDURE

1. Disconnect battery negative terminal or main power window and door lock/unlock switch. Reconnect it after a minute or more.
2. Turn ignition switch ON.
3. Operate power window switch to fully open the window. (This operation is unnecessary if the window is already fully open)
4. Continue pulling the power window switch UP (AUTO-UP operation). Even after glass stops at fully closed position, keep pulling the switch for 4 seconds or more.
5. Inspect anti-pinch function.

CHECK ANTI-PINCH FUNCTION

1. Fully open the door window.
2. Place a piece of wood near fully closed position.
3. Close door glass completely with AUTO-UP.

DOOR LOCK AND UNLOCK SWITCH

< COMPONENT DIAGNOSIS >

- Check that glass lowers for approximately 150 mm (5.91 in) or 2 seconds without pinching piece of wood and stops.
- Check that glass does not rise when operating the main power window and door lock/unlock switch while lowering.

CAUTION:

- **Do not check with hands and other parts of the body because they may be pinched. Do not get pinched.**
 - Check that **AUTO-UP** operates before inspection when system initialization is performed.
 - It may switch to fail-safe mode if open/close operation is performed continuously. Perform initial setting in that situation. Refer to [PWC-192, "Fail Safe"](#), [PWC-203, "Fail Safe"](#) or [PWC-214, "Fail Safe"](#).
 - Perform initial setting when auto-up operation or anti-pinch function does not operate normally.
 - Finish initial setting. Otherwise, next operation cannot be done.
1. Auto-up operation
 2. Anti-pinch function
 3. Retained power operation when ignition switch is OFF.

PASSENGER SIDE

PASSENGER SIDE : Description

INFOID:000000005461205

Transmits door lock/unlock operation to BCM.

PASSENGER SIDE : Component Function Check

INFOID:000000005461206

1.CHECK FUNCTION

Ⓜ With CONSULT-III

Check CDL LOCK SW, CDL UNLOCK SW in Data Monitor mode with CONSULT-III.

Monitor item	Condition
CDL LOCK SW	LOCK : ON
	UNLOCK : OFF
CDL UNLOCK SW	LOCK : OFF
	UNLOCK : ON

Is the inspection result normal?

YES >> Door lock and unlock switch is OK.

NO >> Refer to [DLK-73, "PASSENGER SIDE : Diagnosis Procedure"](#).

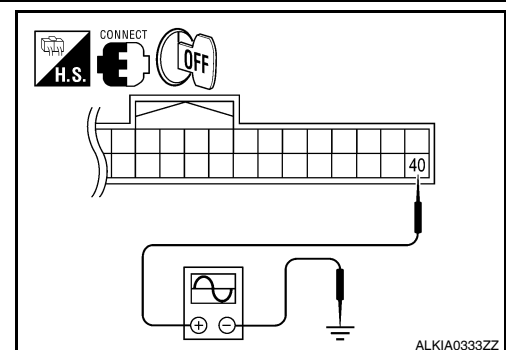
PASSENGER SIDE : Diagnosis Procedure

INFOID:000000005461207

Regarding Wiring Diagram information, refer to [DLK-150, "Wiring Diagram — POWER DOOR LOCK SYSTEM —"](#).

1.CHECK POWER WINDOW SWITCH OUTPUT SIGNAL

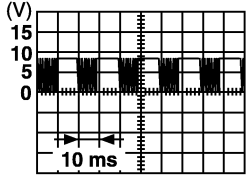
1. Read voltage signal between BCM connector and ground with oscilloscope when door lock and unlock switch (passenger side) is turned to "LOCK" or "UNLOCK".



DOOR LOCK AND UNLOCK SWITCH

< COMPONENT DIAGNOSIS >

- Check that signals which are shown in the figure below can be detected during 10 second just after door lock and unlock switch (passenger side) is turned to "LOCK" or "UNLOCK".

Terminal (+)		Terminal (-)	Condition	Signal (Reference value)
BCM connector	Terminal			
M18	40	Ground	Door is closed	 <p style="text-align: right; font-size: small;">PIIA1297E</p>

Is the inspection result normal?

- YES >> GO TO 4
 NO >> GO TO 2

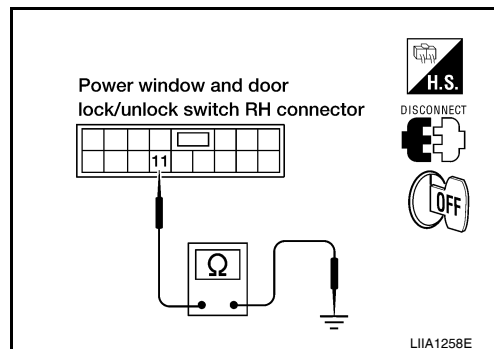
2. CHECK POWER WINDOW SWITCH GROUND

- Turn ignition switch OFF.
- Disconnect power window and door lock/unlock switch RH connector.
- Check continuity between front power window switch (passenger side) connector and ground.

Power window and door lock/unlock switch RH connector	Terminal		Continuity
D105	11	Ground	Yes

Is the inspection result normal?

- YES >> GO TO 3
 NO >> Repair or replace harness.



3. CHECK POWER WINDOW SERIAL LINK CIRCUIT

- Disconnect BCM connector.
- Check continuity between BCM connector and front power window switch (passenger side) connector.

BCM connector	Terminal	Front power window switch (passenger side) connector	Terminal	Continuity
A: M18	40	B: D105	16	Yes

- Check continuity between BCM connector and ground.

BCM connector	Terminals		Continuity
A: M18	40	Ground	No

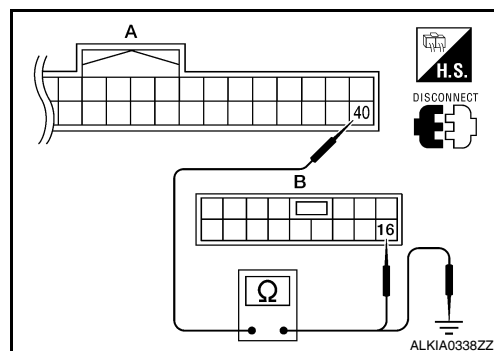
Is the inspection result normal?

- YES >> GO TO 4
 NO >> Repair or replace harness.

4. CHECK INTERMITTENT INCIDENT

Refer to [GI-39, "Intermittent Incident"](#).

- YES >> Inspection End.



DOOR LOCK AND UNLOCK SWITCH

< COMPONENT DIAGNOSIS >

PASSENGER SIDE : Special Repair Requirement

INFOID:000000005461208

INITIALIZATION PROCEDURE

1. Disconnect battery negative terminal or main power window and door lock/unlock switch. Reconnect it after a minute or more.
2. Turn ignition switch ON.
3. Operate power window switch to fully open the window. (This operation is unnecessary if the window is already fully open)
4. Continue pulling the power window switch UP (AUTO-UP operation). Even after glass stops at fully closed position, keep pulling the switch for 4 seconds or more.
5. Inspect anti-pinch function.

CHECK ANTI-PINCH FUNCTION

1. Fully open the door window.
2. Place a piece of wood near fully closed position.
3. Close door glass completely with AUTO-UP.
 - Check that glass lowers for approximately 150 mm (5.91 in) or 2 seconds without pinching piece of wood and stops.
 - Check that glass does not rise when operating the main power window and door lock/unlock switch while lowering.

CAUTION:

- Do not check with hands and other parts of the body because they may be pinched. Do not get pinched.
 - Check that AUTO-UP operates before inspection when system initialization is performed.
 - It may switch to fail-safe mode if open/close operation is performed continuously. Perform initial setting in that situation. Refer to [PWC-192, "Fail Safe"](#), [PWC-203, "Fail Safe"](#) or [PWC-214, "Fail Safe"](#).
 - Perform initial setting when auto-up operation or anti-pinch function does not operate normally.
 - Finish initial setting. Otherwise, next operation cannot be done.
1. Auto-up operation
 2. Anti-pinch function
 3. Retained power operation when ignition switch is OFF.

A
B
C
D
E
F
G
H
I
J
L
M
N
O
P

DLK

KEY SLOT

< COMPONENT DIAGNOSIS >

KEY SLOT

Description

INFOID:000000005461209

Detects whether Intelligent Key is inserted.
Immobilizer antenna amp checks Intelligent Key transponder.

Component Function Check

INFOID:000000005461210

1.CHECK FUNCTION

Ⓟ With CONSULT-III

Check KEY SW -SLOT in Data Monitor mode with CONSULT-III.

Monitor item	Condition
KEY SW-SLOT	Key is inserted in key slot: ON
	Key is removed from key slot: OFF

Is the inspection result normal?

- YES >> Key slot is OK.
NO >> Refer to [DLK-76, "Diagnosis Procedure"](#).

Diagnosis Procedure

INFOID:000000005461211

Regarding Wiring Diagram information, refer to [DLK-161, "Wiring Diagram — INTELLIGENT KEY SYSTEM —"](#).

1.CHECK KEY SLOT POWER SUPPLY CIRCUIT

- Turn ignition switch OFF.
- Disconnect key slot connector.
- Check voltage between key slot connector and ground.

Terminals		Voltage (V) (Approx.)
(+)	(-)	
Key slot connector	Terminal	Ground
M40	1 5	

Is the inspection result normal?

- YES >> GO TO 2
NO >> Repair or replace key slot power supply circuit.

2.CHECK KEY SLOT GROUND CIRCUIT

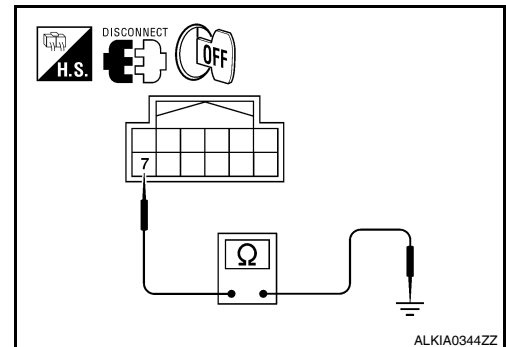
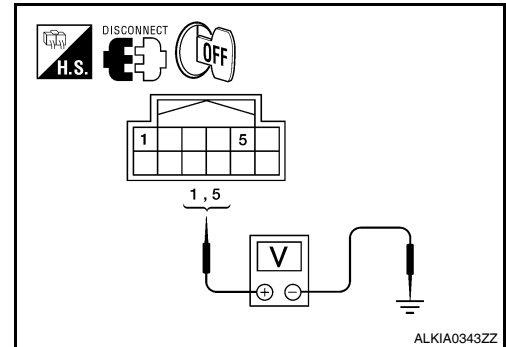
Check continuity between key slot connector and ground.

Key slot connector	Terminal	Ground	Continuity
M40	7		Yes

Is the inspection result normal?

- YES >> GO TO 3
NO >> Repair or replace key slot ground circuit.

3.CHECK KEY SLOT CIRCUIT



KEY SLOT

< COMPONENT DIAGNOSIS >

1. Disconnect BCM connector.
2. Check continuity between BCM connector and key slot connector.

BCM connector	Terminal	Key slot connector	Terminal	Continuity
A: M18	29	C: M40	11	Yes
B: M19	68		2	
	69		3	

3. Check continuity between BCM connector and ground.

BCM connector	Terminal	Continuity
A: M18	29	No
B: M19	68	
	69	

Is the inspection result normal?

YES >> GO TO 4

NO >> Repair or replace harness between BCM and key slot.

4. CHECK KEY SLOT

Refer to [DLK-77, "Component Inspection"](#).

Is the inspection result normal?

YES >> GO TO 5

NO >> Replace key slot.

5. CHECK INTERMITTENT INCIDENT

Refer to [GI-39, "Intermittent Incident"](#).

>> Inspection End.

Component Inspection

INFOID:000000005461212

DLK

1. CHECK KEY SLOT

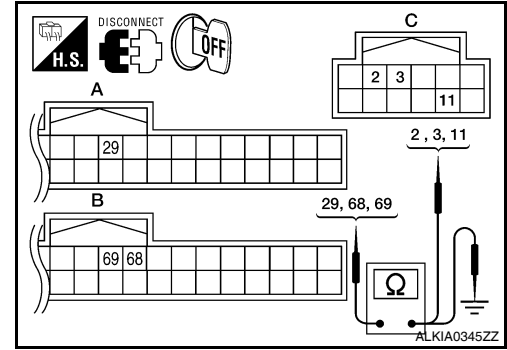
Check key slot.

Terminal		Condition	Continuity
Key slot			
1	11	Intelligent Key inserted	Yes
		Intelligent Key removed	No

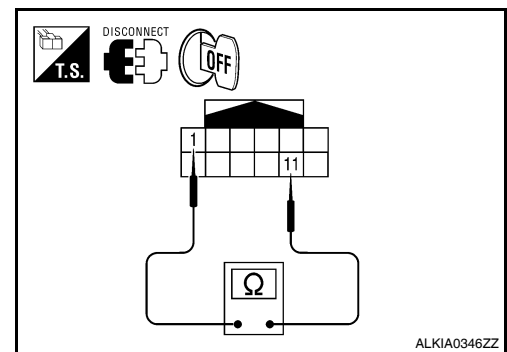
Is the inspection result normal?

YES >> Inspection End.

NO >> Replace key slot.



A
B
C
D
E
F
G
H
I
J



L
M
N
O
P

KEY CYLINDER SWITCH

< COMPONENT DIAGNOSIS >

KEY CYLINDER SWITCH

Description

INFOID:000000005461213

The main power window and door lock/unlock switch detects condition of the door key cylinder switch and transmits to BCM as the LOCK or UNLOCK signal.

Component Function Check

INFOID:000000005461214

1. CHECK DOOR KEY CYLINDER SWITCH INPUT SIGNAL

Check KEY CYL UN-SW, KEY CYL UN-SW in "DATA MONITOR" mode for "POWER DOOR LOCK SYSTEM" with CONSULT-III. Refer to [DLK-53, "DOOR LOCK : CONSULT-III Function \(BCM - DOOR LOCK\)"](#).

Monitor item	Condition
KEY CYL LK-SW	Lock : ON
	Neutral / Unlock : OFF
KEY CYL UN-SW	Unlock : ON
	Neutral / Lock : OFF

Is the inspection result normal?

- YES >> Key cylinder switch is OK.
 NO >> Refer to [DLK-78, "Diagnosis Procedure"](#).

Diagnosis Procedure

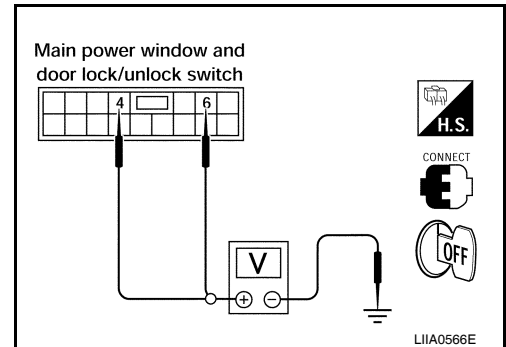
INFOID:000000005461215

Regarding Wiring Diagram information, refer to [DLK-150, "Wiring Diagram — POWER DOOR LOCK SYSTEM —"](#).

1. CHECK DOOR KEY CYLINDER SWITCH INPUT SIGNAL

- Turn ignition switch ON.
- Check voltage between main power window and door lock/unlock switch connector and ground.

Terminals		Key position	Voltage (V) (Approx.)
(+)	(-)		
Main power window and door lock/unlock switch connector	Terminal 4	Lock	0
		Neutral / Unlock	5
	Terminal 6	Unlock	0
		Neutral / Lock	5



Is the inspection result normal?

- YES >> Replace main power window and door lock/unlock switch. Refer to [PWC-128, "Removal and Installation"](#). After that, refer to [PWC-9, "ADDITIONAL SERVICE WHEN REPLACING CONTROL UNIT : Special Repair Requirement"](#).
 NO >> GO TO 2

2. CHECK DOOR KEY CYLINDER SIGNAL CIRCUIT

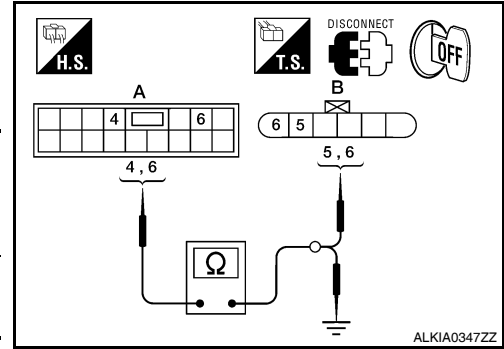
- Turn ignition switch OFF.

KEY CYLINDER SWITCH

< COMPONENT DIAGNOSIS >

- Disconnect main power window and door lock/unlock switch connector and front door lock assembly LH (key cylinder switch) connector.
- Check continuity between main power window and door lock/unlock switch connector and front door lock assembly LH (key cylinder switch) connector.

Main power window and door lock/unlock switch connector	Terminal	Front door lock assembly LH (key cylinder switch) connector	Terminal	Continuity
A: D7	4	B: D10	6	Yes
	6		5	



- Check continuity between main power window and door lock/unlock switch connector and ground.

Power window main switch connector	Terminal	Ground	Continuity
A: D7	4	Ground	No
	6		

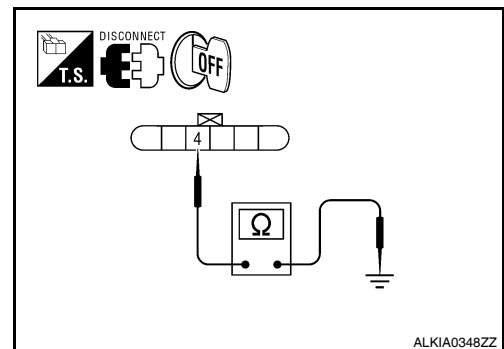
Is the inspection result normal?

- YES >> GO TO 3
 NO >> Repair or replace harness.

3. CHECK DOOR KEY CYLINDER SWITCH GROUND CIRCUIT

Check continuity between front door lock assembly LH connector and ground.

Front door lock assembly LH connector	Terminal	Ground	Continuity
D10	4	Ground	Yes



Is the inspection result normal?

- YES >> GO TO 4
 NO >> Repair or replace harness.

4. CHECK DOOR KEY CYLINDER SWITCH

Check door key cylinder switch.

Refer to [DLK-79. "Component Inspection"](#).

Is the inspection result normal?

- YES >> Check intermittent incident. Refer to [GI-39. "Intermittent Incident"](#).
 NO >> Replace front door lock assembly LH (key cylinder switch). Refer to [DLK-225. "FRONT DOOR LOCK : Removal and Installation"](#). After that, Refer to [PWC-9. "ADDITIONAL SERVICE WHEN REPLACING CONTROL UNIT : Special Repair Requirement"](#).

Component Inspection

INFOID:000000005461216

COMPONENT INSPECTION

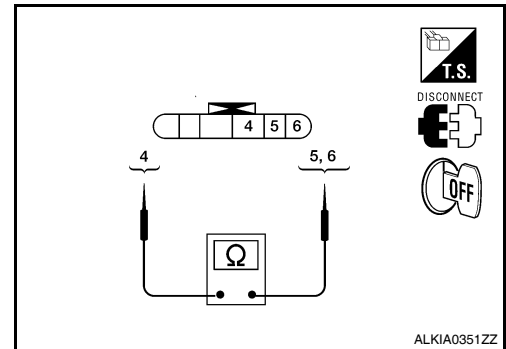
1. CHECK DOOR KEY CYLINDER SWITCH

KEY CYLINDER SWITCH

< COMPONENT DIAGNOSIS >

Check front door lock assembly LH (key cylinder switch).

Terminal		Key position	Continuity
Front door lock assembly LH (key cylinder switch) connector			
5	4	Unlock	Yes
		Neutral / Lock	No
6		Lock	Yes
		Neutral / Unlock	No



Is the inspection result normal?

YES >> Key cylinder switch is OK.

NO >> Replace front door lock assembly LH (key cylinder switch). Refer to [DLK-225, "FRONT DOOR LOCK : Removal and Installation"](#). After that, refer to [DLK-80, "Special Repair Requirement"](#).

Special Repair Requirement

INFOID:000000005461217

1.PERFORM INITIALIZATION PROCEDURE

Perform initialization procedure.

Refer to [DLK-9, "ADDITIONAL SERVICE WHEN REPLACING CONTROL UNIT : Special Repair Requirement"](#).

Is the inspection result normal?

YES >> Inspection End.

NO >> Check intermittent incident. Refer to [GI-39, "Intermittent Incident"](#).

UNLOCK SENSOR

< COMPONENT DIAGNOSIS >

UNLOCK SENSOR

Description

INFOID:000000005461218

Detects door lock condition of driver door.

Component Function Check

INFOID:000000005461219

1.CHECK FUNCTION

With CONSULT-III

Check unlock sensor UNLK SEN-DR in "Data Monitor" mode.

Monitor item	Condition
UNLK SEN-DR	Front door lock (driver side) LOCK : ON
	Front door lock (driver side) UNLOCK : OFF

Is the inspection result normal?

YES >> Unlock sensor is OK.

NO >> Refer to [DLK-81, "Diagnosis Procedure"](#).

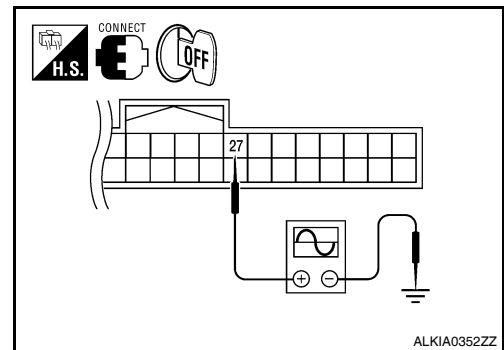
Diagnosis Procedure

INFOID:000000005461220

Regarding Wiring Diagram information, refer to [DLK-161, "Wiring Diagram — INTELLIGENT KEY SYSTEM —"](#).

1.CHECK UNLOCK SENSOR POWER SUPPLY

Check signal between BCM connector and ground with oscilloscope.



Terminals		(-)	Front door lock assembly LH condition	Voltage (V) (Approx.)
(+)	Terminal			
BCM connector				
M18	27	Ground	Locked	
			Unlocked	0

Is the inspection result normal?

YES >> GO TO 6

NO >> GO TO 2

UNLOCK SENSOR

< COMPONENT DIAGNOSIS >

2. CHECK UNLOCK SENSOR CIRCUIT

1. Turn ignition switch OFF.
2. Disconnect BCM and front door lock assembly LH connector.
3. Check continuity between BCM connector and front door lock assembly LH connector.

BCM connector	Terminal	Front door lock assembly LH connector	Terminal	Continuity
A: M18	27	B: D10	3	Yes

4. Check continuity between BCM connector and ground.

BCM connector	Terminal	Ground	Continuity
A: M18	27		No

Is the inspection result normal?

YES >> GO TO 3

NO >> Repair or replace harness between BCM and front door lock assembly LH.

3. CHECK UNLOCK SENSOR GROUND CIRCUIT

Check continuity between front door lock assembly LH connector and ground.

Front door lock assembly LH connector	Terminal	Ground	Continuity
D10	4		Yes

Is the inspection result normal?

YES >> GO TO 4

NO >> Repair or replace harness.

4. CHECK BCM OUTPUT SIGNAL

1. Connect BCM harness connector.
2. Check signal between BCM connector and ground with oscilloscope.

Terminals		Voltage (V) (Approx.)
(+)	(-)	
BCM connector	Terminal	
M18	27	Ground

JPMIA0011GB

Is the inspection result normal?

YES >> GO TO 5

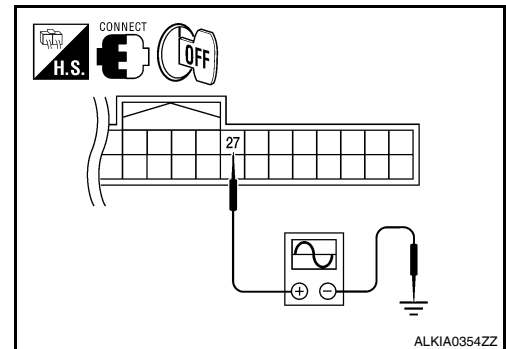
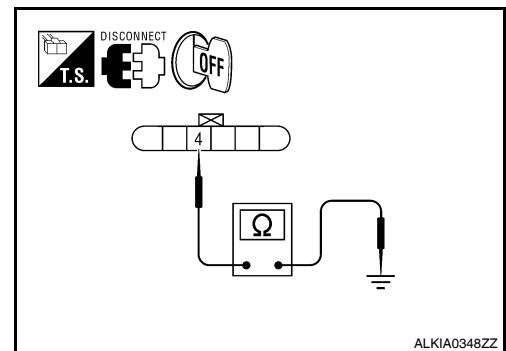
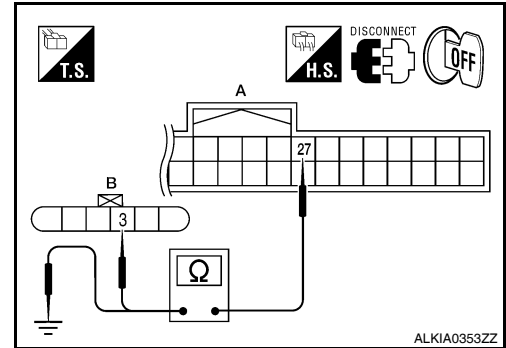
NO >> Replace BCM. Refer to [BCS-87, "Removal and Installation"](#)

5. CHECK UNLOCK SENSOR

Refer to [DLK-83, "Component Inspection"](#).

Is the inspection result normal?

YES >> GO TO 6



UNLOCK SENSOR

< COMPONENT DIAGNOSIS >

NO >> Replace front door lock assembly LH. Refer to [DLK-225. "FRONT DOOR LOCK : Removal and Installation"](#).

6.CHECK INTERMITTENT INCIDENT

Refer to [GI-39. "Intermittent Incident"](#).

>> Inspection End.

Component Inspection

INFOID:000000005461221

1.CHECK UNLOCK SENSOR

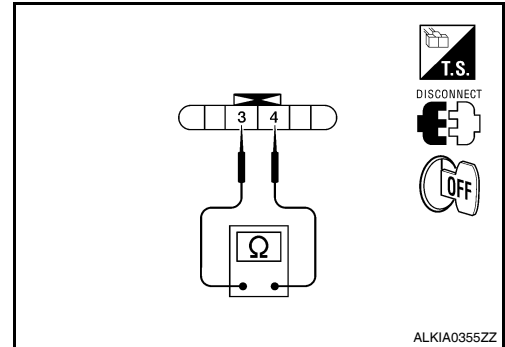
Check unlock sensor.

Terminal		Front door lock assembly LH condition	Continuity
Front door lock assembly LH			
3	4	Unlock	Yes
		Lock	No

Is the inspection result normal?

YES >> Inspection End.

NO >> Replace front lock assembly LH. Refer to [DLK-225. "FRONT DOOR LOCK : Removal and Installation"](#).



A
B
C
D
E
F
G
H
I
J
L
M
N
O
P

DLK

TRUNK LID OPENER SWITCH

< COMPONENT DIAGNOSIS >

TRUNK LID OPENER SWITCH

Description

INFOID:000000005461222

Transmits trunk lid open signal to BCM.

Component Function Check

INFOID:000000005461223

1. CHECK TRUNK LID OPENER CANCEL SWITCH

Check trunk lid opener cancel switch position.

Does trunk lid opener cancel switch turn ON (CANCEL)?

- Yes >> Turn off trunk lid opener cancel switch.
- No >> GO TO 2

2. CHECK FUNCTION

Ⓜ With CONSULT-III

Check trunk lid opener switch TR/BD OPEN SW in Data Monitor mode with CONSULT-III.

- When trunk lid opener switch is turned to "ON".

Monitor item	Condition
TR/BD OPEN SW	Trunk lid opener switch is pressed: ON
	Trunk lid opener switch is released: OFF

Is the inspection result normal?

- YES >> Trunk lid opener switch is OK.
- NO >> Refer to [DLK-84, "Diagnosis Procedure"](#).

Diagnosis Procedure

INFOID:000000005461224

Regarding Wiring Diagram information, refer to [DLK-177, "Wiring Diagram — TRUNK LID OPENER SYSTEM"](#).

1. CHECK TRUNK LID OPEN INPUT SIGNAL

1. Remove Intelligent Key from key slot.
2. Turn on trunk lid opener cancel switch.
3. Check voltage between BCM connector and ground.

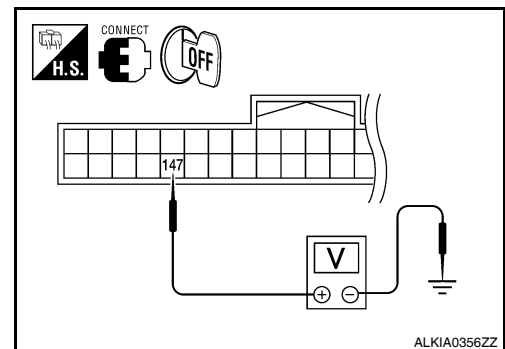
Terminals		Condition of trunk lid opener switch	Voltage (V) (Approx.)
(+)	(-)		
BCM connector	Terminal	ON (press and hold)	0
M21	147		
	Ground	OFF (release)	Battery voltage

Is the inspection result normal?

- YES >> GO TO 5
- NO >> GO TO 2

2. CHECK TRUNK LID OPENER SWITCH CIRCUIT

1. Disconnect BCM connector.



TRUNK LID OPENER SWITCH

< COMPONENT DIAGNOSIS >

- Check continuity between BCM connector and trunk lid opener switch connector.

BCM connector	Terminal	Trunk lid opener switch connector	Terminal	Continuity
A: M21	147	B: M75	1	Yes

- Check continuity between BCM connector and ground.

BCM connector	Terminal	Ground	Continuity
A: M21	147		No

Is the inspection result normal?

- YES >> GO TO 3
 NO >> Repair harness or connector.

3.CHECK TRUNK LID OPENER SWITCH GROUND CIRCUIT

Check continuity between trunk lid opener switch connector and ground.

Trunk lid opener switch	Terminal	Ground	Continuity
M75	2		Yes

Is the inspection result normal?

- YES >> GO TO 4
 NO >> Repair or replace harness.

4.CHECK TRUNK LID OPENER SWITCH

Refer to [DLK-85. "Component Inspection"](#).

Is the inspection result normal?

- YES >> GO TO 5
 NO >> Replace trunk lid opener switch.

5.CHECK INTERMITTENT INCIDENT

Refer to [GI-39. "Intermittent Incident"](#).

>> Inspection End.

Component Inspection

INFOID:000000005461225

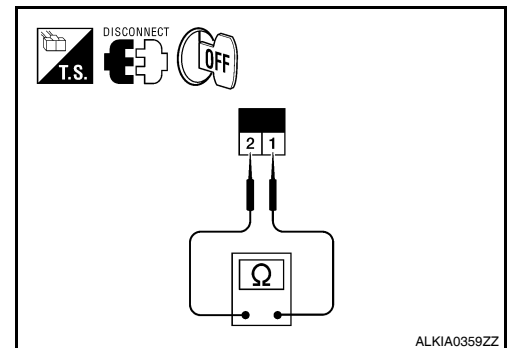
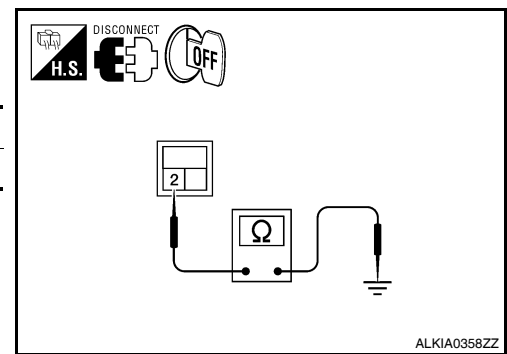
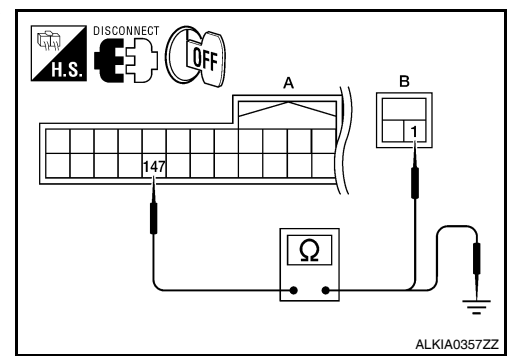
1.CHECK TRUNK LID OPENER SWITCH

- Turn ignition switch OFF.
- Disconnect trunk lid opener switch connector.
- Check continuity between trunk lid opener switch connector.

Terminal		Condition	Continuity
Trunk lid opener switch			
1	2	ON (press and hold)	Yes
		OFF (release)	No

Is the inspection result normal?

- YES >> Inspection End.
 NO >> Replace trunk lid opener switch.



A
B
C
D
E
F
G
H
I
J
L
M
N
O
P

DLK

TRUNK LID OPENER CANCEL SWITCH

< COMPONENT DIAGNOSIS >

TRUNK LID OPENER CANCEL SWITCH

Description

INFOID:000000005461226

Cancels trunk lid open operation.

Component Function Check

INFOID:000000005461227

1.CHECK FUNCTION

Ⓟ With CONSULT-III

Check trunk lid opener cancel switch TR CANCEL SW in Data Monitor mode with CONSULT-III.

Monitor item	Condition
TR CANCEL SW	Trunk lid opener cancel switch is turned to "ON": ON
	Trunk lid opener cancel switch is turned to "OFF": OFF

Is the inspection result normal?

- YES >> Trunk lid opener cancel switch is OK.
- NO >> Refer to [DLK-86, "Diagnosis Procedure"](#).

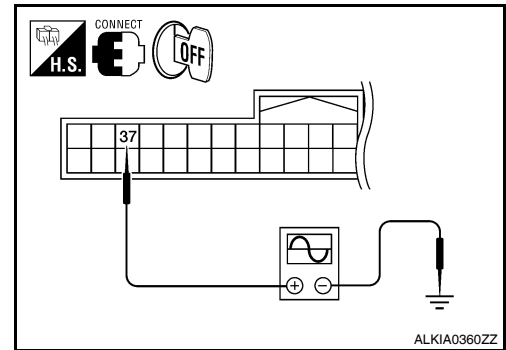
Diagnosis Procedure

INFOID:000000005461228

Regarding Wiring Diagram information, refer to [DLK-177, "Wiring Diagram — TRUNK LID OPENER SYSTEM"](#).

1.CHECK TRUNK LID OPENER CANCEL SIGNAL

Check voltage between BCM connector and ground.



Terminals			Condition of trunk lid opener cancel switch	Voltage (V) (Approx.)
(+)		(-)		
BCM connector	Terminal			
M18	37	Ground	ON (press and hold)	0
			OFF (cancel)	<p>Waveform graph showing a square wave pulse between 0V and 15V. The vertical axis is labeled (V) with markings at 0, 5, 10, and 15. The horizontal axis is labeled 10 ms.</p>

JPMIA0012GB

Is the inspection result normal?

- YES >> GO TO 5

TRUNK LID OPENER CANCEL SWITCH

< COMPONENT DIAGNOSIS >

NO >> GO TO 2

2. CHECK TRUNK LID OPENER CANCEL SWITCH CIRCUIT

1. Disconnect BCM connector.
2. Check continuity between BCM connector and trunk lid opener cancel switch connector.

BCM connector	Terminal	Trunk lid opener cancel switch connector	Terminal	Continuity
A: M18	37	B: M74	1	Yes

3. Check continuity between BCM connector and ground.

BCM connector	Terminal	Ground	Continuity
A: M18	37		No

Is the inspection result normal?

YES >> GO TO 3

NO >> Repair harness or connector.

3. CHECK TRUNK LID OPENER CANCEL SWITCH GROUND CIRCUIT

Check continuity between trunk lid opener switch connector and ground.

Trunk lid opener cancel switch	Terminal	Ground	Continuity
M74	2		Yes

Is the inspection result normal?

YES >> GO TO 4

NO >> Repair or replace harness.

4. CHECK TRUNK LID OPENER CANCEL SWITCH

Refer to [DLK-87, "Component Inspection"](#).

Is the inspection result normal?

YES >> GO TO 5

NO >> Replace trunk lid opener cancel switch.

5. CHECK INTERMITTENT INCIDENT

Refer to [GI-39, "Intermittent Incident"](#).

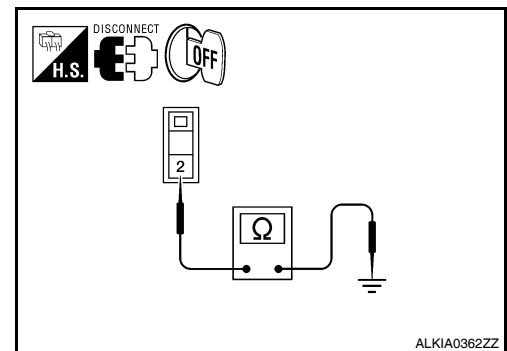
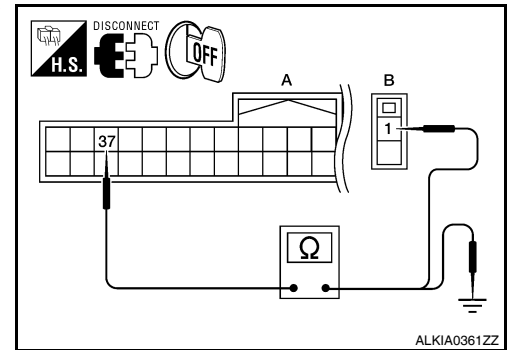
>> Inspection End.

Component Inspection

INFOID:000000005461229

1. CHECK TRUNK LID OPENER CANCEL SWITCH

1. Disconnect trunk lid opener cancel switch connector.



A
B
C
D
E
F
G
H
I
J
DLK
L
M
N
O
P

TRUNK LID OPENER CANCEL SWITCH

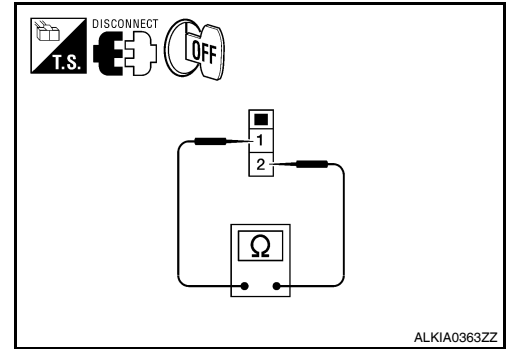
< COMPONENT DIAGNOSIS >

2. Check continuity between trunk lid opener cancel switch terminals.

Terminal		Condition	Continuity
Trunk lid opener switch			
1	2	ON	Yes
		OFF (cancel)	No

Is the inspection result normal?

- YES >> Inspection End.
NO >> Replace trunk lid opener cancel switch.



TRUNK LAMP SWITCH

< COMPONENT DIAGNOSIS >

TRUNK LAMP SWITCH

Description

INFOID:000000005461230

Detects trunk open/close condition.

Component Function Check

INFOID:000000005461231

1. CHECK FUNCTION

With CONSULT-III

Check TRNK/HAT MNTR in Data Monitor mode with CONSULT-III.

Monitor item	Condition
TRNK/HAT MNTR	OPEN : ON
	CLOSE : OFF

Is the inspection result normal?

- YES >> Trunk room lamp switch is OK.
 NO >> Refer to [DLK-89, "Diagnosis Procedure"](#).

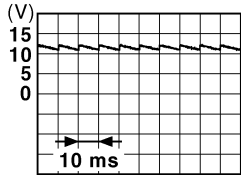
Diagnosis Procedure

INFOID:000000005461232

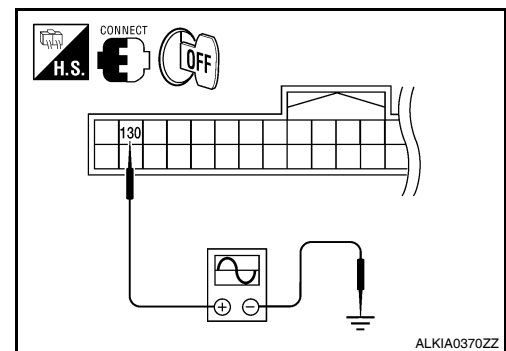
Regarding Wiring Diagram information, refer to [DLK-161, "Wiring Diagram — INTELLIGENT KEY SYSTEM —"](#).

1. CHECK TRUNK LAMP SWITCH INPUT SIGNAL

- Turn ignition switch OFF.
- Check voltage between BCM connector and ground.

Terminals		Trunk condition	Voltage (V) (Approx.)
(+)	(-)		
BCM connector	Terminal	OPEN	0
M21	130	CLOSE	

JPMIA0011GB



Is the inspection result normal?

- YES >> GO TO 4
 NO >> GO TO 2

2. CHECK TRUNK LAMP SWITCH CIRCUIT

- Disconnect BCM connector.

TRUNK LAMP SWITCH

< COMPONENT DIAGNOSIS >

- Check continuity between BCM connector and trunk lamp switch and trunk release solenoid connector.

BCM connector	Terminal	Trunk lamp switch and trunk release solenoid connector	Terminal	Continuity
A: M21	130	B: T7	2	Yes

- Check continuity between BCM connector and ground.

BCM connector	Terminal	Ground	Continuity
A: M21	130		No

Is the inspection result normal?

YES >> GO TO 3

NO >> Repair or replace harness between BCM and trunk lamp switch and trunk release solenoid.

3.CHECK TRUNK LAMP SWITCH GROUND CIRCUIT

Check continuity between trunk lid lock assembly connector and ground.

Trunk lamp switch and trunk release solenoid connector	Terminal	Ground	Continuity
T7	3		Yes

Is the inspection result normal?

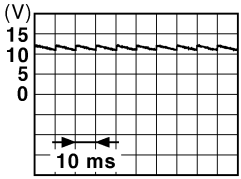
YES >> GO TO 4

NO >> Repair or replace trunk lamp switch and trunk release solenoid ground circuit.

4.CHECK BCM OUTPUT SIGNAL

- Insure trunk remains closed during this step.
- Connect BCM connector.
- Check voltage between BCM connector and ground.

Terminals		Voltage (V) (Approx.)
(+)	(-)	
BCM connector	Terminal	
M21	130	Ground



(V)
15
10
5
0

10 ms

JPMIA0011GB

Is the inspection result normal?

YES >> GO TO 5

NO >> Replace BCM. Refer to [BCS-87, "Removal and Installation"](#).

5.CHECK TRUNK ROOM LAMP SWITCH

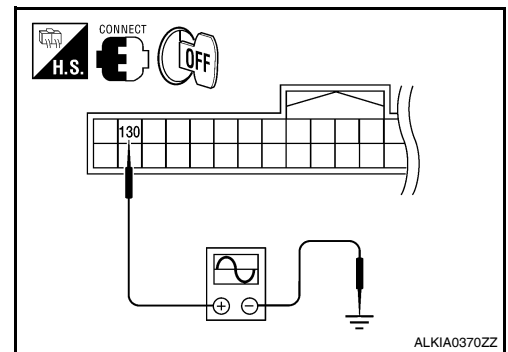
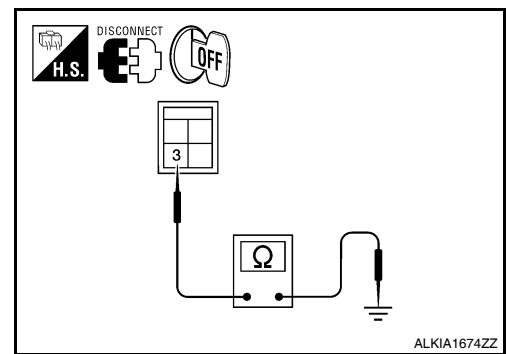
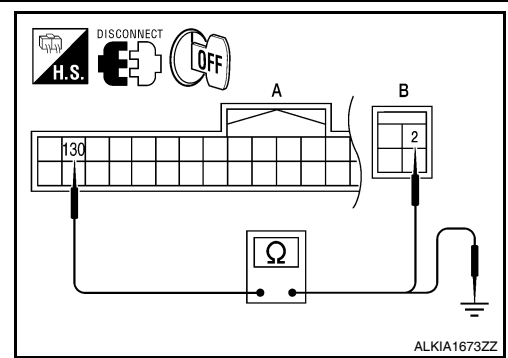
Refer to [DLK-91, "Component Inspection"](#).

Is the inspection result normal?

YES >> GO TO 6

NO >> Replace trunk lamp switch and trunk release solenoid.

6.CHECK INTERMITTENT INCIDENT



TRUNK LAMP SWITCH

< COMPONENT DIAGNOSIS >

Refer to [GI-39. "Intermittent Incident"](#).

>> Inspection End.

Component Inspection

INFOID:000000005461233

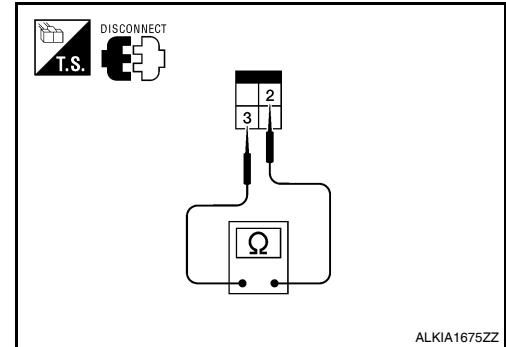
1. CHECK TRUNK LAMP SWITCH

1. Turn ignition switch OFF.
2. Disconnect trunk lamp switch and trunk release solenoid connector.
3. Check trunk lamp switch.

Terminal		Trunk condition	Continuity
Trunk lamp switch and trunk release solenoid			
2	3	OPEN	Yes
		CLOSE	No

Is the inspection result normal?

- YES >> Inspection End.
NO >> Replace trunk lamp switch and trunk release solenoid.



ALKIA1675ZZ

A
B
C
D
E
F
G
H
I
J
L
M
N
O
P

DLK

DOOR REQUEST SWITCH

< COMPONENT DIAGNOSIS >

DOOR REQUEST SWITCH

Description

INFOID:000000005461234

Transmits door lock/unlock operation to BCM.

Component Function Check

INFOID:000000005461235

1. CHECK FUNCTION

With CONSULT-III

Check door request switch REQ SW-DR, REQ SW-AS in Data Monitor mode.

Monitor item	Condition
REQ SW-DR	Door request switch is pressed : ON
REQ SW-AS	Door request switch is released : OFF

Is the inspection result normal?

- YES >> Door request switch is OK.
- NO >> Refer to [DLK-92, "Diagnosis Procedure"](#).

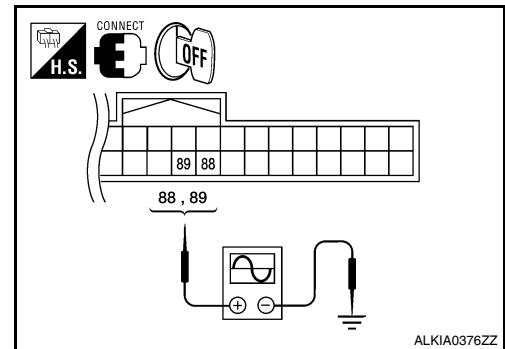
Diagnosis Procedure

INFOID:000000005461236

Regarding Wiring Diagram information, refer to [DLK-161, "Wiring Diagram — INTELLIGENT KEY SYSTEM —"](#).

1. CHECK DOOR REQUEST SWITCH OUTPUT SIGNAL

1. Turn ignition switch OFF.
2. Check voltage between BCM harness connector and ground.



DOOR REQUEST SWITCH

< COMPONENT DIAGNOSIS >

Terminals			Door request switch Condition	Voltage (V) (Approx.)
(+)		(-)		
BCM connector	Terminal			
M19	Door request switch (driver side)	89	Pressed	0
			Released	
	Door request switch (passenger side)	88	Pressed	0
			Released	

Is the inspection result normal?

- YES >> GO TO 6
- NO >> GO TO 2

2. CHECK DOOR REQUEST SWITCH CIRCUIT

1. Disconnect BCM and front outside handle connector.
2. Check continuity between BCM connector and front outside handle connector.

BCM connector	Terminal	Front outside handle connector	Terminal	Continuity
A: M19	89	B: D15 (driver side)	3	Yes
	88	B: D115 (passenger side)		

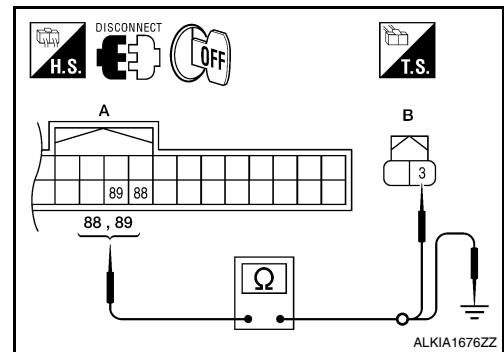
3. Check continuity between BCM connector and ground.

BCM connector	Terminal	Ground	Continuity
A: M19	89	Ground	No
	88		

Is the inspection result normal?

- YES >> GO TO 3
- NO >> Repair or replace harness between BCM and front outside handle.

3. CHECK DOOR REQUEST SWITCH GROUND CIRCUIT



DOOR REQUEST SWITCH

< COMPONENT DIAGNOSIS >

Check continuity between front outside handle connector and ground.

Front outside handle connector	Terminal	Ground	Continuity
D15 (driver side)	4		Yes
D115 (passenger side)			

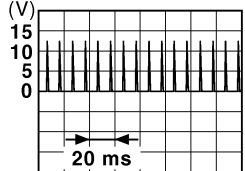
Is the inspection result normal?

YES >> GO TO 4

NO >> Repair or replace front outside handle ground circuit.

4. CHECK BCM OUTPUT SIGNAL

1. Connect BCM connector.
2. Check voltage between BCM connector and ground.

Terminals		Voltage (V) (Approx.)
(+)	(-)	
BCM connector	Terminal	
M19	89 88	
	Ground	

Is the inspection result normal?

YES >> GO TO 5

NO >> Replace BCM. Refer to [BCS-87, "Removal and Installation"](#).

5. CHECK DOOR REQUEST SWITCH

Refer to [DLK-94, "Component Inspection"](#).

Is the inspection result normal?

YES >> GO TO 6

NO >> Replace malfunctioning front outside handle.

6. CHECK INTERMITTENT INCIDENT

Refer to [GI-39, "Intermittent Incident"](#).

>> Inspection End.

Component Inspection

INFOID:000000005461237

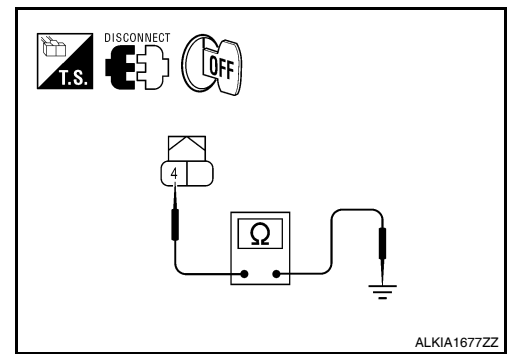
1. CHECK DOOR REQUEST SWITCH

Check front outside handle (request switch).

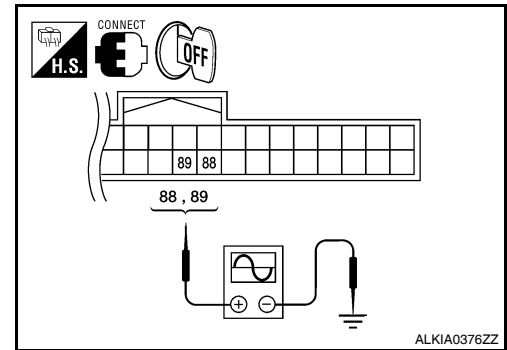
Terminal		Door request switch condition	Continuity
Front outside handle (request switch)			
3	4	Pressed	Yes
		Released	No

Is the inspection result normal?

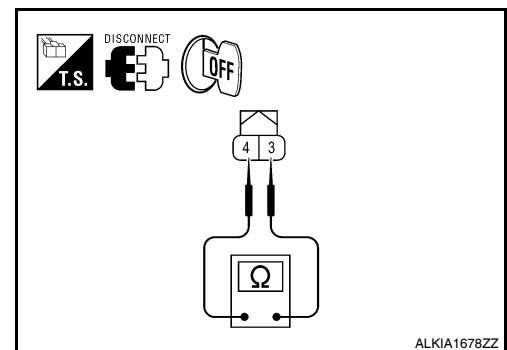
YES >> Inspection End.



ALKIA1677ZZ



ALKIA0376ZZ



ALKIA1678ZZ

DOOR REQUEST SWITCH

< COMPONENT DIAGNOSIS >

NO >> Replace malfunction front outside handle.

A

B

C

D

E

F

G

H

I

J

DLK

L

M

N

O

P

TRUNK OPENER REQUEST SWITCH

< COMPONENT DIAGNOSIS >

TRUNK OPENER REQUEST SWITCH

Description

INFOID:000000005461238

Performs trunk lid open request when it is pressed.

Component Function Check

INFOID:000000005461239

1. CHECK FUNCTION

With CONSULT-III

Check trunk opener request switch REQ SW -BD/TR in Data Monitor mode.

Monitor item	Condition
REQ SW -BD/TR	Trunk opener request switch is pressed : ON
	Trunk opener request switch is released : OFF

Is the inspection result normal?

- YES >> Trunk opener request switch is OK.
- NO >> Refer to [DLK-96, "Diagnosis Procedure"](#).

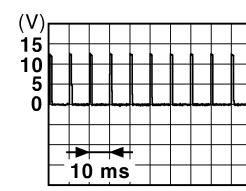
Diagnosis Procedure

INFOID:000000005461240

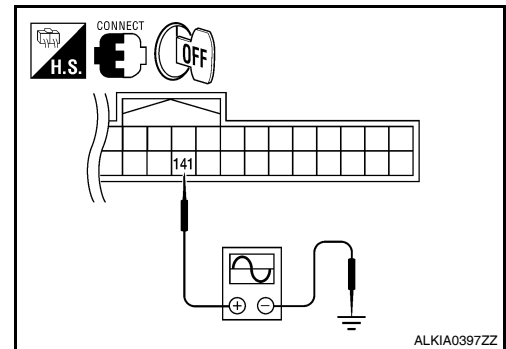
Regarding Wiring Diagram information, refer to [DLK-161, "Wiring Diagram — INTELLIGENT KEY SYSTEM —"](#).

1. CHECK TRUNK OPENER REQUEST SWITCH OUTPUT SIGNAL

1. Turn ignition switch OFF.
2. Check voltage between BCM connector and ground.

Terminals		Trunk lid opener request switch condition	Voltage (V) (Approx.)
(+)	(-)		
BCM connector	Terminal	Pressed	0
M21	141	Released	 <p>(V) 15 10 5 0</p> <p>10 ms</p>

JPMIA0016GB



Is the inspection result normal?

- YES >> GO TO 6
- NO >> GO TO 2

2. CHECK TRUNK OPENER REQUEST SWITCH CIRCUIT

1. Disconnect BCM and trunk opener request switch connector.

TRUNK OPENER REQUEST SWITCH

< COMPONENT DIAGNOSIS >

- Check continuity between BCM connector and trunk opener request switch connector.

BCM connector	Terminal	Trunk opener request switch connector	Terminal	Continuity
A: M21	141	B: T5	1	Yes

- Check continuity between BCM connector and ground.

BCM connector	Terminal	Ground	Continuity
A: M21	141		No

Is the inspection result normal?

YES >> GO TO 3

NO >> Repair or replace harness between BCM and trunk opener request switch.

3.CHECK TRUNK OPENER REQUEST SWITCH GROUND CIRCUIT

Check continuity between trunk opener request switch connector and ground.

Trunk opener request switch connector	Terminal	Ground	Continuity
T5	2		Yes

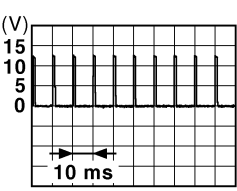
Is the inspection result normal?

YES >> GO TO 4

NO >> Repair or replace trunk opener request switch ground circuit.

4.CHECK BCM OUTPUT SIGNAL

- Connect BCM connector.
- Check voltage between BCM connector and ground.

Terminals		(-)	Voltage (V) (Approx.)
(+)	Terminal		
BCM connector	Terminal		
M21	141	Ground	

JPMIA0016GB

Is the inspection result normal?

YES >> GO TO 5

NO >> Replace BCM. Refer to [BCS-87. "Removal and Installation"](#).

5.CHECK TRUNK OPENER REQUEST SWITCH

Refer to [DLK-98. "Component Inspection"](#).

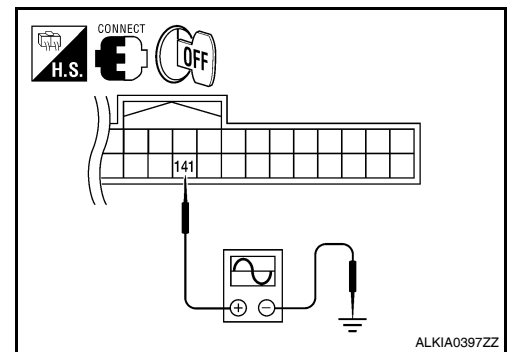
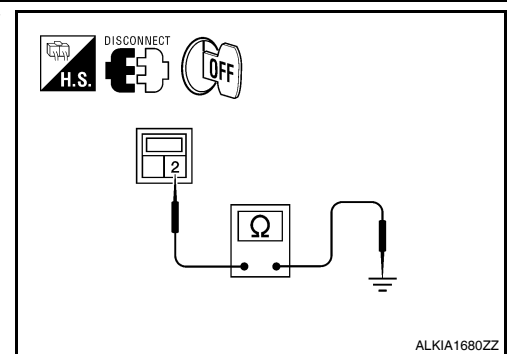
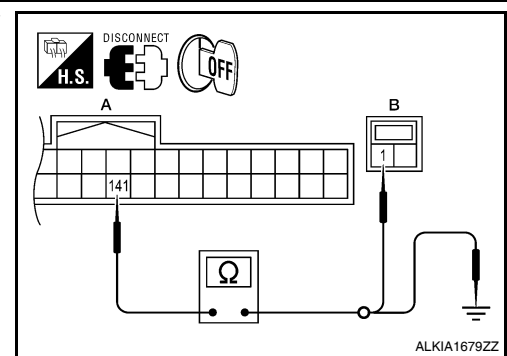
Is the inspection result normal?

YES >> GO TO 6

NO >> Replace trunk opener request switch.

6.CHECK INTERMITTENT INCIDENT

Refer to [GI-39. "Intermittent Incident"](#).



A
B
C
D
E
F
G
H
I
J
L
M
N
O
P

DLK

TRUNK OPENER REQUEST SWITCH

< COMPONENT DIAGNOSIS >

>> Inspection End.

Component Inspection

INFOID:000000005461241

1. CHECK TRUNK OPENER REQUEST SWITCH

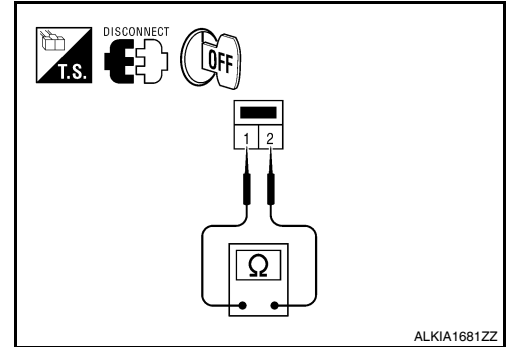
Check trunk opener request switch.

Terminal		Trunk opener request switch condition	Continuity
Trunk opener request switch			
1	2	Pressed	Yes
		Released	No

Is the inspection result normal?

YES >> Inspection End.

NO >> Replace trunk opener request switch.



DOOR LOCK ACTUATOR

< COMPONENT DIAGNOSIS >

DOOR LOCK ACTUATOR DRIVER SIDE

DRIVER SIDE : Description

INFOID:000000005461242

Locks/unlocks the door with the signal from BCM.

DRIVER SIDE : Component Function Check

INFOID:000000005461243

1. CHECK FUNCTION

1. Use CONSULT-III to perform Active Test ("DOOR LOCK").
2. Touch "ALL LOCK" or "ALL UNLOCK" to check that it works normally.

Is the inspection result normal?

- YES >> Door lock actuator is OK.
 NO >> Refer to [DLK-99, "DRIVER SIDE : Diagnosis Procedure"](#).

DRIVER SIDE : Diagnosis Procedure

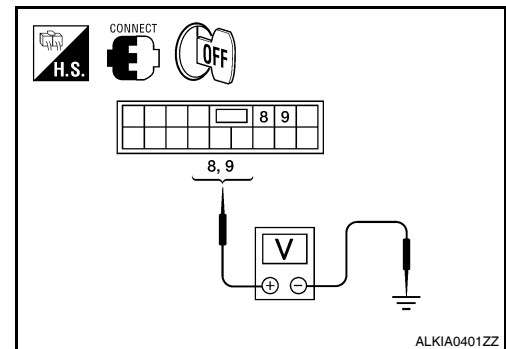
INFOID:000000005461244

Regarding Wiring Diagram information, refer to [DLK-150, "Wiring Diagram — POWER DOOR LOCK SYSTEM —"](#).

1. CHECK OUTPUT SIGNAL

Check voltage between BCM connector and ground.

Terminals		(-)	Condition of door lock and unlock switch	Voltage (V) (Approx.)
(+)	BCM connector			
M17	8	Ground	Lock	0 → Battery voltage → 0
	9		Unlock	0 → Battery voltage → 0



Is the inspection result normal?

- YES >> GO TO 3
 NO >> GO TO 2

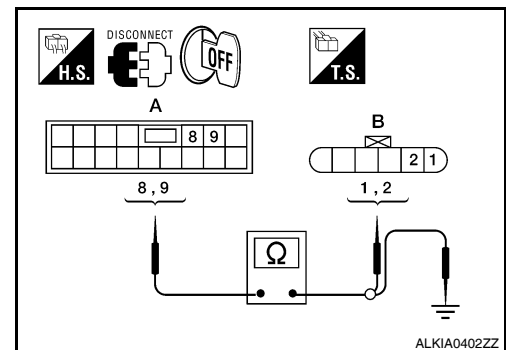
2. CHECK DOOR LOCK ACTUATOR CIRCUIT

1. Turn ignition switch OFF.
2. Disconnect BCM and front door lock actuator driver side connector.
3. Check continuity between BCM connector and front door lock actuator driver side connector.

BCM connector	Terminal	Door lock actuator connector	Terminal	Continuity
A: M17	8	B: D10	1	Yes
	9		2	

4. Check continuity between BCM connector and ground.

BCM connector	Terminal	Continuity
A: M17	8	Ground No
	9	



Is the inspection result normal?

DOOR LOCK ACTUATOR

< COMPONENT DIAGNOSIS >

- YES >> Replace front door lock actuator LH.
 NO >> Repair or replace harness.

3.CHECK INTERMITTENT INCIDENT

Refer to [GI-39. "Intermittent Incident"](#).

>> Inspection End.

PASSENGER SIDE

PASSENGER SIDE : Description

INFOID:000000005461245

Locks/unlocks the door with the signal from BCM.

PASSENGER SIDE : Component Function Check

INFOID:000000005461246

1.CHECK FUNCTION

1. Use CONSULT-III to perform Active Test ("DOOR LOCK").
2. Touch "ALL LOCK" or "ALL UNLOCK" to check that it works normally.

Is the inspection result normal?

- YES >> Door lock actuator is OK.
 NO >> Refer to [DLK-100. "PASSENGER SIDE : Diagnosis Procedure"](#).

PASSENGER SIDE : Diagnosis Procedure

INFOID:000000005461247

Regarding Wiring Diagram information, refer to [DLK-150. "Wiring Diagram — POWER DOOR LOCK SYSTEM —"](#).

1.CHECK DOOR LOCK ACTUATOR SIGNAL

Check voltage between BCM connector and ground.

Terminals		(-)	Condition of door lock and unlock switch	Voltage (V) (Approx.)
(+) BCM connector				
BCM connector	Terminal			
M17	8	Ground	Lock	0 → Battery voltage → 0
	5		Unlock	0 → Battery voltage → 0

Is the inspection result normal?

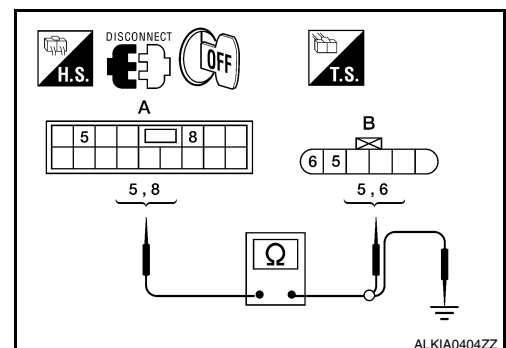
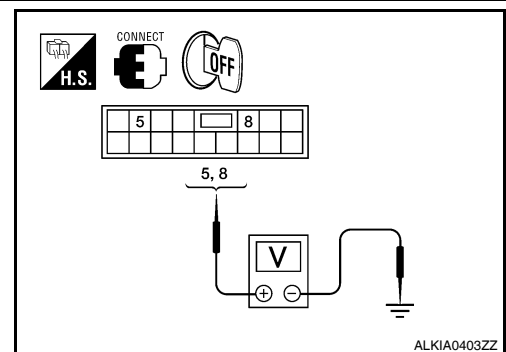
- YES >> GO TO 3
 NO >> GO TO 2

2.CHECK DOOR LOCK ACTUATOR CIRCUIT

1. Disconnect BCM and front door lock actuator RH connectors.
2. Check continuity between BCM connector and front door lock actuator RH.

BCM connector	Terminal	Front door lock actuator RH connector	Terminal	Continuity
A: M17	8	B: D108	5	Yes
	5		6	

3. Check continuity between BCM connector and ground.



DOOR LOCK ACTUATOR

< COMPONENT DIAGNOSIS >

BCM connector	Terminal		Continuity
A: M17	8	Ground	No
	5		

Is the inspection result normal?

YES >> Replace front door lock actuator RH.

NO >> Repair or replace harness.

3.CHECK INTERMITTENT INCIDENT

Refer to [GI-39, "Intermittent Incident"](#).

>> Inspection End.

REAR LH

REAR LH : Description

INFOID:000000005461248

Locks/unlocks the door with the signal from BCM.

REAR LH : Component Function Check

INFOID:000000005461249

1.CHECK FUNCTION

1. Use CONSULT-III to perform Active Test ("DOOR LOCK").
2. Touch "ALL LOCK" or "ALL UNLOCK" to check that it works normally.

Is the inspection result normal?

YES >> Door lock actuator is OK.

NO >> Refer to [DLK-101, "REAR LH : Diagnosis Procedure"](#).

REAR LH : Diagnosis Procedure

INFOID:000000005461250

Regarding Wiring Diagram information, refer to [DLK-150, "Wiring Diagram — POWER DOOR LOCK SYSTEM —"](#).

1.CHECK DOOR LOCK ACTUATOR SIGNAL

Check voltage between BCM connector and ground.

Terminals		(-)	Condition of door lock and unlock switch	Voltage (V) (Approx.)
(+)	BCM connector			
	Terminal	Ground	Lock	0 → Battery voltage → 0
M17	8		Unlock	0 → Battery voltage → 0
	10			

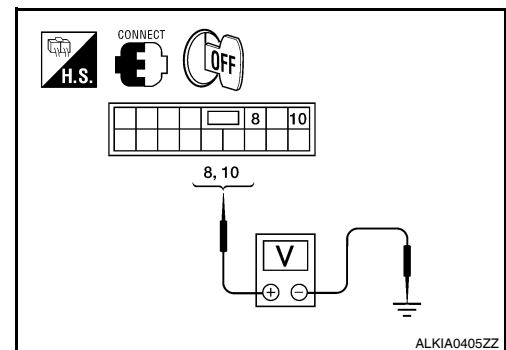
Is the inspection result normal?

YES >> GO TO 3

NO >> GO TO 2

2.CHECK DOOR LOCK ACTUATOR CIRCUIT

1. Disconnect BCM and rear door lock actuator LH connectors.



DOOR LOCK ACTUATOR

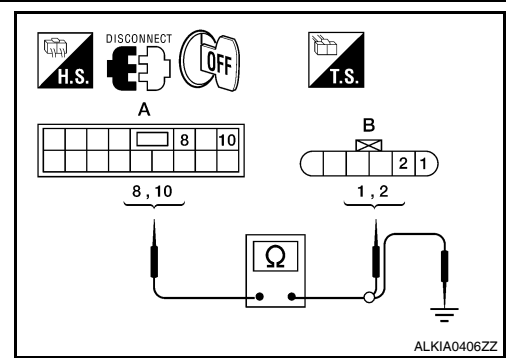
< COMPONENT DIAGNOSIS >

- Check continuity between BCM connector and rear door lock actuator LH connectors.

BCM connector	Terminal	Door lock actuator connector	Terminal	Continuity
A: M17	8	B: D205	1	Yes
	10		2	

- Check continuity between BCM connector and ground.

BCM connector	Terminal	Continuity
A: M17	8	Ground
	10	



Is the inspection result normal?

- YES >> Replace rear door lock actuator LH.
- NO >> Repair or replace harness.

3. CHECK INTERMITTENT INCIDENT

Refer to [GI-39. "Intermittent Incident"](#).

>> Inspection End.

REAR RH

REAR RH : Description

INFOID:000000005461251

Locks/unlocks the door with the signal from BCM.

REAR RH : Component Function Check

INFOID:000000005461252

1. CHECK FUNCTION

- Use CONSULT-III to perform Active Test ("DOOR LOCK").
- Touch "ALL LOCK" or "ALL UNLOCK" to check that it works normally.

Is the inspection result normal?

- YES >> Door lock actuator is OK.
- NO >> Refer to [DLK-102. "REAR RH : Diagnosis Procedure"](#).

REAR RH : Diagnosis Procedure

INFOID:000000005461253

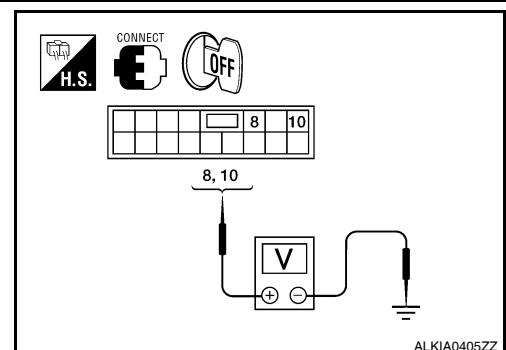
Regarding Wiring Diagram information, refer to [DLK-150. "Wiring Diagram — POWER DOOR LOCK SYSTEM —"](#).

1. CHECK DOOR LOCK ACTUATOR SIGNAL

Check voltage between BCM connector and ground.

Terminals		Condition of door lock and unlock switch	Voltage (V) (Approx.)
(+)			
BCM connector	Terminal		
M17	8	Lock	0 → Battery voltage → 0
	10	Unlock	0 → Battery voltage → 0

Is the inspection result normal?



DOOR LOCK ACTUATOR

< COMPONENT DIAGNOSIS >

YES >> GO TO 3

NO >> GO TO 2

2.CHECK DOOR LOCK ACTUATOR CIRCUIT

1. Disconnect BCM and rear door lock actuator RH connectors.
2. Check continuity between BCM connector and rear door lock actuator RH connectors.

BCM connector	Terminal	Door lock actuator connector	Terminal	Continuity
A: M17	8	B: D305	5	Yes
	10		6	

3. Check continuity between BCM connector and ground.

BCM connector	Terminal	Continuity
A: M17	8	Ground
	10	

Is the inspection result normal?

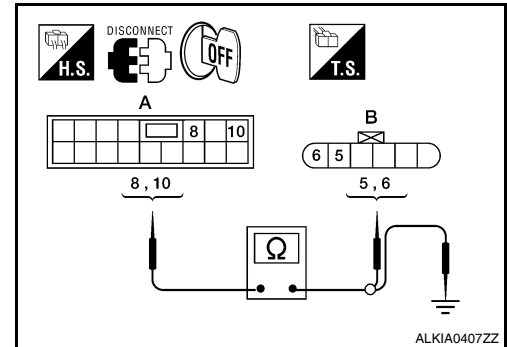
YES >> Replace rear door lock actuator RH.

NO >> Repair or replace harness.

3.CHECK INTERMITTENT INCIDENT

Refer to [GI-39, "Intermittent Incident"](#).

>> Inspection End.



A
B
C
D
E
F
G
H
I
J
L
M
N
O
P

DLK

TRUNK RELEASE SOLENOID

< COMPONENT DIAGNOSIS >

TRUNK RELEASE SOLENOID

Description

INFOID:000000005461254

Performs trunk lid open with signal from BCM.

Component Function Check

INFOID:000000005461255

1.CHECK TRUNK LID OPENER CANCEL SWITCH

Check trunk lid opener cancel switch position.

Is trunk lid opener cancel switch turned OFF (CANCEL)?

- Yes >> Turn on trunk lid opener cancel switch.
- No >> GO TO 2.

2.CHECK FUNCTION

1. Perform Active Test TRUNK/GLASS HATCH with CONSULT-III.
2. Touch "OPEN" and check that trunk lid opens.

Is the inspection result normal?

- YES >> Trunk lid opener actuator is OK.
- NO >> Refer to [DLK-104. "Diagnosis Procedure"](#).

Diagnosis Procedure

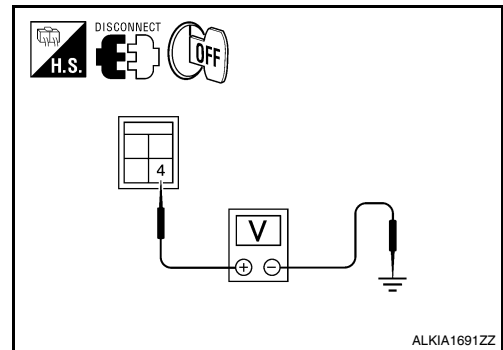
INFOID:000000005461256

Regarding Wiring Diagram information, refer to [DLK-177. "Wiring Diagram — TRUNK LID OPENER SYSTEM —"](#).

1.CHECK OUTPUT CIRCUIT

1. Turn ignition switch OFF.
2. Disconnect trunk lamp switch and trunk release solenoid connector.
3. Check voltage between trunk lamp switch and trunk release solenoid connector and ground.

Terminals		(-)	Condition of trunk lid opener switch	Voltage (V) (Approx.)
(+)	Terminal			
Trunk lamp switch and trunk release solenoid connector	4	Ground	OFF → ON	0 → Battery voltage → 0



Is the inspection result normal?

- YES >> GO TO 4
- NO >> GO TO 2

2.CHECK OUTPUT SIGNAL

TRUNK RELEASE SOLENOID

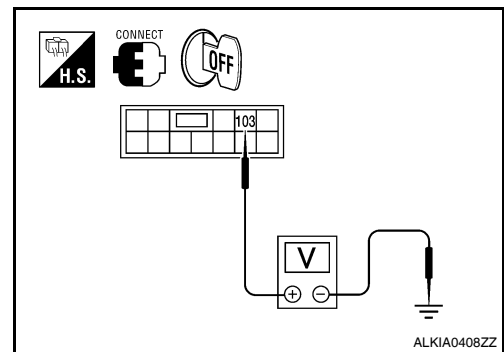
< COMPONENT DIAGNOSIS >

Check voltage between BCM connector and ground.

Terminals		(-)	Condition of trunk lid opener switch	Voltage (V) (Approx.)
(+)				
BCM connector	Terminal			
M20	103	Ground	OFF → ON	0 → Battery voltage → 0

Is the inspection result normal?

- YES >> Repair or replace harness.
- NO >> GO TO 3



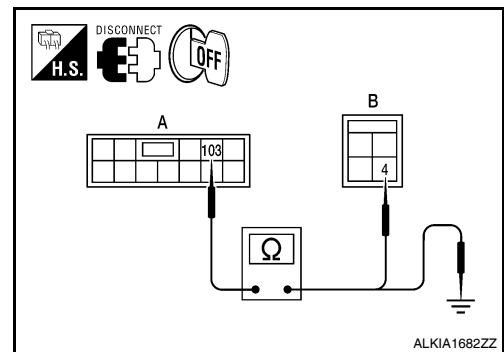
3. CHECK TRUNK LID OPENER ACTUATOR CIRCUIT

1. Disconnect BCM.
2. Check continuity between BCM connector and trunk lamp switch and trunk release solenoid connector.

BCM connector	Terminal	Trunk lamp switch and trunk release solenoid connector	Terminal	Continuity
A: M20	103	B: T7	4	Yes

3. Check continuity between BCM connector and ground.

BCM connector	Terminal		Continuity
A: M20	103	Ground	No



Is the inspection result normal?

- YES >> Replace BCM. Refer to [BCS-87. "Removal and Installation"](#).
- NO >> Repair or replace harness.

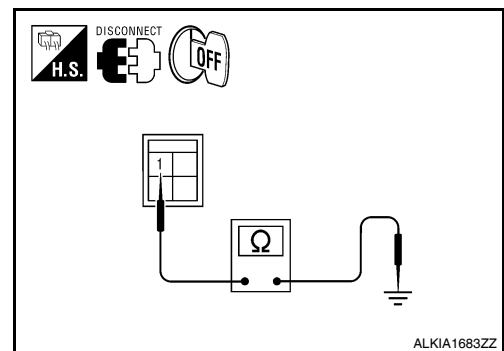
4. CHECK TRUNK LID OPENER GROUND CIRCUIT

Check continuity between trunk lamp switch and trunk release solenoid connector and ground.

Trunk lamp switch and trunk release solenoid connector	Terminal		Continuity
T7	1	Ground	Yes

Is the inspection result normal?

- YES >> Replace trunk lamp switch and trunk release solenoid.
- NO >> Repair or replace harness.



A
B
C
D
E
F
G
H
I
J
DLK
L
M
N
O
P

INTELLIGENT KEY WARNING BUZZER

< COMPONENT DIAGNOSIS >

INTELLIGENT KEY WARNING BUZZER

Description

INFOID:000000005461257

Answers back and warns for an inappropriate operation.

Component Function Check

INFOID:000000005461258

1. CHECK FUNCTION

With CONSULT-III

Check Intelligent Key warning buzzer OUTSIDE BUZZER in Active Test mode.

Is the inspection result normal?

- YES >> Intelligent Key warning buzzer (engine room) is OK.
- NO >> Refer to [DLK-106, "Diagnosis Procedure"](#).

Diagnosis Procedure

INFOID:000000005461259

Regarding Wiring Diagram information, refer to [DLK-161, "Wiring Diagram — INTELLIGENT KEY SYSTEM —"](#).

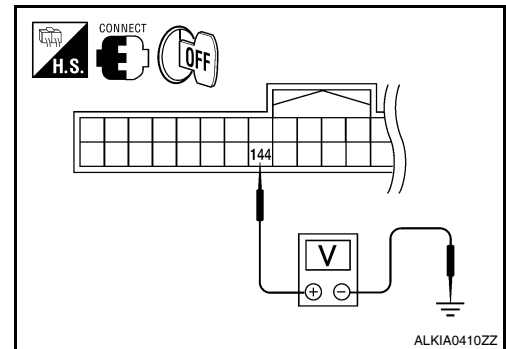
1. CHECK INTELLIGENT KEY WARNING BUZZER

Check voltage between BCM connector and ground.

Terminals		Warning buzzer operation condition	Voltage (V) (Approx.)
(+)	(-)		
BCM connector	Terminal		
M21	144	ON	0
		OFF	Battery voltage

Is the inspection result normal?

- YES >> GO TO 5
- NO >> GO TO 2



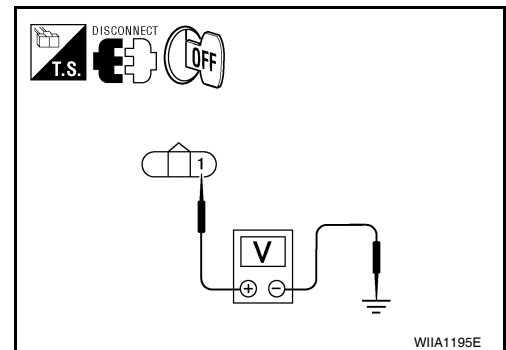
2. CHECK INTELLIGENT KEY WARNING BUZZER POWER SUPPLY CIRCUIT

1. Turn ignition switch OFF.
2. Disconnect Intelligent Key warning buzzer connector.
3. Check voltage between Intelligent Key warning buzzer connector and ground.

Terminals		Voltage (V) (Approx.)
(+)	(-)	
Intelligent Key warning buzzer connector	Terminal	
E28	1	Battery voltage

Is the inspection result normal?

- YES >> GO TO 3
- NO >> Repair or replace Intelligent Key warning buzzer power supply circuit.



3. CHECK INTELLIGENT KEY WARNING BUZZER CIRCUIT

1. Disconnect BCM connector.

INTELLIGENT KEY WARNING BUZZER

< COMPONENT DIAGNOSIS >

2. Check continuity between BCM connector and Intelligent Key warning buzzer connector.

A: BCM connector	Terminal	Intelligent Key warning buzzer connector	Terminal	Continuity
M21	144	B: E28	3	Yes

3. Check continuity between BCM connector and ground.

BCM connector	Terminal	Ground	Continuity
A: M21	144		No

Is the inspection result normal?

OK >> GO TO 4

NG >> Repair or replace harness between BCM and Intelligent Key warning buzzer.

4. CHECK INTELLIGENT KEY WARNING BUZZER

Check [DLK-107, "Component Inspection"](#).

Is the inspection result normal?

YES >> GO TO 5

NO >> Replace Intelligent Key warning buzzer.

5. CHECK INTERMITTENT INCIDENT

Check [GI-39, "Intermittent Incident"](#).

>> Inspection End.

Component Inspection

INFOID:000000005461260

1. CHECK INTELLIGENT KEY WARNING BUZZER

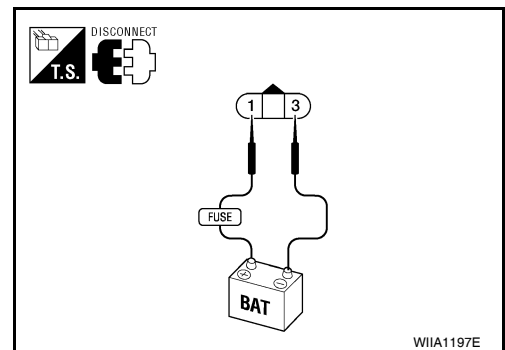
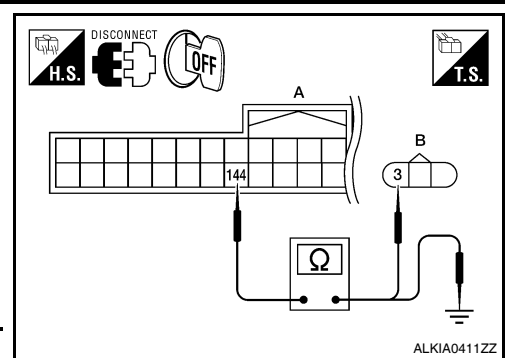
Connect battery power supply to Intelligent Key warning buzzer terminals 1 and 3, and check the operation.

1 (BAT+) - 3 (BAT-) : the buzzer sounds

Is the inspection result normal?

YES >> Inspection End.

NO >> Replace Intelligent Key warning buzzer.



A
B
C
D
E
F
G
H
I
J
DLK
L
M
N
O
P

OUTSIDE KEY ANTENNA

< COMPONENT DIAGNOSIS >

OUTSIDE KEY ANTENNA

Description

INFOID:000000005461261

Detects whether Intelligent Key is outside the vehicle.
Integrated in front outside handle (driver side, passenger side) and installed in rear bumper.

Component Function Check

INFOID:000000005461262

1. CHECK DOOR REQUEST SWITCH

Check that door request switch operates normally.

Is the inspection result normal?

YES >> GO TO 2

NO >> Inspect door request switch. Refer to [DLK-92, "Component Function Check"](#).

2. CHECK FUNCTION

Be sure that Intelligent Key is in each outside key antenna detection range.

Does door lock/unlock when each request switch is pressed?

YES >> Outside key antenna is OK.

NO >> Refer to [DLK-108, "Diagnosis Procedure"](#).

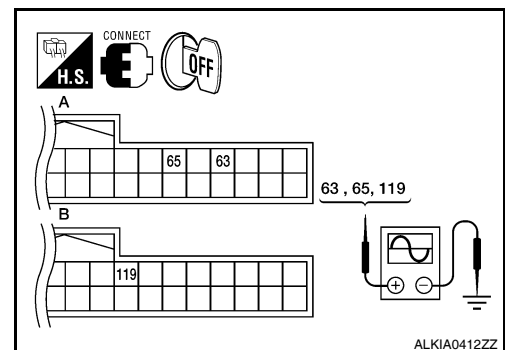
Diagnosis Procedure

INFOID:000000005461263

Regarding Wiring Diagram information, refer to [DLK-161, "Wiring Diagram — INTELLIGENT KEY SYSTEM —"](#).

1. CHECK OUTSIDE KEY ANTENNA INPUT SIGNAL 1

1. Turn ignition switch OFF.
2. Check signal between BCM connector and ground with oscilloscope.



OUTSIDE KEY ANTENNA

< COMPONENT DIAGNOSIS >

Terminals			(-)	Condition	Signal (Reference value.)
(+) BCM connector		Terminal			
A: M19	Driver side Passenger side	65 63			
B: M21	Rear bumper	119	When Intelligent Key is not in the antenna detection area.	<p>JMKIA0060GB</p>	

Is the inspection result normal?

- YES >> GO TO 4
NO >> GO TO 2

2. CHECK OUTSIDE KEY ANTENNA CIRCUIT

- Disconnect BCM and front outside handle connector.
- Check continuity between BCM connector and outside key antenna connector.

BCM connector	Terminal	Outside key antenna connector	Terminal	Continuity
A: M19	65	C: D6 (driver side)	1	Yes
	64		2	
	63	C: D106 (passenger side)	1	
	62		2	
B: M21	119	D: B46 (rear bumper)	1	Yes
	118		2	

- Check continuity between BCM connector and ground.

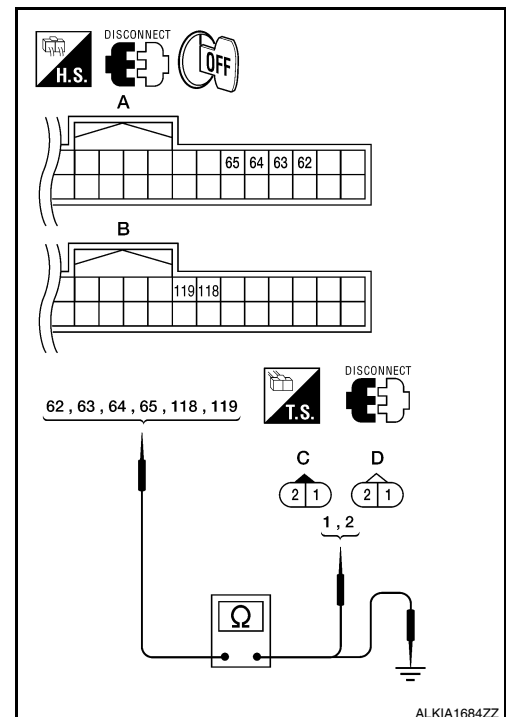
BCM connector	Terminal	Continuity
A: M19	62	Ground No
	63	
	64	
	65	
B: M21	118	Ground No
	119	

Is the inspection result normal?

- YES >> GO TO 3
NO >> Repair or replace harness between BCM and outside key antenna.

3. CHECK OUTSIDE KEY ANTENNA INPUT SIGNAL 2

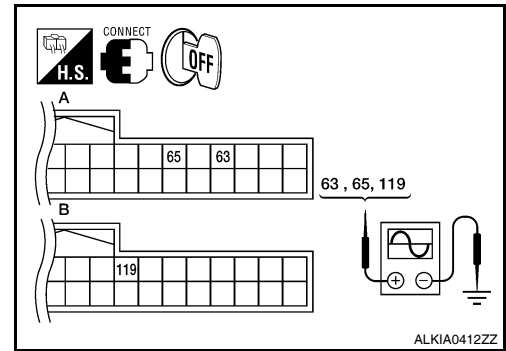
- Replace outside key antenna. (new antenna or other antenna)
- Connect BCM and outside key antenna connector.



OUTSIDE KEY ANTENNA

< COMPONENT DIAGNOSIS >

3. Check signal between BCM connector and ground with oscilloscope.



Terminals			(-)	Condition	Signal (Reference value.)
(+) BCM connector		Terminal			
A: M19	Driver side	65			
	Passenger side	63			
B: M21	Rear bumper	119		When Intelligent Key is not in the antenna detection area.	

Is the inspection result normal?

YES >> Replace outside key antenna.

NO >> GO TO 4

4. CHECK INTERMITTENT INCIDENT

Refer to [GI-39. "Intermittent Incident"](#).

>> Inspection End.

REMOTE KEYLESS ENTRY RECEIVER

< COMPONENT DIAGNOSIS >

REMOTE KEYLESS ENTRY RECEIVER

Description

INFOID:000000005461264

Receives Intelligent Key operation and transmits to BCM.

Component Function Check

INFOID:000000005461265

1.CHECK FUNCTION

With CONSULT-III

Check remote keyless entry receiver RKE OPE COUN1 in Data Monitor mode with CONSULT-III.

Monitor item	Condition
RKE OPE COUN1	Checks whether value changes when operating Intelligent Key.

Is the inspection result normal?

- YES >> Remote keyless entry receiver is OK.
- NO >> Refer to [DLK-111. "Diagnosis Procedure"](#).

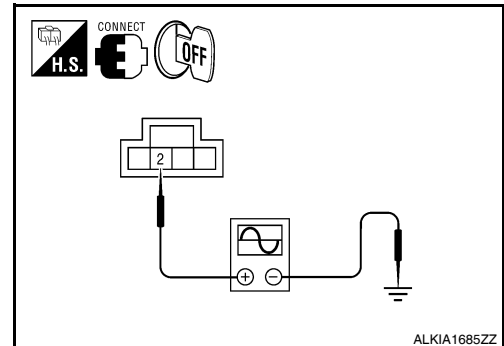
Diagnosis Procedure

INFOID:000000005461266

Regarding Wiring Diagram information, refer to [DLK-161. "Wiring Diagram — INTELLIGENT KEY SYSTEM —"](#).

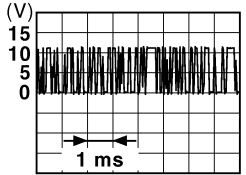
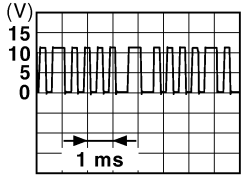
1.CHECK REMOTE KEYLESS ENTRY RECEIVER OUTPUT SIGNAL

1. Turn ignition switch OFF.
2. Check signal between remote keyless entry receiver connector and ground with oscilloscope.



REMOTE KEYLESS ENTRY RECEIVER

< COMPONENT DIAGNOSIS >

Terminals		(-)	Condition	Signal (Reference value)
(+)	Terminal			
Remote keyless entry receiver connector				
M27	2	Ground	Waiting (All doors closed)	 <p>JMKIA0064GB</p>
			When signal is received (All doors closed)	 <p>JMKIA0065GB</p>

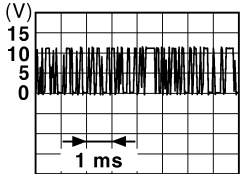
Is the inspection result normal?

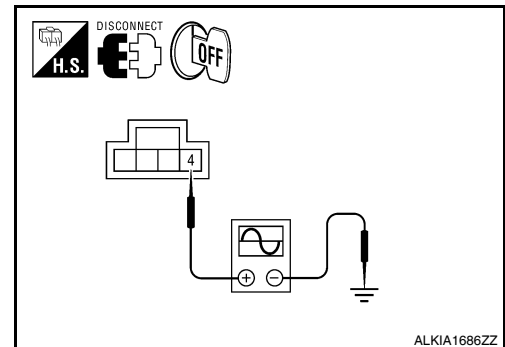
YES >> GO TO 7

NO >> GO TO 2

2. CHECK REMOTE KEYLESS ENTRY RECEIVER POWER SUPPLY

1. Disconnect remote keyless entry receiver connector.
2. Check signal between remote keyless entry receiver connector and ground with oscilloscope.

Terminals		(-)	Signal (Reference value)
(+)	Terminal		
Remote keyless entry receiver connector			
M27	4	Ground	 <p>JMKIA0064GB</p>



Is the inspection result normal?

YES >> GO TO 4

NO >> GO TO 3

3. CHECK REMOTE KEYLESS ENTRY RECEIVER CIRCUIT 1

1. Disconnect BCM connector.

REMOTE KEYLESS ENTRY RECEIVER

< COMPONENT DIAGNOSIS >

- Check continuity between BCM connector and remote keyless entry receiver connector.

BCM connector	Terminal	Remote keyless entry receiver connector	Terminal	Continuity
A: M19	91	B: M27	4	Yes

- Check continuity between BCM connector and ground.

BCM connector	Terminal	Ground	Continuity
A: M19	91		No

Is the inspection result normal?

YES >> Reconnect BCM, GO TO 4

NO >> Repair or replace harness between BCM and remote keyless entry receiver.

4.CHECK REMOTE KEYLESS ENTRY RECEIVER GROUND CIRCUIT

Check continuity between remote keyless entry receiver connector and ground.

Remote keyless entry receiver connector	Terminal	Ground	Continuity
M27	1		Yes

Is the inspection result normal?

YES >> GO TO 6

NO >> GO TO 5

5.CHECK REMOTE KEYLESS ENTRY RECEIVER CIRCUIT 2

Check continuity between BCM connector and remote keyless entry receiver connector.

BCM connector	Terminal	Remote keyless entry receiver connector	Terminal	Continuity
A: M18	45	B: M27	1	Yes

Is the inspection result normal?

YES >> GO TO 7

NO >> Repair or replace harness between BCM and remote keyless entry receiver.

6.CHECK REMOTE KEYLESS ENTRY RECEIVER CIRCUIT 3

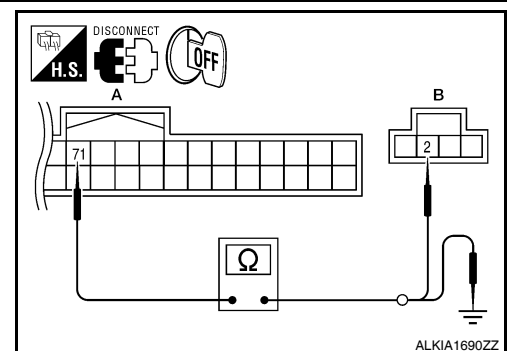
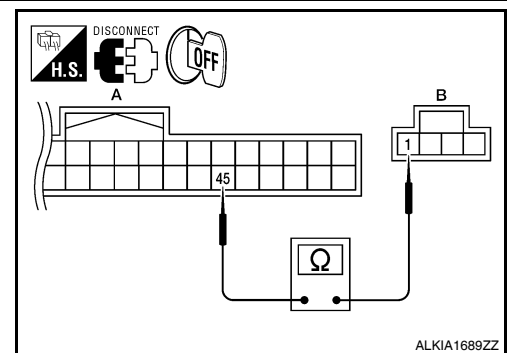
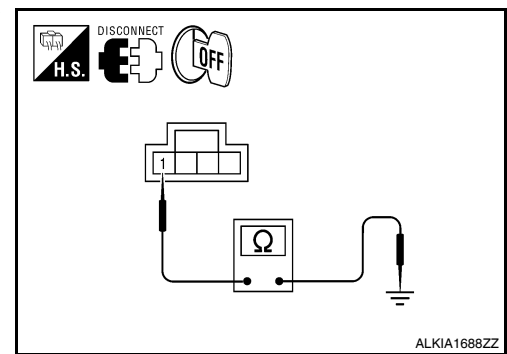
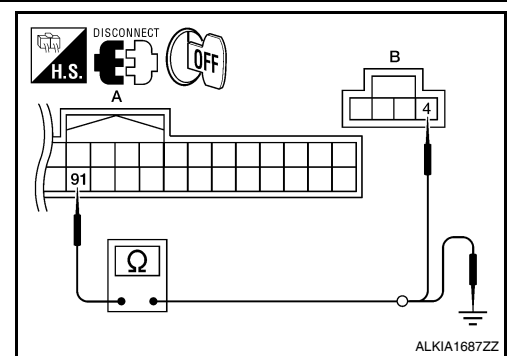
- Check continuity between BCM connector and remote keyless entry receiver connector.

BCM connector	Terminal	Remote keyless entry receiver connector	Terminal	Continuity
A: M19	71	B: M27	2	Yes

- Check continuity between BCM connector and ground.

BCM connector	Terminal	Ground	Continuity
A: M19	71		No

Is the inspection result normal?



A
B
C
D
E
F
G
H
I
J
DLK
L
M
N
O
P

REMOTE KEYLESS ENTRY RECEIVER

< COMPONENT DIAGNOSIS >

YES >> GO TO 7

NO >> Repair or replace harness between BCM and remote keyless entry.

7.CHECK INTERMITTENT INCIDENT

Refer to [GI-39. "Intermittent Incident"](#).

>> Inspection End.

INTELLIGENT KEY

< COMPONENT DIAGNOSIS >

INTELLIGENT KEY

Description

INFOID:000000005461267

The following functions are available when having and carrying the Intelligent Key.

- Door lock/unlock
- Trunk open

Remote control entry function and panic alarm function are available when operating the remote buttons.

Component Function Check

INFOID:000000005461268

1. CHECK FUNCTION

With CONSULT-III

Check remote keyless entry receiver RKE OPE COUN1 in Data Monitor mode with CONSULT-III.

Monitor item	Condition
RKE OPE COUN1	Check that the numerical value is changing while operating with the Intelligent Key.

Is the inspection result normal?

YES >> Intelligent Key is OK.

NO >> Refer to [DLK-115, "Diagnosis Procedure"](#).

Diagnosis Procedure

INFOID:000000005461269

1. CHECK INTELLIGENT KEY BATTERY

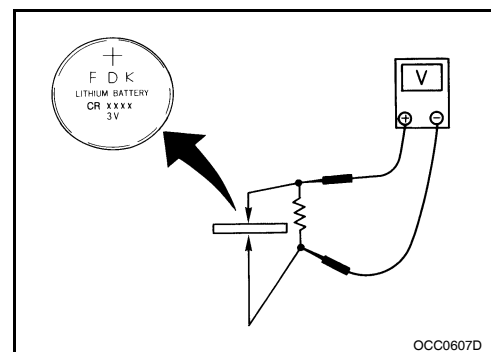
Check by connecting a resistance (approximately 300Ω) so that the current value becomes about 10 mA.

Standard : Approx. 2.5 - 3.0V

Is the measurement value within specification?

YES >> GO TO 2

NO >> Replace Intelligent Key battery. Refer to [DLK-238, "Removal and Installation"](#).



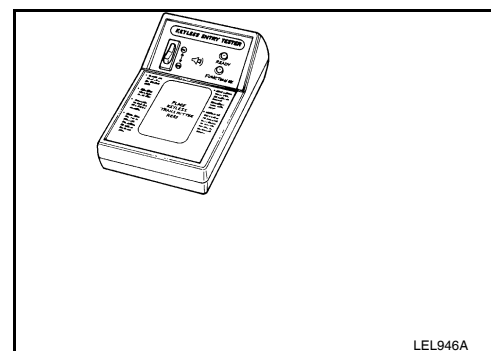
2. CHECK KEYFOB FUNCTION

Check keyfob function using Remote Keyless Entry Tester J-43241.

Does the test pass?

YES >> Keyfob is OK.

NO >> Replace keyfob. Refer to CONSULT-III Operation Manual.



KEY SLOT ILLUMINATION

< COMPONENT DIAGNOSIS >

KEY SLOT ILLUMINATION

Description

INFOID:000000005461270

Blinks when Intelligent Key insertion is required.

Component Function Check

INFOID:000000005461271

1.CHECK FUNCTION

Ⓜ With CONSULT-III

Check key slot illumination KEY SLOT ILLUMI in Active Test mode.

Is the inspection result normal?

- YES >> Key slot function is OK.
- NO >> Refer to [DLK-116, "Diagnosis Procedure"](#).

Diagnosis Procedure

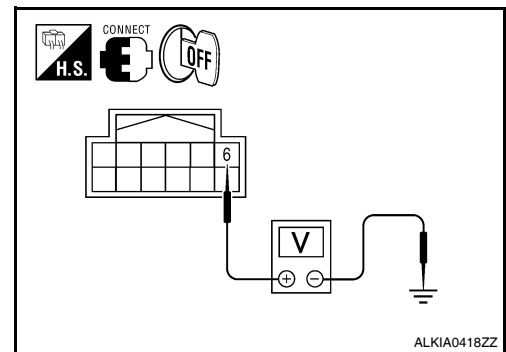
INFOID:000000005461272

Regarding Wiring Diagram information, refer to [DLK-161, "Wiring Diagram — INTELLIGENT KEY SYSTEM —"](#).

1.CHECK KEY SLOT ILLUMINATION OUTPUT SIGNAL

Check voltage between key slot connector and ground.

Terminals			Condition	Key slot illumination	Voltage (V) (Approx.)
(+)		(-)			
Key slot connector	Terminal				
M40	6	Ground	Intelligent Key inserted	OFF	Battery voltage
			Intelligent Key removed	ON	0



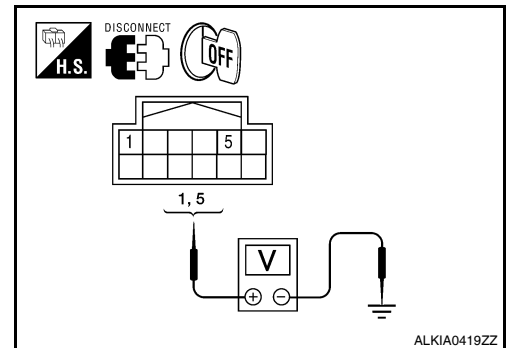
Is the inspection result normal?

- YES >> GO TO 6
- NO >> GO TO 2

2.CHECK KEY SLOT POWER SUPPLY CIRCUIT

1. Turn ignition switch OFF.
2. Disconnect key slot connector.
3. Check voltage between slot connector and ground.

Terminals			Voltage (V) (Approx.)
(+)		(-)	
Key slot connector	Terminal		
M40	1	Ground	Battery voltage
	5		



Is the inspection result normal?

- YES >> GO TO 3
- NO >> Repair or replace key slot power supply circuit.

3.CHECK KEY SLOT GROUND CIRCUIT

KEY SLOT ILLUMINATION

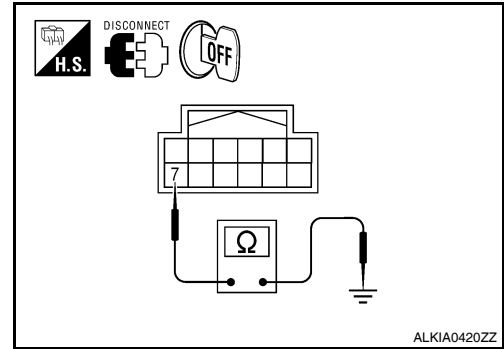
< COMPONENT DIAGNOSIS >

Check continuity between key slot connector and ground.

Key slot connector	Terminal	Ground	Continuity
M40	7		Yes

Is the inspection result normal?

- YES >> GO TO 4.
- NO >> Repair or replace key slot ground circuit.



4. CHECK KEY SLOT CIRCUIT

1. Turn ignition switch OFF.
2. Disconnect BCM and key slot connector.
3. Check continuity between BCM connector and key slot connector.

BCM connector	Terminal	Key slot connector	Terminal	Continuity
A: M19	80	B: M40	6	Yes

4. Check continuity between BCM connector and ground.

BCM connector	Terminal	Ground	Continuity
A: M19	80		No

Is the inspection result normal?

- YES >> GO TO 5
- NO >> Repair or replace harness between BCM and key slot.

5. CHECK KEY SLOT

Refer to [DLK-77, "Component Inspection"](#).

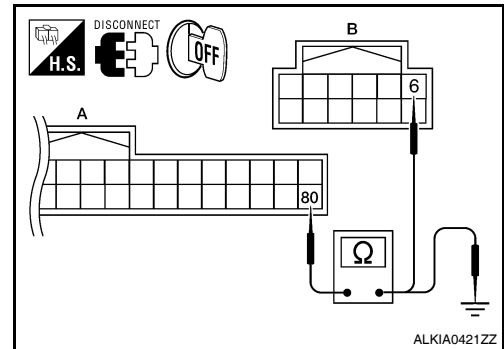
Is the inspection result normal?

- YES >> GO TO 6
- NO >> Replace key slot.

6. CHECK INTERMITTENT INCIDENT

Refer to [GI-39, "Intermittent Incident"](#).

>> Inspection End.



A
B
C
D
E
F
G
H
I
J
L
M
N
O
P

DLK

HORN FUNCTION

< COMPONENT DIAGNOSIS >

HORN FUNCTION

Description

INFOID:000000005461273

Perform answer-back for each operation with horn.

Component Function Check

INFOID:000000005461274

1.CHECK FUNCTION

1. Select HORN in "ACTIVE TEST" mode with CONSULT-III.
2. Check the horn (high/low) operation.

Test item		Description	
HORN	ON	Horn relay	ON (for 20 ms)

Is the operation normal?

- YES >> Inspection End.
 NO >> Go to [DLK-118, "Diagnosis Procedure"](#).

Diagnosis Procedure

INFOID:000000005461275

Regarding Wiring Diagram information, refer to [DLK-161, "Wiring Diagram — INTELLIGENT KEY SYSTEM —"](#).

1.CHECK HORN FUNCTION

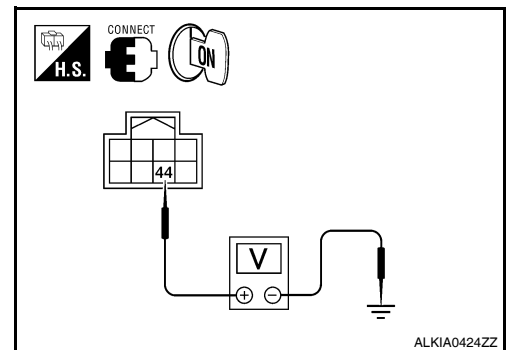
Check horn function with horn switch

Does the horn sound?

- YES >> GO TO 2
 NO >> Refer to [HRN-4, "Wiring Diagram"](#).

2.CHECK HORN RELAY POWER SUPPLY

1. Turn ignition switch ON.
2. Perform "ACTIVE TEST" ("HORN") with CONSULT-III.
3. Using an oscilloscope or analog voltmeter, check voltage between IPDM E/R connector and ground.



IPDM E/R		Ground	Test item	Voltage (V) (Approx.)
Connector	Terminal			
E17	44	Ground	HORN	Battery voltage → 0 → Battery voltage
			Other than above	Battery voltage

Is the inspection result normal?

- YES >> Repair harness for open between IPDM E/R and horn relay.
 NO >> GO TO 3

HORN FUNCTION

< COMPONENT DIAGNOSIS >

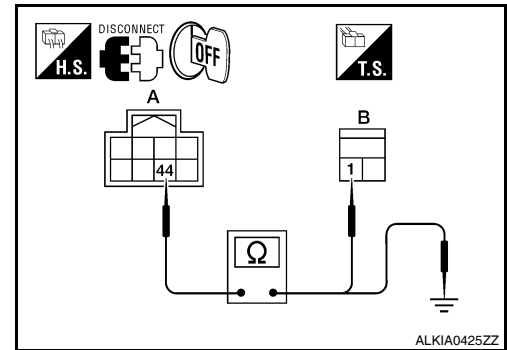
3. CHECK HORN RELAY CIRCUIT

1. Turn ignition switch OFF.
2. Disconnect IPDM E/R and horn relay connector.
3. Check continuity between IPDM E/R harness connector and horn relay harness connector.

IPDM E/R		Horn relay		Continuity
Connector	Terminal	Connector	Terminal	
A: E17	44	B: H-1	1	Yes

4. Check continuity between IPDM E/R harness connector and ground.

IPDM E/R		Ground	Continuity
Connector	Terminal		
A: E17	44	Ground	No



Is the inspection result normal?

- YES >> GO TO 4
- NO >> Repair or replace harness.

4. CHECK INTERMITTENT INCIDENT

Refer to [GI-39. "Intermittent Incident"](#).

Is the inspection result normal?

- YES >> Replace IPDM E/R. Refer to [PCS-41. "Removal and Installation"](#).
- NO >> Repair or replace the malfunctioning part.

A
B
C
D
E
F
G
H
I
J

DLK

L
M
N
O
P

COMBINATION METER DISPLAY FUNCTION

< COMPONENT DIAGNOSIS >

COMBINATION METER DISPLAY FUNCTION

Description

INFOID:000000005461276

Displays each operation method guide and warning for system malfunction.

Component Function Check

INFOID:000000005461277

1.CHECK FUNCTION

With CONSULT-III

Check the operation with ("LCD") in the Active Test.

Is each warning displayed on meter display?

Is the inspection result normal?

YES >> Meter display is OK.

NO >> Refer to [DLK-120, "Diagnosis Procedure"](#).

Diagnosis Procedure

INFOID:000000005461278

1.CHECK COMBINATION METER

Refer to [MWI-74, "DTC Index"](#).

Is the inspection result normal?

YES >> GO TO 2

NO >> Check combination meter. Refer to [MWI-29, "Diagnosis Description"](#).

2.CHECK INTERMITTENT INCIDENT

Refer to [GI-39, "Intermittent Incident"](#).

>> Inspection End.

WARNING CHIME FUNCTION

< COMPONENT DIAGNOSIS >

WARNING CHIME FUNCTION

Description

INFOID:000000005461279

Performs operation method guide and warning with buzzer.

Component Function Check

INFOID:000000005461280

1.CHECK FUNCTION

With CONSULT-III

1. Check the operation with "INSIDE BUZZER" in the Active Test.
2. Touch "TAKE OUT", "KNOB" or "KEY" on screen.

Is the inspection result normal?

- YES >> Warning buzzer into combination meter is OK.
NO >> Refer to [DLK-121, "Diagnosis Procedure"](#).

Diagnosis Procedure

INFOID:000000005461281

1.CHECK METER BUZZER CIRCUIT

Refer to [WCS-19, "Component Function Check"](#).

Is the inspection result normal?

- YES >> GO TO 2
NO >> Replace combination meter. Refer to [MWI-140, "Removal and Installation"](#).

2.CHECK INTERMITTENT INCIDENT

Refer to [GI-39, "Intermittent Incident"](#).

>> Inspection End.

A
B
C
D
E
F
G
H
I
J
L
M
N
O
P

DLK

HAZARD FUNCTION

< COMPONENT DIAGNOSIS >

HAZARD FUNCTION

Description

INFOID:000000005461282

Perform answer-back for each operation with number of blinks.

Component Function Check

INFOID:000000005461283

1.CHECK FUNCTION

Check hazard warning lamp ("FLASHER") in Active Test.

Is the inspection result normal?

- YES >> Hazard warning lamp circuit is OK.
- NO >> Refer to [EXL-75, "Wiring Diagram"](#).

Diagnosis Procedure

INFOID:000000005461284

1.CHECK HAZARD SWITCH CIRCUIT

Operate the hazard lights by turning ON the hazard warning switch.

Is the inspection result normal?

- YES >> GO TO 2
- NO >> Repair or replace hazard warning switch circuit. Refer to [EXL-6, "Work Flow"](#).

2.CHECK INTERMITTENT INCIDENT

Refer to [GI-39, "Intermittent Incident"](#).

>> Inspection End.

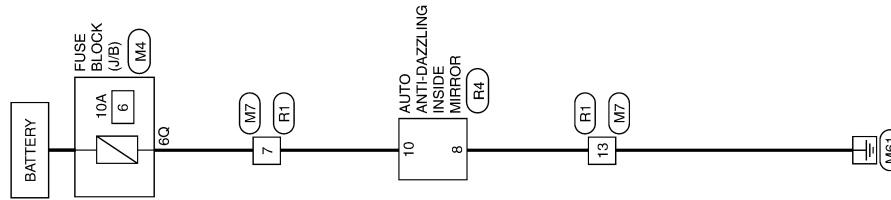
HOMELINK UNIVERSAL TRANSCEIVER

< COMPONENT DIAGNOSIS >

HOMELINK UNIVERSAL TRANSCEIVER

Wiring Diagram

INFOID:000000005461285



HOMELINK UNIVERSAL TRANSCEIVER

A
B
C
D
E
F
G
H
I
J
DLK
L
M
N
O
P

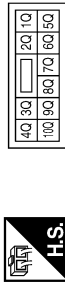
ABKWA0134GE

HOMELINK UNIVERSAL TRANSCEIVER

< COMPONENT DIAGNOSIS >

HOMELINK UNIVERSAL TRANSCEIVER CONNECTORS

Connector No.	M4
Connector Name	FUSE BLOCK (J/B)
Connector Color	WHITE



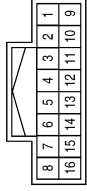
Terminal No.	Color of Wire	Signal Name
6Q	Y/R	--

Connector No.	M7
Connector Name	WIRE TO WIRE
Connector Color	WHITE



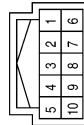
Terminal No.	Color of Wire	Signal Name
7	Y/R	--
13	B	--

Connector No.	R1
Connector Name	WIRE TO WIRE
Connector Color	WHITE



Terminal No.	Color of Wire	Signal Name
7	B/Y	--
13	B	--

Connector No.	R4
Connector Name	AUTO ANTI-DAZZLING INSIDE MIRROR (WITH HOMELINK UNIVERSAL TRANSCEIVER)
Connector Color	BLACK



Terminal No.	Color of Wire	Signal Name
8	B	GND
10	B/Y	BAT+

Description

Homelink universal transceiver can store and transmit a maximum of 3 radio signals. Allows operation of garage doors, gates, home and office lighting, entry door locks and security system, etc. Homelink universal transceiver power supply uses vehicle battery, which enables it to maintain every program in case battery is discharged or removed.

ABKIA1804GB

INFOID:000000005461286

HOMELINK UNIVERSAL TRANSCEIVER

< COMPONENT DIAGNOSIS >

Component Function Check

INFOID:000000005461287

1.CHECK FUNCTION

Check that system receiver (garage door opener, etc.) operates with original hand-held transmitter.

Is the inspection result normal?

- YES >> GO TO 2
- NO >> Receiver or hand-held transmitter is malfunctioning.

2.CHECK ILLUMINATE

1. Turn ignition switch "OFF".
2. Press each of the transmitter buttons and watch for the red light to illuminate with each button.

Is the inspection result normal?

- YES >> GO TO 3
- NO >> Refer to [DLK-125. "Diagnosis Procedure"](#).

3.CHECK TRANSMITTER

Check transmitter with Tool*.

*:For details, refer to Technical Service Bulletin.

Is the inspection result normal?

- YES >> Receiver or hand-held transmitter malfunction, not vehicle related.
- NO >> Replace auto anti-dazzling inside mirror (homelink universal transceiver). Refer to [MIR-19. "Removal and Installation"](#).

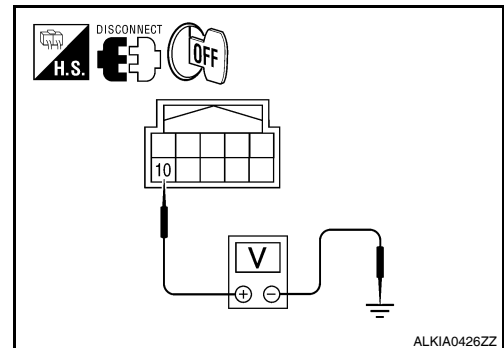
Diagnosis Procedure

INFOID:000000005461288

Regarding Wiring Diagram information, refer to [DLK-123. "Wiring Diagram"](#).

1.CHECK POWER SUPPLY

1. Disconnect auto anti-dazzling inside mirror (homelink universal transceiver) connector.
2. Check voltage between auto anti-dazzling inside mirror (homelink universal transceiver) harness connector and ground.



ALKIA0426ZZ

Auto anti-dazzling inside mirror (Homelink universal transceiver) connector	Terminal		Condition	Voltage (V) (Approx.)
R4	10	Ground	Ignition switch position: LOCK	Battery voltage

Is the inspection result normal?

- YES >> GO TO 2
- NO >> Check the following.
 - 10A fuse [No. 6 located in the fuse block (J/B)]
 - Harness for open or short between fuse and auto anti-dazzling inside mirror (homelink universal transceiver).

2.CHECK GROUND CIRCUIT

HOMELINK UNIVERSAL TRANSCEIVER

< COMPONENT DIAGNOSIS >

Check continuity between auto anti-dazzling inside mirror (homelink universal transceiver) harness connector and ground.

Auto anti-dazzling inside mirror (Homelink universal transceiver) connector	Terminal	Ground	Continuity
R4	8		Yes

Is the inspection result normal?

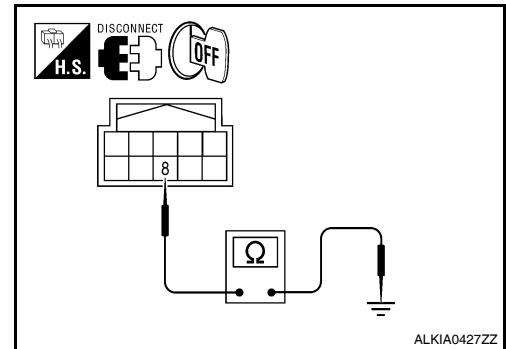
YES >> GO TO 3

NO >> Repair harness.

3. CHECK INTERMITTENT INCIDENT

Refer to [GI-39, "Intermittent Incident"](#).

>> Inspection End.



BCM (BODY CONTROL MODULE)

< ECU DIAGNOSIS >

ECU DIAGNOSIS

BCM (BODY CONTROL MODULE)

Reference Value

INFOID:000000005532024

VALUES ON THE DIAGNOSIS TOOL

Monitor Item	Condition	Value/Status
FR WIPER HI	Other than front wiper switch HI	OFF
	Front wiper switch HI	ON
FR WIPER LOW	Other than front wiper switch LO	OFF
	Front wiper switch LO	ON
FR WASHER SW	Front washer switch OFF	OFF
	Front washer switch ON	ON
FR WIPER INT	Other than front wiper switch INT	OFF
	Front wiper switch INT	ON
FR WIPER STOP	Front wiper is not in STOP position	OFF
	Front wiper is in STOP position	ON
INT VOLUME	Wiper intermittent dial is in a dial position 1 - 7	Wiper intermittent dial position
TURN SIGNAL R	Other than turn signal switch RH	OFF
	Turn signal switch RH	ON
TURN SIGNAL L	Other than turn signal switch LH	OFF
	Turn signal switch LH	ON
TAIL LAMP SW	Other than lighting switch 1ST and 2ND	OFF
	Lighting switch 1ST or 2ND	ON
HI BEAM SW	Other than lighting switch HI	OFF
	Lighting switch HI	ON
HEAD LAMP SW 1	Other than lighting switch 2ND	OFF
	Lighting switch 2ND	ON
HEAD LAMP SW 2	Other than lighting switch 2ND	OFF
	Lighting switch 2ND	ON
PASSING SW	Other than lighting switch PASS	OFF
	Lighting switch PASS	ON
AUTO LIGHT SW	Other than lighting switch AUTO	OFF
	Lighting switch AUTO	ON
FR FOG SW	Front fog lamp switch OFF	OFF
	Front fog lamp switch ON	ON
DOOR SW-DR	Driver door closed	OFF
	Driver door opened	ON
DOOR SW-AS	Passenger door closed	OFF
	Passenger door opened	ON
DOOR SW-RR	Rear door RH closed	OFF
	Rear door RH opened	ON
DOOR SW-RL	Rear door LH closed	OFF
	Rear door LH opened	ON

BCM (BODY CONTROL MODULE)

< ECU DIAGNOSIS >

Monitor Item	Condition	Value/Status
CDL LOCK SW	Other than power door lock switch LOCK	OFF
	Power door lock switch LOCK	ON
CDL UNLOCK SW	Other than power door lock switch UNLOCK	OFF
	Power door lock switch UNLOCK	ON
KEY CYL LK-SW	Other than driver door key cylinder LOCK position	OFF
	Driver door key cylinder LOCK position	ON
KEY CYL UN-SW	Other than driver door key cylinder UNLOCK position	OFF
	Driver door key cylinder UNLOCK position	ON
HAZARD SW	When hazard switch is not pressed	OFF
	When hazard switch is pressed	ON
REAR DEF SW	When rear window defogger switch is pressed	ON
TR CANCEL SW	Trunk lid opener cancel switch OFF	OFF
	Trunk lid opener cancel switch ON	ON
TR/BD OPEN SW	Trunk lid opener switch OFF	OFF
	While the trunk lid opener switch is turned ON	ON
TRNK/HAT MNTR	Trunk lid closed	OFF
	Trunk lid opened	ON
RKE-LOCK	When LOCK button of Intelligent Key is not pressed	OFF
	When LOCK button of Intelligent Key is pressed	ON
RKE-UNLOCK	When UNLOCK button of Intelligent Key is not pressed	OFF
	When UNLOCK button of Intelligent Key is pressed	ON
RKE-TR/BD	When TRUNK OPEN button of Intelligent Key is not pressed	OFF
	When TRUNK OPEN button of Intelligent Key is pressed	ON
RKE-PANIC	When PANIC button of Intelligent Key is not pressed	OFF
	When PANIC button of Intelligent Key is pressed	ON
RKE-P/W OPEN	When UNLOCK button of Intelligent Key is not pressed and held	OFF
	When UNLOCK button of Intelligent Key is pressed and held	ON
RKE-MODE CHG	When LOCK/UNLOCK button of Intelligent Key is not pressed and held simultaneously	OFF
	When LOCK/UNLOCK button of Intelligent Key is pressed and held simultaneously	ON
OPTICAL SENSOR	When outside of the vehicle is bright	Close to 5 V
	When outside of the vehicle is dark	Close to 0 V
REQ SW-DR	When front door request switch is not pressed (driver side)	OFF
	When front door request switch is pressed (driver side)	ON
REQ SW-AS	When front door request switch is not pressed (passenger side)	OFF
	When front door request switch is pressed (passenger side)	ON
REQ SW-RL	When rear door request switch is not pressed (driver side)	OFF
	When rear door request switch is pressed (driver side)	ON
REQ SW-RR	When rear door request switch is not pressed (passenger side)	OFF
	When rear door request switch is pressed (passenger side)	ON
REQ SW-BD/TR	When trunk request switch is not pressed	OFF
	When trunk request switch is pressed	ON
PUSH SW	When engine switch (push switch) is not pressed	OFF
	When engine switch (push switch) is pressed	ON

BCM (BODY CONTROL MODULE)

< ECU DIAGNOSIS >

Monitor Item	Condition	Value/Status	
IGN RLY 2-F/B	Ignition switch OFF or ACC	OFF	A
	Ignition switch ON	ON	
ACC RLY-F/B	Ignition switch OFF	OFF	B
	Ignition switch ACC or ON	ON	
BRAKE SW 1	When the brake pedal is not depressed	ON	C
	When the brake pedal is depressed	OFF	
DETE/CANCL SW	When selector lever is in P position	OFF	D
	When selector lever is in any position other than P	ON	
SFT PN/N SW	When selector lever is in any position other than P or N	OFF	E
	When selector lever is in P or N position	ON	
S/L-LOCK*	Electronic steering column lock LOCK status	OFF	F
	Electronic steering column lock UNLOCK status	ON	
S/L-UNLOCK*	Electronic steering column lock UNLOCK status	OFF	G
	Electronic steering column lock LOCK status	ON	
S/L RELAY-F/B*	Ignition switch OFF or ACC	OFF	H
	Ignition switch ON	ON	
UNLK SEN-DR	Driver door UNLOCK status	OFF	I
	Driver door LOCK status	ON	
PUSH SW-IPDM	When engine switch (push switch) is not pressed	OFF	J
	When engine switch (push switch) is pressed	ON	
IGN RLY1 F/B	Ignition switch OFF or ACC	OFF	K
	Ignition switch ON	ON	
DETE SW -IPDM	When selector lever is in P position	OFF	L
	When selector lever is in any position other than P	ON	
SFT PN -IPDM	When selector lever is in any position other than P or N	OFF	M
	When selector lever is in P or N position	ON	
SFT P-MET	When selector lever is in any position other than P	OFF	N
	When selector lever is in P position	ON	
SFT N-MET	When selector lever is in any position other than N	OFF	O
	When selector lever is in N position	ON	
ENGINE STATE	Engine stopped	STOP	P
	While the engine stalls	STALL	
	At engine cranking	CRANK	
	Engine running	RUN	
S/L LOCK-IPDM*	Electronic steering column lock LOCK status	OFF	
	Electronic steering column lock UNLOCK status	ON	
S/L UNLK-IPDM*	Electronic steering column lock UNLOCK status	OFF	
	Electronic steering column lock LOCK status	ON	
S/L RELAY-REQ*	Ignition switch OFF or ACC	OFF	
	Ignition switch ON	ON	
VEH SPEED 1	While driving	Equivalent to speedometer reading	
VEH SPEED 2	While driving	Equivalent to speedometer reading	

BCM (BODY CONTROL MODULE)

< ECU DIAGNOSIS >

Monitor Item	Condition	Value/Status
DOOR STAT-DR	Driver door LOCK status	LOCK
	Wait with selective UNLOCK operation (5 seconds)	READY
	Driver door UNLOCK status	UNLK
DOOR STAT-AS	Passenger door LOCK status	LOCK
	Wait with selective UNLOCK operation (5 seconds)	READY
	Passenger door UNLOCK status	UNLK
ID OK FLAG	Ignition switch ACC or ON	RESET
	Ignition switch OFF	SET
PRMT ENG STRT	When the engine start is prohibited	RESET
	When the engine start is permitted	SET
KEY SW -SLOT	When Intelligent Key is not inserted into key slot	OFF
	When Intelligent Key is inserted into key slot	ON
RKE OPE COUN1	During the operation of Intelligent Key	Operation frequency of Intelligent Key
CONFIRM ID ALL	The key ID that the key slot receives does not accord with any key ID registered to BCM.	YET
	The key ID that the key slot receives accords with any key ID registered to BCM.	DONE
CONFIRM ID4	The key ID that the key slot receives does not accord with the fourth key ID registered to BCM.	YET
	The key ID that the key slot receives accords with the fourth key ID registered to BCM.	DONE
CONFIRM ID3	The key ID that the key slot receives does not accord with the third key ID registered to BCM.	YET
	The key ID that the key slot receives accords with the third key ID registered to BCM.	DONE
CONFIRM ID2	The key ID that the key slot receives does not accord with the second key ID registered to BCM.	YET
	The key ID that the key slot receives accords with the second key ID registered to BCM.	DONE
CONFIRM ID1	The key ID that the key slot receives does not accord with the first key ID registered to BCM.	YET
	The key ID that the key slot receives accords with the first key ID registered to BCM.	DONE
TP 4	The ID of fourth key is not registered to BCM	YET
	The ID of fourth key is registered to BCM	DONE
TP 3	The ID of third key is not registered to BCM	YET
	The ID of third key is registered to BCM	DONE
TP 2	The ID of second key is not registered to BCM	YET
	The ID of second key is registered to BCM	DONE
TP 1	The ID of first key is not registered to BCM	YET
	The ID of first key is registered to BCM	DONE
AIR PRESS FL	Ignition switch ON (only when the signal from the transmitter is received)	Air pressure of front LH tire
AIR PRESS FR	Ignition switch ON (only when the signal from the transmitter is received)	Air pressure of front RH tire
AIR PRESS RR	Ignition switch ON (only when the signal from the transmitter is received)	Air pressure of rear RH tire
AIR PRESS RL	Ignition switch ON (only when the signal from the transmitter is received)	Air pressure of rear LH tire

BCM (BODY CONTROL MODULE)

< ECU DIAGNOSIS >

Monitor Item	Condition	Value/Status	
ID REGST FL1	When ID of front LH tire transmitter is registered	DONE	A
	When ID of front LH tire transmitter is not registered	YET	
ID REGST FR1	When ID of front RH tire transmitter is registered	DONE	B
	When ID of front RH tire transmitter is not registered	YET	
ID REGST RR1	When ID of rear RH tire transmitter is registered	DONE	C
	When ID of rear RH tire transmitter is not registered	YET	
ID REGST RL1	When ID of rear LH tire transmitter is registered	DONE	D
	When ID of rear LH tire transmitter is not registered	YET	
WARNING LAMP	Tire pressure indicator OFF	OFF	E
	Tire pressure indicator ON	ON	
BUZZER	Tire pressure warning alarm is not sounding	OFF	F
	Tire pressure warning alarm is sounding	ON	

* : With electronic steering column lock

DLK

L

M

N

O

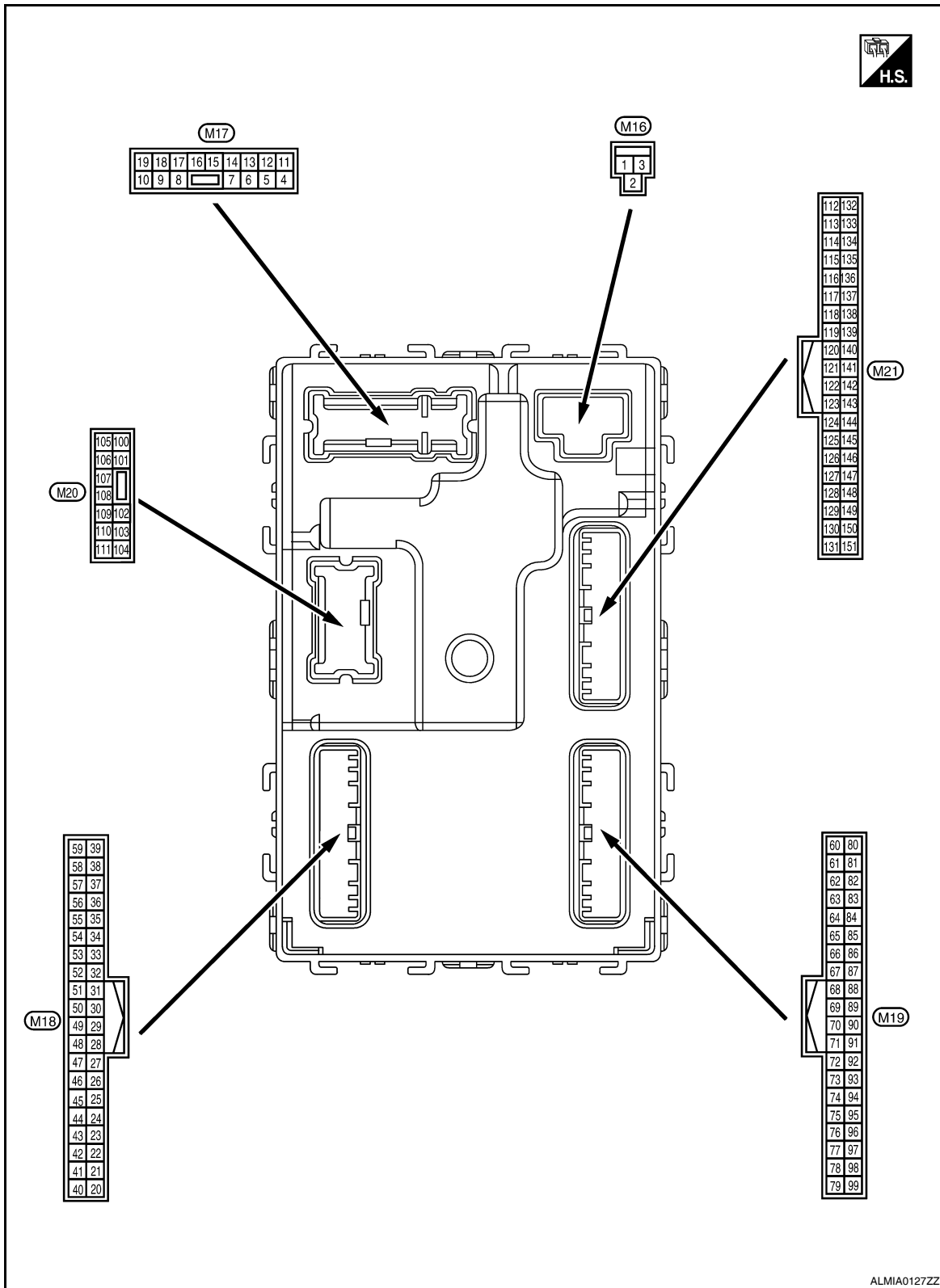
P

BCM (BODY CONTROL MODULE)

< ECU DIAGNOSIS >

Terminal Layout

INFOID:000000005532025

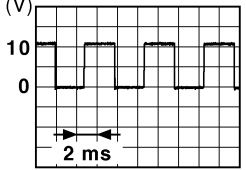


Physical Values

INFOID:000000005532026

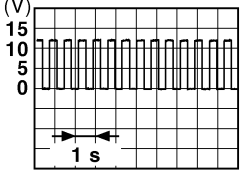
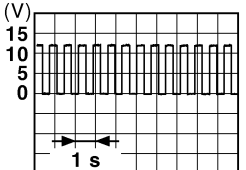
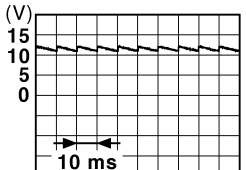
BCM (BODY CONTROL MODULE)

< ECU DIAGNOSIS >

Terminal No. (Wire color)		Description		Condition		Value (Approx.)
		Signal name	Input/ Output			
(+)	(-)					
1 (W/B)	Ground	Battery power supply	Input	Ignition switch OFF		Battery voltage
2 (R/Y)	Ground	Battery power supply output	Output	Ignition switch OFF		Battery voltage
3 (L/W)	Ground	Ignition power supply output	Output	Ignition switch ON		Battery voltage
4 (P/W)	Ground	Interior room lamp power supply	Output	After passing the interior room lamp battery saver operation time		0V
				Any other time after passing the interior room lamp battery saver operation time		Battery voltage
5 (G)	Ground	Front door RH UNLOCK	Output	Front door RH	UNLOCK (actuator is activated)	Battery voltage
					Other than UNLOCK (actuator is not activated)	0V
7 (R/W)	Ground	Step lamp	Output	Step lamp	ON	0V
					OFF	Battery voltage
8 (V)	Ground	All doors LOCK	Output	All doors	LOCK (actuator is activated)	Battery voltage
					Other than LOCK (actuator is not activated)	0V
9 (L)	Ground	Front door LH UNLOCK	Output	Front door LH	UNLOCK (actuator is activated)	Battery voltage
					Other than UNLOCK (actuator is not activated)	0V
10 (G)	Ground	Rear door RH and rear door LH UNLOCK	Output	Rear door RH and rear door LH	UNLOCK (actuator is activated)	Battery voltage
					Other than UNLOCK (actuator is not activated)	0V
11 (Y/R)	Ground	Battery power supply	Input	Ignition switch OFF		Battery voltage
13 (B)	Ground	Ground	—	Ignition switch ON		0V
14 (GR/W)	Ground	Engine switch (push switch) illumination ground	Input	Tail lamp	OFF	0V
					ON	<p>NOTE: When the illumination brightening/dimming level is in the neutral position</p>  <p style="text-align: right; font-size: small;">JSNIA0010GB</p>
15 (Y/L)	Ground	ACC indicator lamp	Output	Ignition switch	OFF	Battery voltage
					ACC or ON	0V

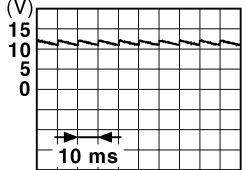
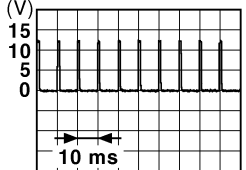
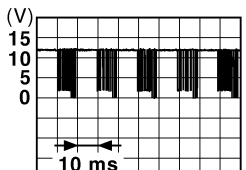
BCM (BODY CONTROL MODULE)

< ECU DIAGNOSIS >

Terminal No. (Wire color)		Description		Condition	Value (Approx.)
(+)	(-)	Signal name	Input/ Output		
17 (G/B)	Ground	Turn signal (RH)	Output	Ignition switch ON	Turn signal switch OFF 0V
				Turn signal switch RH	 6.5 V
18 (G/Y)	Ground	Turn signal (LH)	Output	Ignition switch ON	Turn signal switch OFF 0V
				Turn signal switch LH	 6.5 V
19 (Y)	Ground	Room lamp timer control	Output	Interior room lamp	OFF Battery voltage
				ON	0V
21 (P/B)	Ground	Optical sensor signal	Input	Ignition switch ON	When outside of the vehicle is bright Close to 5V
				When outside of the vehicle is dark Close to 0V	
24 (R/W)	Ground	Stop lamp switch 1	Input	—	Battery voltage
26 (O/L)	Ground	Stop lamp switch 2	Input	Stop lamp switch	OFF (brake pedal is released) 0V
				ON (brake pedal is depressed) Battery voltage	
27 (O)	Ground	Front door lock assembly LH (unlock sensor)	Input	Front door LH	LOCK status  11.8V
				UNLOCK status 0V	
29 (Y)	Ground	Key slot switch	Input	When Intelligent Key is inserted into key slot Battery voltage	
				When Intelligent Key is not inserted into key slot 0V	
30 (V/Y)	Ground	ACC feedback signal	Input	Ignition switch	OFF 0
				ACC or ON Battery voltage	
31 (G)	Ground	Rear window defogger feedback signal	Input	Rear window defogger switch	OFF 0V
				ON Battery voltage	

BCM (BODY CONTROL MODULE)

< ECU DIAGNOSIS >

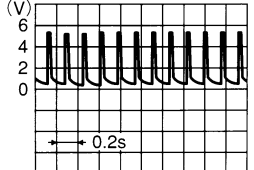

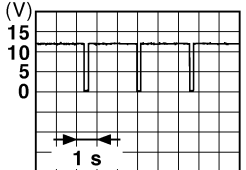
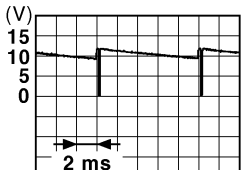
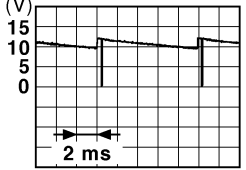
Terminal No. (Wire color)		Description		Condition	Value (Approx.)	
(+)	(-)	Signal name	Input/ Output			
32 (R/B)	Ground	Front door RH switch	Input	Front door RH switch	 11.8 V	
				OFF (when front door RH closes)	ON (when front door RH opens)	0V
37 (O)	Ground	Trunk lid opener cancel switch	Input	Trunk lid opener cancel switch	 1.1V	
				CANCEL	ON	0V
38 (GR/W)	Ground	Rear window defogger ON signal	Input	Rear window defogger switch	OFF	5V
				ON	0V	
40 (Y/G)	Ground	Power window serial link	Input/ Output	Ignition switch ON	 10.2V	
				Ignition switch OFF or ACC	0V	
41 (W)	Ground	Engine switch (push switch) illumination	Output	Engine switch (push switch) illumination	ON	5.5V
				OFF	0V	
42 (R)	Ground	LOCK indicator lamp	Output	LOCK indicator lamp	ON	0V
				OFF	Battery voltage	
45 (P)	Ground	Receiver & sensor ground	Input	Ignition switch ON	0V	
46 (V/W)	Ground	Receiver & sensor power supply output	Output	Ignition switch	OFF	0V
				ACC or ON	5.0V	

A
B
C
D
E
F
G
H
I
J
L
M
N
O
P

DLK

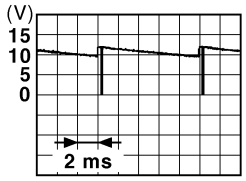
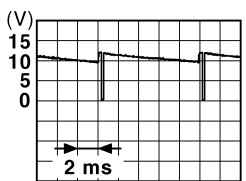
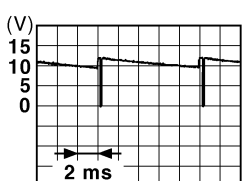
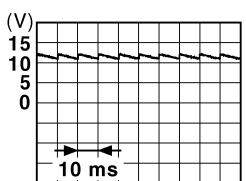
BCM (BODY CONTROL MODULE)

< ECU DIAGNOSIS >

Terminal No. (Wire color)		Description		Condition	Value (Approx.)
(+)	(-)	Signal name	Input/ Output		
47 ¹ (G/O)	Ground	Tire pressure receiver signal	Input/ Output	Ignition switch ON	Standby state  OCC3881D
				When receiving the signal from the transmitter  OCC3880D	
48 (R/G)	Ground	Selector lever transmission range switch signal	Input	Selector lever	P or N position: 12.0V Except P and N positions: 0V
					ON: 0V
49 (L/O)	Ground	Security indicator signal	Output	Security indicator	Blinking  JPMIA0014GB 11.3V
					OFF: Battery voltage
50 (LG/B)	Ground	Combination switch OUTPUT 5	Output	Combination switch (Wiper intermittent dial 4)	All switch OFF: 0V Lighting switch 1ST Lighting switch high-beam Lighting switch 2ND Turn signal switch RH  JPMIA0031GB 10.7V
51 (L/W)	Ground	Combination switch OUTPUT 1	Output	Combination switch	All switch OFF (Wiper intermittent dial 4): 0V Front wiper switch HI (Wiper intermittent dial 4) Any of the conditions below with all switch OFF: • Wiper intermittent dial 1 • Wiper intermittent dial 2 • Wiper intermittent dial 3 • Wiper intermittent dial 6 • Wiper intermittent dial 7  JPMIA0032GB 10.7V

BCM (BODY CONTROL MODULE)

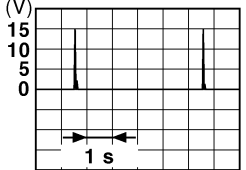
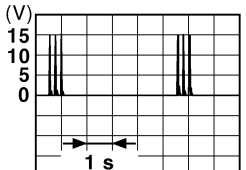
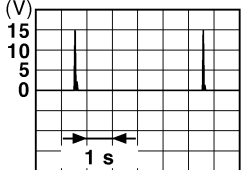
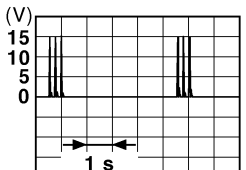
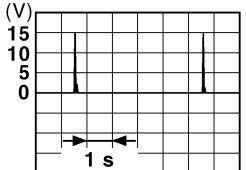
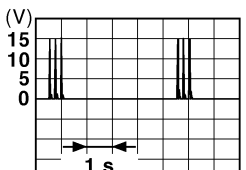
< ECU DIAGNOSIS >

Terminal No. (Wire color)		Description		Condition	Value (Approx.)		
		Signal name	Input/ Output				
(+)	(-)						
52 (G/B)	Ground	Combination switch OUTPUT 2	Output	Combination switch	All switch OFF (Wiper intermittent dial 4)	0V	
					Front washer switch ON (Wiper intermittent dial 4)	 <p style="text-align: right; font-size: small;">JPMIA0033GB</p>	
					Any of the conditions below with all switch OFF		10.7V
53 (LG/ R)	Ground	Combination switch OUTPUT 3	Output	Combination switch (Wiper intermit- tent dial 4)	All switch OFF	0V	
					Front wiper switch INT	 <p style="text-align: right; font-size: small;">JPMIA0034GB</p>	
					Front wiper switch LO		10.7V
					Lighting switch AUTO		
54 (G/Y)	Ground	Combination switch OUTPUT 4	Output	Combination switch (Wiper intermit- tent dial 4)	All switch OFF	0V	
					Front fog lamp switch ON	 <p style="text-align: right; font-size: small;">JPMIA0035GB</p>	
					Lighting switch 2ND		10.7V
					Lighting switch flash-to- pass		
					Turn signal switch LH		
57 ¹ (W)	Ground	Tire pressure warn- ing check switch	Input	—	5V		
58 (SB)	Ground	Front door LH switch	Input	Front door LH switch	OFF (front door LH CLOSE)	 <p style="text-align: right; font-size: small;">JPMIA0011GB</p>	
					ON (front door LH OPEN)	0V	
59 (G/R)	Ground	Rear window defog- ger relay	Output	Rear window de- fogger	Active	Battery voltage	
					Not activated	0V	

A
B
C
D
E
F
G
H
I
J
DLK
L
M
N
O
P

BCM (BODY CONTROL MODULE)

< ECU DIAGNOSIS >

Terminal No. (Wire color)		Description		Condition	Value (Approx.)
(+)	(-)	Signal name	Input/ Output		
60 (B/R)	Ground	Front console antenna 2 (-)	Output	Ignition switch OFF	 <p style="text-align: right; font-size: small;">JMKIA0062GB</p>
				When Intelligent Key is not in the passenger compartment	 <p style="text-align: right; font-size: small;">JMKIA0063GB</p>
61 (W/R)	Ground	Center console antenna 2 (+)	Output	Ignition switch OFF	 <p style="text-align: right; font-size: small;">JMKIA0062GB</p>
				When Intelligent Key is not in the passenger compartment	 <p style="text-align: right; font-size: small;">JMKIA0063GB</p>
62 (V)	Ground	Front outside handle RH antenna (-)	Output	When the front door RH request switch is operated with ignition switch OFF	 <p style="text-align: right; font-size: small;">JMKIA0062GB</p>
				When Intelligent Key is not in the antenna detection area	 <p style="text-align: right; font-size: small;">JMKIA0063GB</p>

BCM (BODY CONTROL MODULE)

< ECU DIAGNOSIS >

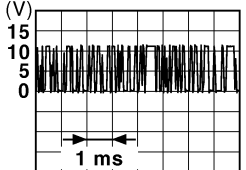
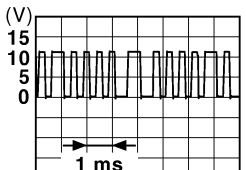



Terminal No. (Wire color)		Description		Condition	Value (Approx.)
(+)	(-)	Signal name	Input/ Output		
63 (P)	Ground	Front outside handle RH antenna (+)	Output	When the front door RH request switch is operated with ignition switch OFF	<p style="text-align: right; font-size: small;">JMKIA0062GB</p>
				When Intelligent Key is not in the antenna detection area	<p style="text-align: right; font-size: small;">JMKIA0063GB</p>
64 (V)	Ground	Front outside handle LH antenna (-)	Output	When the front door LH request switch is operated with ignition switch OFF	<p style="text-align: right; font-size: small;">JMKIA0062GB</p>
				When Intelligent Key is not in the antenna detection area	<p style="text-align: right; font-size: small;">JMKIA0063GB</p>
65 (P)	Ground	Front outside handle LH antenna (+)	Output	When the front door LH request switch is operated with ignition switch OFF	<p style="text-align: right; font-size: small;">JMKIA0062GB</p>
				When Intelligent Key is not in the antenna detection area	<p style="text-align: right; font-size: small;">JMKIA0063GB</p>

A
B
C
D
E
F
G
H
I
J
L
M
N
O
P

DLK

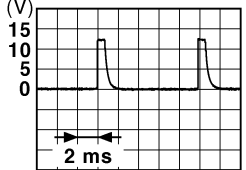
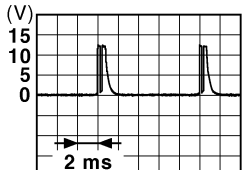

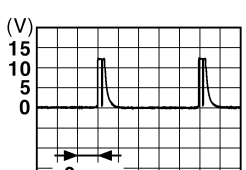
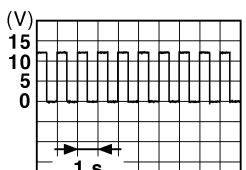
BCM (BODY CONTROL MODULE)

< ECU DIAGNOSIS >

Terminal No. (Wire color)		Description		Condition		Value (Approx.)
		Signal name	Input/ Output			
(+)	(-)					
68 (G/O)	Ground	NATS antenna amp (built in key slot)	Input/ Output	During waiting	Ignition switch is pressed while inserting the Intelli- gent Key into the key slot.	Just after pressing ignition switch. Pointer of tester should move.
69 (O)	Ground	NATS antenna amp (built in key slot)	Input/ Output	During waiting	Ignition switch is pressed while inserting the Intelli- gent Key into the key slot.	Just after pressing ignition switch. Pointer of tester should move.
70 (R/B)	Ground	Ignition relay-2 con- trol	Output	Ignition switch	OFF or ACC	0V
					ON	Battery voltage
71 (L/O)	Ground	Remote keyless entry receiver signal	Input/ Output	During waiting		 <p style="text-align: right; font-size: small;">JMKIA0064GB</p>
				When operating either button on Intelligent Key		 <p style="text-align: right; font-size: small;">JMKIA0065GB</p>
75 (R/Y)	Ground	Combination switch INPUT 5	Input	Combination switch	All switch OFF (Wiper intermittent dial 4)	 <p style="text-align: right; font-size: small;">JPMIA0041GB</p> <p style="text-align: center;">1.4V</p>
					Front fog lamp switch ON (Wiper intermittent dial 4)	 <p style="text-align: right; font-size: small;">JPMIA0037GB</p> <p style="text-align: center;">1.3V</p>
					Any of the conditions below with all switch OFF • Wiper intermittent dial 1 • Wiper intermittent dial 2 • Wiper intermittent dial 6 • Wiper intermittent dial 7	 <p style="text-align: right; font-size: small;">JPMIA0040GB</p> <p style="text-align: center;">1.3V</p>

BCM (BODY CONTROL MODULE)

< ECU DIAGNOSIS >

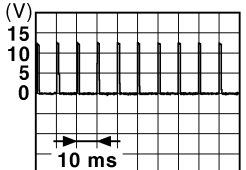
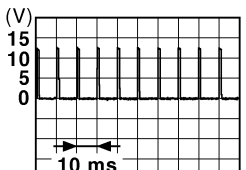
Terminal No. (Wire color)		Description		Condition	Value (Approx.)	
		Signal name	Input/ Output			
(+)	(-)					
76 (R/G)	Ground	Combination switch INPUT 3	Input	Combination switch	All switch OFF (Wiper intermittent dial 4)	 <small>JPMIA0041GB</small> 1.4V
					Lighting switch high-beam (Wiper intermittent dial 4)	 <small>JPMIA0036GB</small> 1.3V
					Lighting switch 2ND (Wiper intermittent dial 4)	 <small>JPMIA0037GB</small> 1.3V
					Any of the conditions below with all switch OFF • Wiper intermittent dial 1 • Wiper intermittent dial 2 • Wiper intermittent dial 3	 <small>JPMIA0040GB</small> 1.3V
77 ² (BR)	Ground	Engine switch (push switch)	Input	Engine switch (push switch)	Pressed	0V
					Not pressed	Battery voltage
78 (P)	Ground	CAN-L	Input/ Output	—	—	
79 (L)	Ground	CAN-H	Input/ Output	—	—	
80 (R/L)	Ground	Key slot illumination	Output	Key slot illumina- tion	OFF	0V
					Blinking	 <small>JPMIA0015GB</small> 6.5V
					ON	Battery voltage

A
B
C
D
E
F
G
H
I
J
L
M
N
O
P

DLK

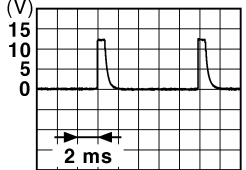
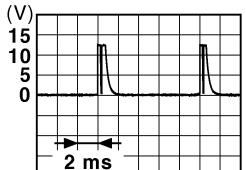

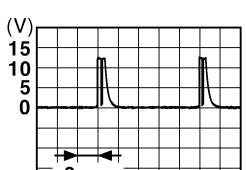

BCM (BODY CONTROL MODULE)

< ECU DIAGNOSIS >

Terminal No. (Wire color)		Description		Condition		Value (Approx.)
(+)	(-)	Signal name	Input/ Output			
81 (LG)	Ground	ON indicator lamp	Output	Ignition switch	OFF or ACC	0V
					ON	Battery voltage
83 (L)	Ground	ACC relay control	Output	Ignition switch	OFF	0V
					ACC or ON	Battery voltage
84 (Y/R)	Ground	CVT shift selector	Output	—		Battery voltage
85 ³ (L/O)	Ground	Electronic steering column lock condition No. 1	Input	Electronic steer- ing column lock	Lock status	0V
					Unlock status	Battery voltage
86 ³ (G/R)	Ground	Electronic steering column lock condition No. 2	Input	Electronic steer- ing column lock	Lock status	Battery voltage
					Unlock status	0V
87 (G/B)	Ground	Selector lever P posi- tion switch	Input	Selector lever	P position	0V
					Any position other than P	Battery voltage
88 (R)	Ground	Front door RH re- quest switch	Input	Front door RH re- quest switch	ON (pressed)	0V
					OFF (not pressed)	 <p style="text-align: center;">1.0V</p>
89 (R)	Ground	Front door LH re- quest switch	Input	Front door LH re- quest switch	ON (pressed)	0V
					OFF (not pressed)	 <p style="text-align: center;">1.0V</p>
90 (Y)	Ground	Blower fan motor re- lay control	Output	Ignition switch	OFF or ACC	0V
					ON	Battery voltage
91 (L/R)	Ground	Remote keyless entry receiver power sup- ply	Output	Ignition switch OFF		Battery voltage
94 ³ (G/Y)	Ground	Steering wheel lock unit power supply	Output	Ignition switch	OFF or ACC	Battery voltage
					ON	0V

BCM (BODY CONTROL MODULE)

< ECU DIAGNOSIS >

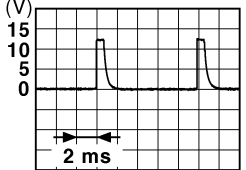
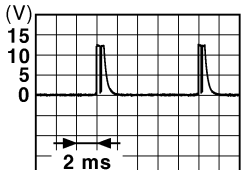
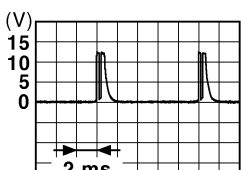
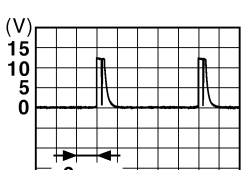
Terminal No. (Wire color)		Description		Condition	Value (Approx.)
(+)	(-)	Signal name	Input/ Output		
95 (R/W)	Ground	Combination switch INPUT 1	Input	Combination switch (Wiper intermittent dial 4)	All switch OFF  1.4V
					Turn signal switch LH  1.3V
					Turn signal switch RH  1.3V
					Front wiper switch LO  1.3V
					Front washer switch ON  1.3V

A
B
C
D
E
F
G
H
I
J
L
M
N
O
P

DLK

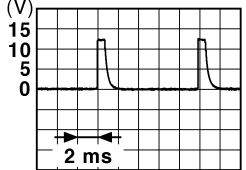
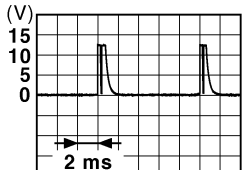

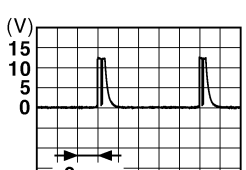

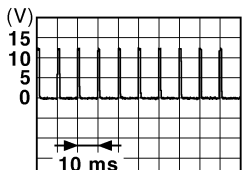
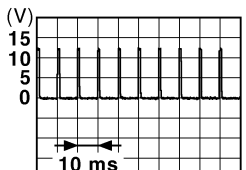
BCM (BODY CONTROL MODULE)

< ECU DIAGNOSIS >

Terminal No. (Wire color)		Description		Condition	Value (Approx.)
(+)	(-)	Signal name	Input/ Output		
96 (P/B)	Ground	Combination switch INPUT 4	Input	Combination switch	All switch OFF (Wiper intermittent dial 4)  <p style="text-align: right; font-size: small;">JPMIA0041GB</p>
					Lighting switch AUTO (Wiper intermittent dial 4)  <p style="text-align: right; font-size: small;">JPMIA0038GB</p>
					Lighting switch 1ST (Wiper intermittent dial 4)  <p style="text-align: right; font-size: small;">JPMIA0036GB</p>
					Any of the conditions below with all switch OFF <ul style="list-style-type: none"> • Wiper intermittent dial 1 • Wiper intermittent dial 5 • Wiper intermittent dial 6  <p style="text-align: right; font-size: small;">JPMIA0039GB</p>

BCM (BODY CONTROL MODULE)

< ECU DIAGNOSIS >

Terminal No. (Wire color)		Description		Condition	Value (Approx.)	
(+)	(-)	Signal name	Input/ Output			
97 (R/B)	Ground	Combination switch INPUT 2	Input	Combination switch (Wiper intermittent dial 4)	All switch OFF	 1.4V
					Lighting switch flash-to-pass	 1.3V
					Lighting switch 2ND	 1.3V
					Front wiper switch INT	 1.3V
					Front wiper switch HI	 1.3V
					Pressed	0 V
98 (G/O)	Ground	Hazard switch	Input	Hazard switch	 1.1V	
				Not pressed	 1.1V	

A
B
C
D
E
F
G
H
I
J
L
M
N
O
P

DLK

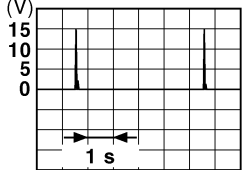
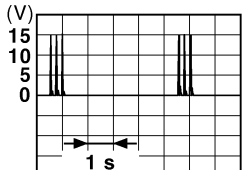
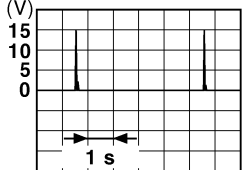
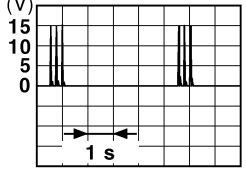
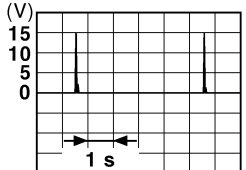
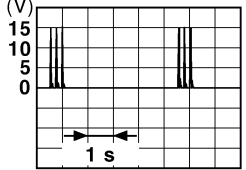
BCM (BODY CONTROL MODULE)

< ECU DIAGNOSIS >

Terminal No. (Wire color)		Description		Condition	Value (Approx.)	
(+)	(-)	Signal name	Input/ Output			
99 ³ (L/Y)	Ground	Electronic steering column lock unit com- munication	Input/ Output	Electronic steer- ing column lock	LOCK status	Battery voltage
					LOCK or UNLOCK	<p style="text-align: right; font-size: small;">JMKIA0066GB</p>
					For 15 seconds after UN- LOCK	Battery voltage
					15 seconds or later after UNLOCK	0V
103 (V)	Ground	Trunk lid opening.	Output	Trunk lid	Open (trunk lid opener ac- tuator is activated)	Battery voltage
					Close (trunk lid opener ac- tuator is not activated)	0V
110 (V/W)	Ground	Trunk room lamp	Output	Trunk room lamp	ON	0V
					OFF	Battery voltage
114 (B)	Ground	Trunk room antenna 1 (-)	Output	Ignition switch OFF	When Intelligent Key is in the passenger compart- ment	<p style="text-align: right; font-size: small;">JMKIA0062GB</p>
					When Intelligent Key is not in the passenger compart- ment	<p style="text-align: right; font-size: small;">JMKIA0063GB</p>

BCM (BODY CONTROL MODULE)

< ECU DIAGNOSIS >

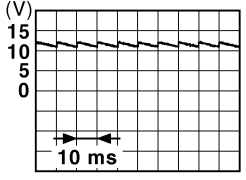
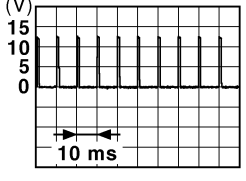
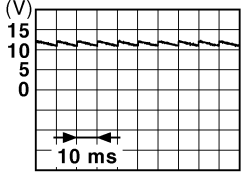
Terminal No. (Wire color)		Description		Condition	Value (Approx.)
(+)	(-)	Signal name	Input/ Output		
115 (W)	Ground	Trunk room antenna 1 (+)	Output	Ignition switch OFF	 <p style="text-align: right; font-size: small;">JMKIA0062GB</p>
				When Intelligent Key is not in the passenger compart- ment	 <p style="text-align: right; font-size: small;">JMKIA0063GB</p>
118 (L/O)	Ground	Rear bumper anten- na (-)	Output	When the trunk lid request switch is operated with ignition switch OFF	 <p style="text-align: right; font-size: small;">JMKIA0062GB</p>
				When Intelligent Key is not in the antenna detection area	 <p style="text-align: right; font-size: small;">JMKIA0063GB</p>
119 (BR/ W)	Ground	Rear bumper anten- na (+)	Output	When the trunk lid request switch is operated with ignition switch OFF	 <p style="text-align: right; font-size: small;">JMKIA0062GB</p>
				When Intelligent Key is not in the antenna detection area	 <p style="text-align: right; font-size: small;">JMKIA0063GB</p>

A
B
C
D
E
F
G
H
I
J
L
M
N
O
P

DLK

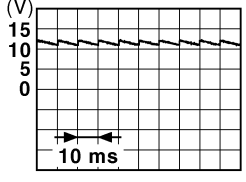
BCM (BODY CONTROL MODULE)

< ECU DIAGNOSIS >

Terminal No. (Wire color)		Description		Condition		Value (Approx.)
(+)	(-)	Signal name	Input/ Output			
127 (BR/ W)	Ground	Ignition relay (IPDM E/R) control	Output	Ignition switch	OFF or ACC	Battery voltage
					ON	0V
130 (W)	Ground	Trunk room lamp switch	Input	Trunk room lamp switch	OFF (trunk is closed)	 <p style="text-align: right; margin-right: 50px;">JPMIA0011GB</p> <p style="text-align: center;">11.8V</p>
					ON (trunk is open)	0V
132 (R)	Ground	Starter motor relay control	Output	Ignition switch ON	When selector lever is in P or N position and the brake is depressed	Battery voltage
					When selector lever is in P or N position and the brake is not depressed	0V
140 ⁴ (L/R)	Ground	Engine switch (push switch)	Input	Engine switch (push switch)	Pressed	0V
					Not pressed	Battery voltage
141 (BR)	Ground	Trunk request switch	Input	Trunk request switch	ON (pressed)	0V
					OFF (not pressed)	 <p style="text-align: right; margin-right: 50px;">JPMIA0016GB</p> <p style="text-align: center;">1.0V</p>
144 (GR)	Ground	Request switch buzz- er	Output	Request switch buzzer	Sounding	0V
					Not sounding	Battery voltage
147 (L/R)	Ground	Trunk lid opener switch	Input	Trunk lid opener switch	Pressed	0V
					Not pressed	Battery voltage
148 (R/W)	Ground	Rear door RH switch	Input	Rear door RH switch	OFF (when rear door RH closes)	 <p style="text-align: right; margin-right: 50px;">JPMIA0011GB</p> <p style="text-align: center;">11.8V</p>
					ON (when rear door RH opens)	0V

BCM (BODY CONTROL MODULE)

< ECU DIAGNOSIS >

Terminal No. (Wire color)		Description		Condition	Value (Approx.)	
		Signal name	Input/ Output			
(+)	(-)					
149 (R/B)	Ground	Rear door LH switch	Input	Rear door LH switch	OFF (when rear door LH closes)	
				ON (when rear door LH opens)	0V	

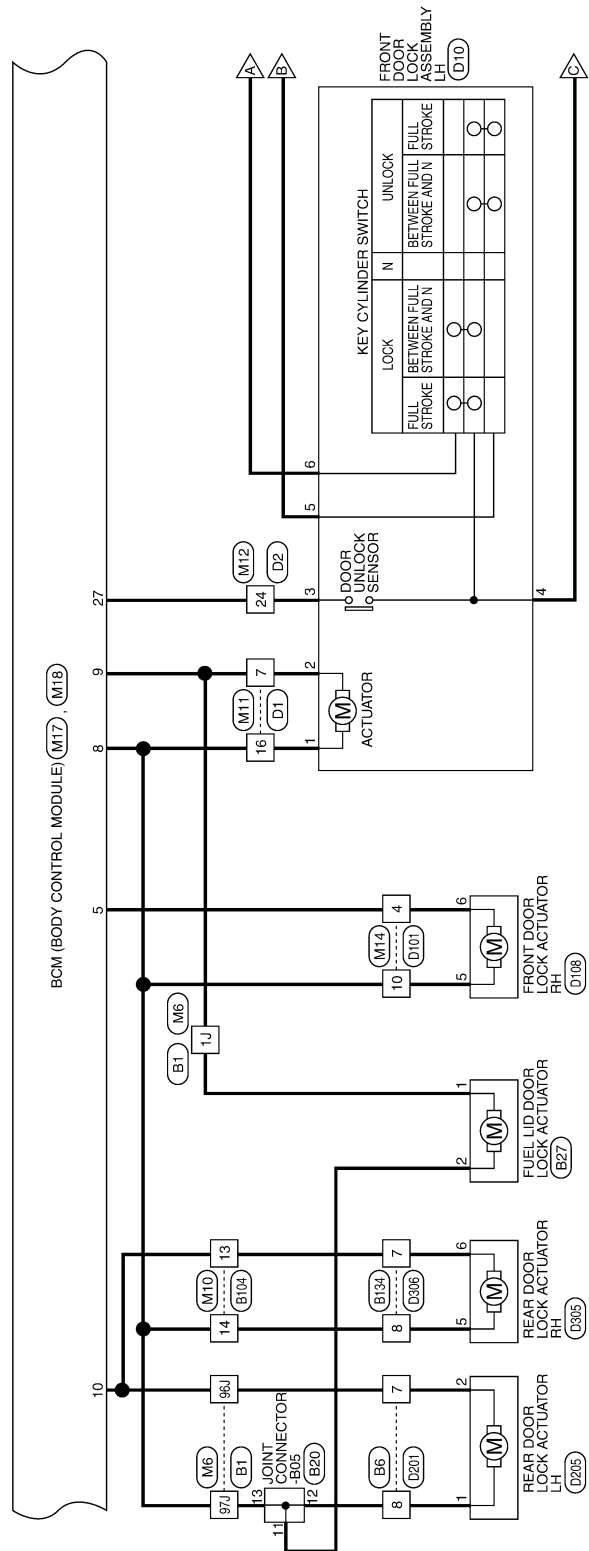
- 1 : With low tire pressure monitoring system
- 2 : With electronic steering column lock
- 3 : Early production
- 4 : Without electronic steering column lock

A
B
C
D
E
F
G
H
I
J
L
M
N
O
P

DLK

BCM (BODY CONTROL MODULE)

< ECU DIAGNOSIS >

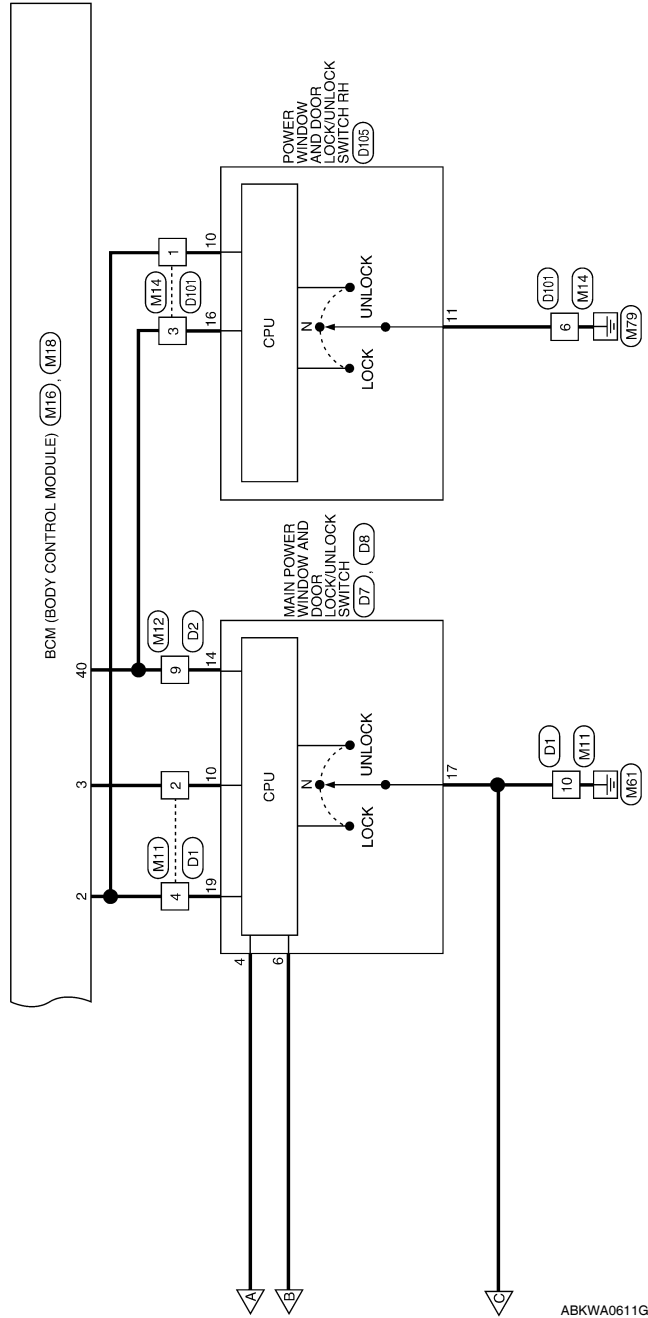


ABKWA0610GE

A
B
C
D
E
F
G
H
I
J
DLK
L
M
N
O
P

BCM (BODY CONTROL MODULE)

< ECU DIAGNOSIS >

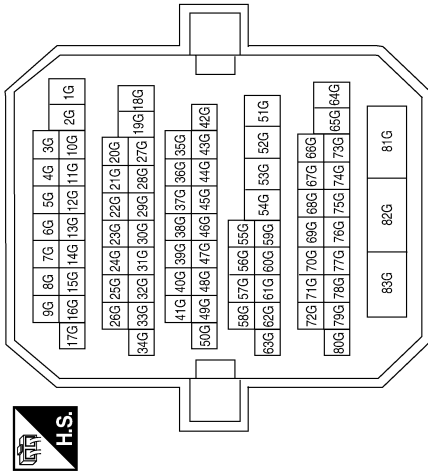


BCM (BODY CONTROL MODULE)

< ECU DIAGNOSIS >

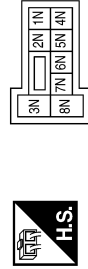
POWER DOOR LOCK SYSTEM CONNECTORS

Connector No.	M1
Connector Name	WIRE TO WIRE
Connector Color	WHITE



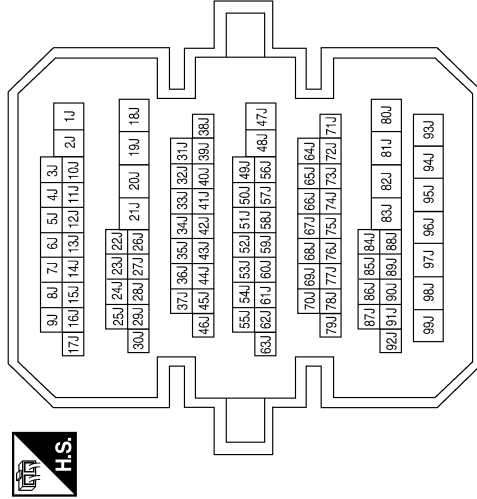
Terminal No.	Color of Wire	Signal Name
82G	W/B	-

Connector No.	M3
Connector Name	FUSE BLOCK (J/B)
Connector Color	WHITE



Terminal No.	Color of Wire	Signal Name
7N	Y/R	-

Connector No.	M6
Connector Name	WIRE TO WIRE
Connector Color	WHITE



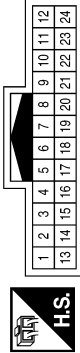
Terminal No.	Color of Wire	Signal Name
1J	L	-
10J	SB	-
26J	W	-
28J	R/B	-
96J	G	-
97J	V	-

A
B
C
D
E
F
G
H
I
J
DLK
L
M
N
O
P

BCM (BODY CONTROL MODULE)

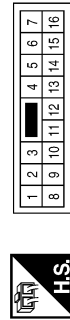
< ECU DIAGNOSIS >

Connector No.	M12
Connector Name	WIRE TO WIRE
Connector Color	WHITE



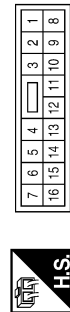
Terminal No.	Color of Wire	Signal Name
9	Y/G	-
24	O	-

Connector No.	M11
Connector Name	WIRE TO WIRE
Connector Color	WHITE



Terminal No.	Color of Wire	Signal Name
2	L/W	-
4	R/Y	-
7	L	-
10	B	-
16	V	-

Connector No.	M10
Connector Name	WIRE TO WIRE
Connector Color	WHITE



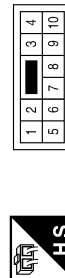
Terminal No.	Color of Wire	Signal Name
13	G	-
14	V	-
15	R/B	-
16	R/W	-

Connector No.	M16
Connector Name	BCM (BODY CONTROL MODULE)
Connector Color	BLACK



Terminal No.	Color of Wire	Signal Name
1	W/B	BATT (F/L)
2	R/Y	P/W POWER SUPPLY PERM
3	L/W	POWER WINDOW POWER SUPPLY IGN

Connector No.	M14
Connector Name	WIRE TO WIRE
Connector Color	WHITE



Terminal No.	Color of Wire	Signal Name
1	R/Y	-
3	Y/G	-
4	G	-
6	B	-
10	V	-

ABKIA1132GB

BCM (BODY CONTROL MODULE)

< ECU DIAGNOSIS >

Connector No.	M17
Connector Name	BCM (BODY CONTROL MODULE)
Connector Color	WHITE



4	5	6	7	8	9	10		
11	12	13	14	15	16	17	18	19

Terminal No.	Color of Wire	Signal Name
5	G	DOOR UNLOCK OUTPUT AS
8	V	DOOR LOCK OUTPUT ALL
9	L	DOOR UNLOCK OUTPUT (DR/FL)
10	G	DOOR UNLOCK OUTPUT (RR/RL)
11	Y/R	BAT BCM FUSE
13	B	GND1

Connector No.	M18
Connector Name	BCM (BODY CONTROL MODULE)
Connector Color	GREEN



39	38	37	36	35	34	33	32	31	30	29	28	27	26	25	24	23	22	21	20
59	58	57	56	55	54	53	52	51	50	49	48	47	46	45	44	43	42	41	40

Terminal No.	Color of Wire	Signal Name
27	O	DOOR LOCK STATUS DR
32	R/B	AS DOOR SW
40	Y/G	PW K-LINE
58	SB	DR DOOR SW

Connector No.	M19
Connector Name	BCM (BODY CONTROL MODULE)
Connector Color	BLACK



79	78	77	76	75	74	73	72	71	70	69	68	67	66	65	64	63	62	61	60
59	58	57	56	55	54	53	52	51	50	49	48	47	46	45	44	43	42	41	40

Terminal No.	Color of Wire	Signal Name
78	P	CAN-L
79	L	CAN-H

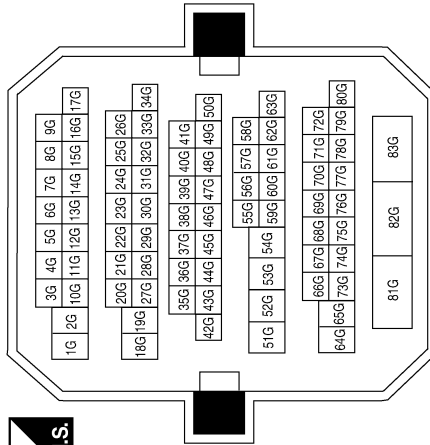
Connector No.	M21
Connector Name	BCM (BODY CONTROL MODULE)
Connector Color	GRAY



131	130	129	128	127	126	125	124	123	122	121	120	119	118	117	116	115	114	113	112
151	150	149	148	147	146	145	144	143	142	141	140	139	138	137	136	135	134	133	132

Terminal No.	Color of Wire	Signal Name
130	W	TRUNK SW
148	R/W	RR DOOR SW
149	R/B	RL DOOR SW

Connector No.	E30
Connector Name	WIRE TO WIRE
Connector Color	WHITE



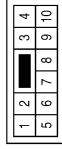
A
B
C
D
E
F
G
H
I
J
K
L
M
N
O
P

DLK

BCM (BODY CONTROL MODULE)

< ECU DIAGNOSIS >

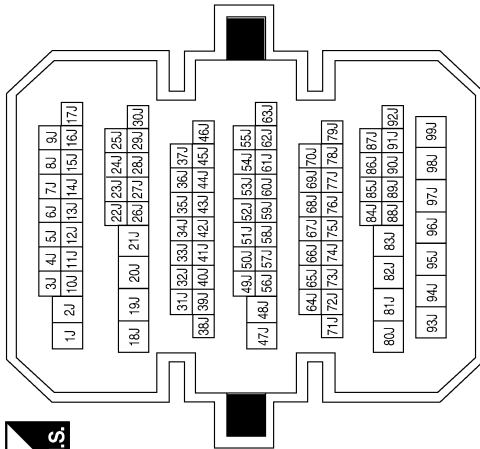
Connector No.	B6
Connector Name	WIRE TO WIRE
Connector Color	WHITE



Terminal No.	Color of Wire	Signal Name
7	G	-
8	GR	-

Terminal No.	Color of Wire	Signal Name
1J	L	-
10J	SB	-
26J	W	-
28J	BR	-
96J	G	-
97J	GR	-

Connector No.	B1
Connector Name	WIRE TO WIRE
Connector Color	WHITE

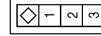


Connector No.	B20
Connector Name	JOINT CONNECTOR-B05
Connector Color	BLUE



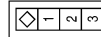
Terminal No.	Color of Wire	Signal Name
11	GR	-
12	GR	-
13	GR	-

Connector No.	B18
Connector Name	REAR DOOR SWITCH LH
Connector Color	WHITE



Terminal No.	Color of Wire	Signal Name
2	BR	-

Connector No.	B8
Connector Name	FRONT DOOR SWITCH LH
Connector Color	WHITE



Terminal No.	Color of Wire	Signal Name
2	SB	-

ABKIA1787GB

BCM (BODY CONTROL MODULE)

< ECU DIAGNOSIS >

Connector No.	B104
Connector Name	WIRE TO WIRE
Connector Color	WHITE



1	2	3	4	5	6	7
8	9	10	11	12	13	14
15	16					

Terminal No.	Color of Wire	Signal Name
13	G	-
14	V	-
15	GR	-
16	B	-

Connector No.	B27
Connector Name	FUEL LID DOOR LOCK ACTUATOR
Connector Color	WHITE



4	2
3	1

Terminal No.	Color of Wire	Signal Name
1	L	-
2	GR	-

Connector No.	B24
Connector Name	WIRE TO WIRE
Connector Color	WHITE



1	2	3
4	5	6
7	8	

Terminal No.	Color of Wire	Signal Name
5	W	-
8	B	-

Connector No.	B134
Connector Name	WIRE TO WIRE
Connector Color	WHITE



1	2	3	4
5	6	7	8
9	10		

Terminal No.	Color of Wire	Signal Name
7	G	-
8	V	-

Connector No.	B116
Connector Name	REAR DOOR SWITCH RH
Connector Color	WHITE



1	2	3
---	---	---

Terminal No.	Color of Wire	Signal Name
2	B	-

Connector No.	B108
Connector Name	FRONT DOOR SWITCH RH
Connector Color	WHITE



1	2	3
---	---	---

Terminal No.	Color of Wire	Signal Name
2	GR	-

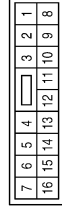
ABKIA1788GB

A
B
C
D
E
F
G
H
I
J
DLK
L
M
N
O
P

BCM (BODY CONTROL MODULE)

< ECU DIAGNOSIS >

Connector No.	D1
Connector Name	WIRE TO WIRE
Connector Color	WHITE



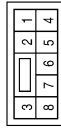
Terminal No.	Color of Wire	Signal Name
2	V	-
4	R	-
7	G	-
10	B	-
16	GR	-

Connector No.	T7
Connector Name	TRUNK LAMP SWITCH AND TRUNK RELEASE SOLENOID
Connector Color	WHITE



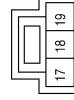
Terminal No.	Color of Wire	Signal Name
2	W	-
3	B	-

Connector No.	T2
Connector Name	WIRE TO WIRE
Connector Color	WHITE



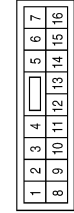
Terminal No.	Color of Wire	Signal Name
5	W	-
8	B	-

Connector No.	D8
Connector Name	MAIN POWER WINDOW AND DOOR LOCK/UNLOCK SWITCH
Connector Color	WHITE



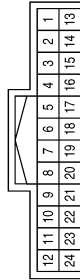
Terminal No.	Color of Wire	Signal Name
17	B	GND
19	R	BAT

Connector No.	D7
Connector Name	MAIN POWER WINDOW AND DOOR LOCK/UNLOCK SWITCH
Connector Color	WHITE



Terminal No.	Color of Wire	Signal Name
4	L	LOCK
6	R	UNLOCK
10	V	IGN
14	O	COM

Connector No.	D2
Connector Name	WIRE TO WIRE
Connector Color	WHITE



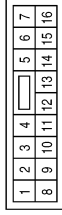
Terminal No.	Color of Wire	Signal Name
9	O	-
24	P	-

ABKIA1789GB

BCM (BODY CONTROL MODULE)

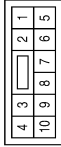
< ECU DIAGNOSIS >

Connector No.	D105
Connector Name	POWER WINDOW AND DOOR LOCK/UNLOCK SWITCH RH
Connector Color	WHITE



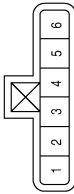
Terminal No.	Color of Wire	Signal Name
10	P	BAT
11	B	GND
16	R	COM

Connector No.	D101
Connector Name	WIRE TO WIRE
Connector Color	WHITE



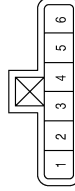
Terminal No.	Color of Wire	Signal Name
1	P	-
3	R	-
4	G	-
6	B	-
10	GR	-

Connector No.	D10
Connector Name	FRONT DOOR LOCK ASSEMBLY LH
Connector Color	GRAY



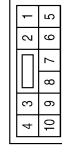
Terminal No.	Color of Wire	Signal Name
1	GR	LOCK
2	G	UNLOCK
3	P	-
4	B	-
5	R	-
6	L	-

Connector No.	D205
Connector Name	REAR DOOR LOCK ACTUATOR LH
Connector Color	GRAY



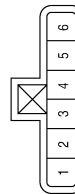
Terminal No.	Color of Wire	Signal Name
1	GR	LOCK
2	G	UNLOCK

Connector No.	D201
Connector Name	WIRE TO WIRE
Connector Color	WHITE



Terminal No.	Color of Wire	Signal Name
7	G	-
8	GR	-

Connector No.	D108
Connector Name	FRONT DOOR LOCK ACTUATOR RH
Connector Color	GRAY



Terminal No.	Color of Wire	Signal Name
5	GR	LOCK
6	G	UNLOCK

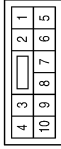
ABKIA1790GB

A
B
C
D
E
F
G
H
I
J
DLK
L
M
N
O
P

BCM (BODY CONTROL MODULE)

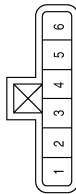
< ECU DIAGNOSIS >

Connector No.	D306
Connector Name	WIRE TO WIRE
Connector Color	WHITE



Terminal No.	Color of Wire	Signal Name
7	G	-
8	GR	-

Connector No.	D305
Connector Name	REAR DOOR LOCK ACTUATOR RH
Connector Color	GRAY

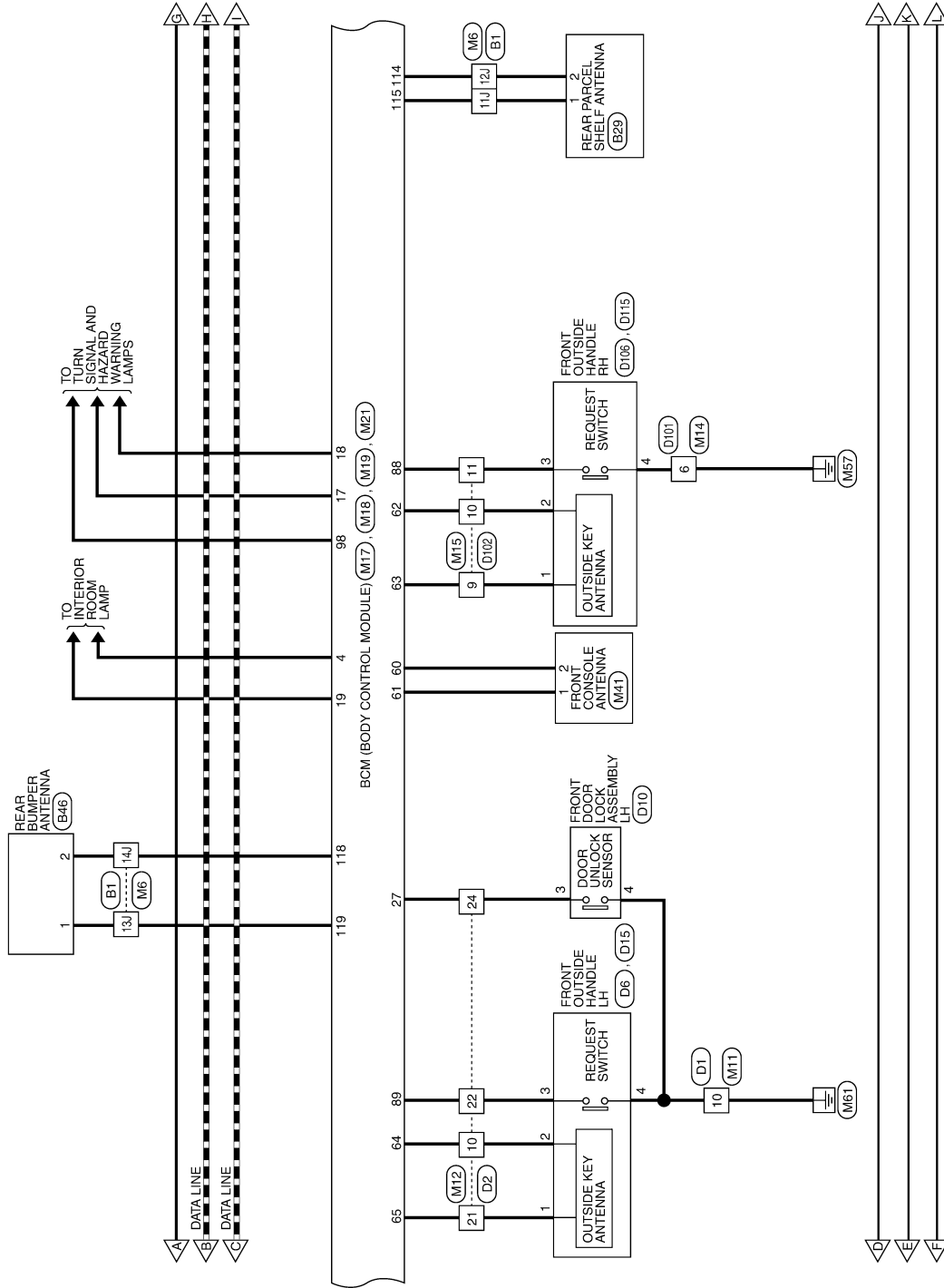


Terminal No.	Color of Wire	Signal Name
5	GR	LOCK
6	G	UNLOCK

ABKIA1791GB

BCM (BODY CONTROL MODULE)

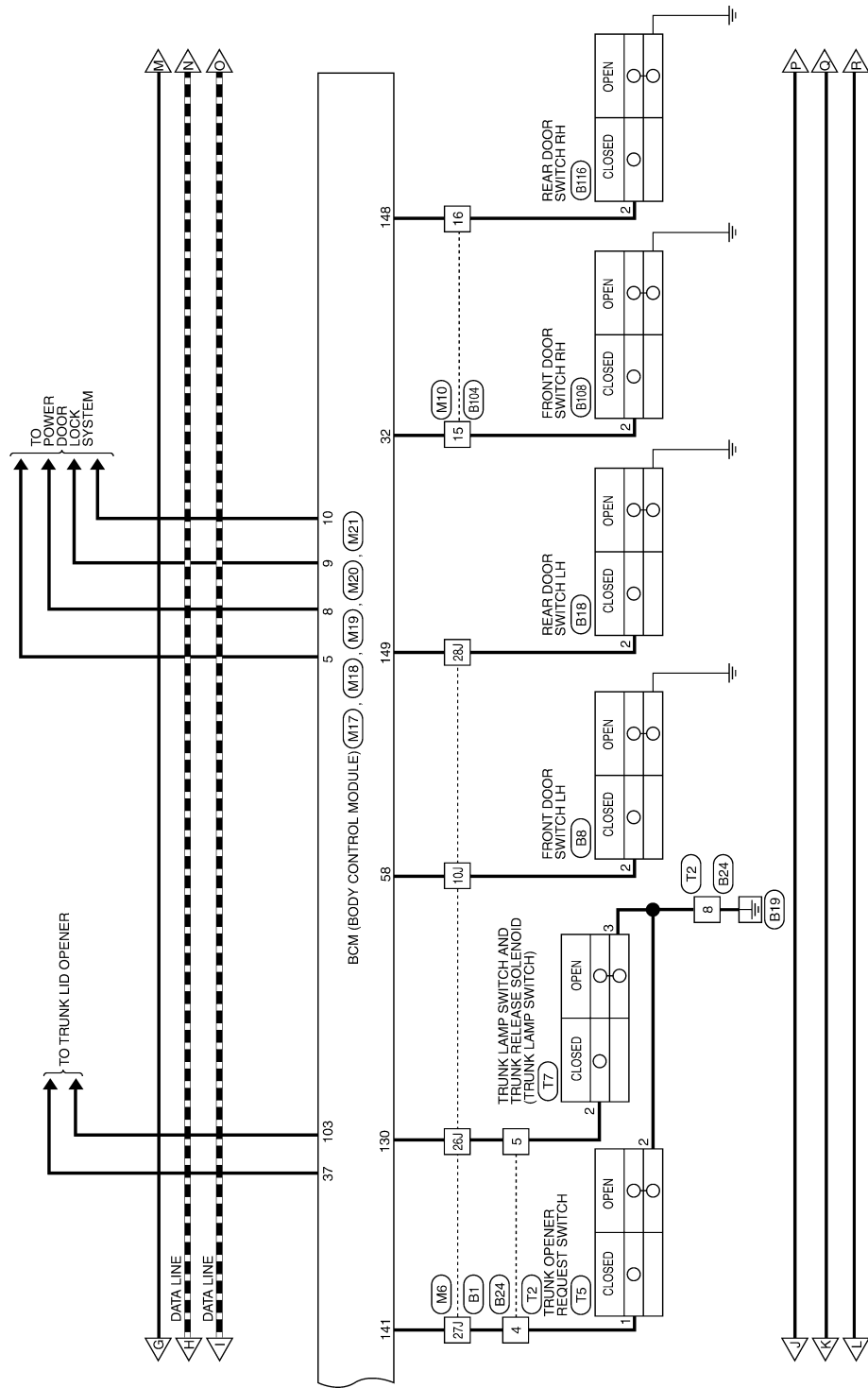
< ECU DIAGNOSIS >



ABKWA0613GE

BCM (BODY CONTROL MODULE)

< ECU DIAGNOSIS >



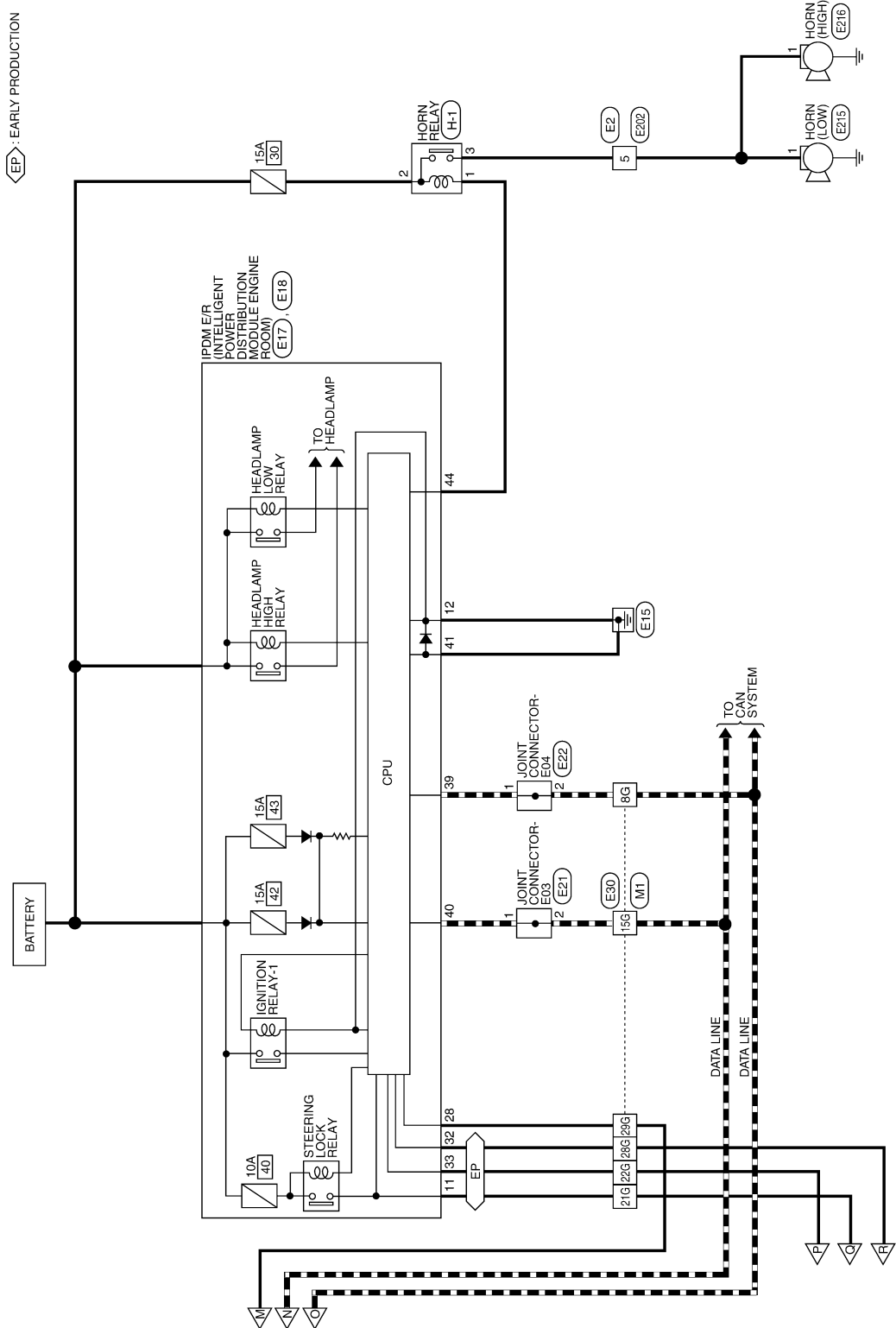
ABKWA0614GE

A
B
C
D
E
F
G
H
I
J
K
L
M
N
O
P

DLK

BCM (BODY CONTROL MODULE)

< ECU DIAGNOSIS >



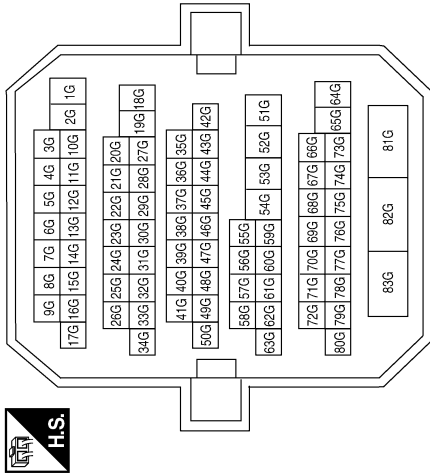
ABKWA0933Gf

BCM (BODY CONTROL MODULE)

< ECU DIAGNOSIS >

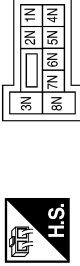
INTELLIGENT KEY SYSTEM CONNECTORS

Connector No.	M1
Connector Name	WIRE TO WIRE
Connector Color	WHITE



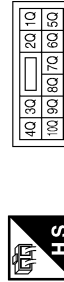
Terminal No.	Color of Wire	Signal Name
8G	P	-
15G	L	-
21G	P/L	- (EARLY PRODUCTION)
22G	G/R	- (EARLY PRODUCTION)
28G	L/O	- (EARLY PRODUCTION)
29G	BR	-
57G	GR	-
82G	W/B	-

Connector No.	M3
Connector Name	FUSE BLOCK (J/B)
Connector Color	WHITE



Terminal No.	Color of Wire	Signal Name
1N	W/L	-
4N	G/Y	-
7N	Y/R	-

Connector No.	M4
Connector Name	FUSE BLOCK (J/B)
Connector Color	WHITE



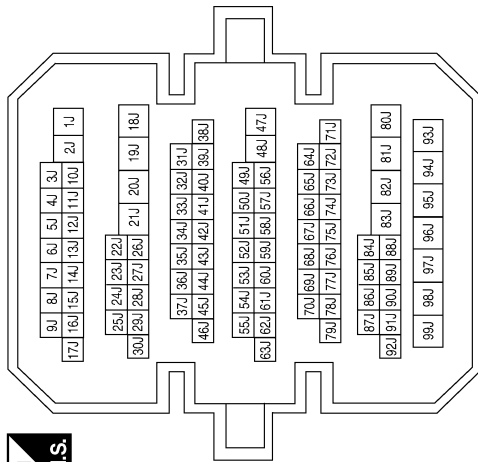
Terminal No.	Color of Wire	Signal Name
3Q	O/L	-
9Q	R/W	-

A
B
C
D
E
F
G
H
I
J
DLK
L
M
N
O
P

BCM (BODY CONTROL MODULE)

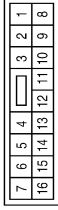
< ECU DIAGNOSIS >

Connector No.	M6
Connector Name	WIRE TO WIRE
Connector Color	WHITE



Terminal No.	Color of Wire	Signal Name
10J	SB	-
11J	W	-
12J	B	-
13J	BR/W	-
14J	L/O	-
26J	W	-
27J	BR	-
28J	R/B	-

Connector No.	M10
Connector Name	WIRE TO WIRE
Connector Color	WHITE



Terminal No.	Color of Wire	Signal Name
15	R/B	-
16	R/W	-

Connector No.	M11
Connector Name	WIRE TO WIRE
Connector Color	WHITE



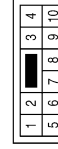
Terminal No.	10	Color of Wire	B	Signal Name	-
--------------	----	---------------	---	-------------	---

Connector No.	M12
Connector Name	WIRE TO WIRE
Connector Color	WHITE



Terminal No.	10	Color of Wire	V	Signal Name	-
21		P			-
22		R			-
24		O			-

Connector No.	M14
Connector Name	WIRE TO WIRE
Connector Color	WHITE

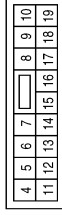


Terminal No.	6	Color of Wire	B	Signal Name	-
--------------	---	---------------	---	-------------	---

BCM (BODY CONTROL MODULE)

< ECU DIAGNOSIS >

Connector No.	M17
Connector Name	BCM (BODY CONTROL MODULE)
Connector Color	WHITE



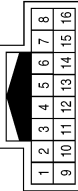
Terminal No.	Color of Wire	Signal Name
4	P/W	R/L POWER SUPPLY
5	G	DOOR UNLOCK OUTPUT AS
8	V	DOOR LOCK OUTPUT ALL
9	L	DOOR UNLOCK OUTPUT (DR/FL)
10	G	DOOR UNLOCK OUTPUT (RR/RL)
11	Y/R	BAT BCM FUSE
13	B	GND1
15	Y/L	ACC LED
17	G/B	FR FLASHER
18	G/Y	FL FLASHER
19	Y	ROOM LAMP OUTPUT

Connector No.	M16
Connector Name	BCM (BODY CONTROL MODULE)
Connector Color	BLACK



Terminal No.	Color of Wire	Signal Name
1	W/B	BATT (F/L)

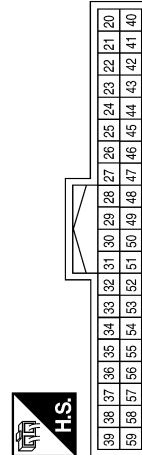
Connector No.	M15
Connector Name	WIRE TO WIRE
Connector Color	WHITE



Terminal No.	Color of Wire	Signal Name
9	P	-
10	V	-
11	R	-

Terminal No.	Color of Wire	Signal Name
24	R/W	BRAKE SW 1
26	O/L	BRAKE SW 2
27	O	DOOR LOCK STATUS DR
29	Y	FOB IN SW 1
32	R/B	AS DOOR SW 1
37	O	TRUNK CANCEL SW
42	R	S/L LOCK LED
45	P	GND RF2 A/L
58	SB	DR DOOR SW

Connector No.	M18
Connector Name	BCM (BODY CONTROL MODULE)
Connector Color	GREEN



ABKIA1794GB

A
B
C
D
E
F
G
H
I
J
K
L
M
N
O
P

DLK

BCM (BODY CONTROL MODULE)

< ECU DIAGNOSIS >

Connector No.	M20
Connector Name	BCM (BODY CONTROL MODULE)
Connector Color	WHITE

100	101	102	103	104
105	106	107	108	109
110	111			



Terminal No.	Color of Wire	Signal Name
103	V	CDL BACK TRUNK

Terminal No.	Color of Wire	Signal Name
68	G/O	OB READER CLOCK
69	O	FOB READER DATA
71	L/O	RF1 TUNER SIGNAL
77	BR	ENG START SW
78	P	CAN-L
79	L	CAN-H
80	R/L	FOB SLOT ILLUMINATION
81	LG	IGN ON LED
84	Y/R	AT DEVICE OUT
85	L/O	S/L CONDITION 1
86	G/R	S/L CONDITION 2
87	G/B	SHIFT P/ASCD CANCEL SW
88	R	AS REQUEST SWITCH
89	R	DR REQUEST SWITCH
91	L/R	RF POWER SUPPLY 12V
94	G/Y	S/L POWER SUPPLY 12V
98	G/O	HAZARD SW
99	L/Y	S/L K-LINE

Connector No.	M19
Connector Name	BCM (BODY CONTROL MODULE)
Connector Color	BLACK

79	78	77	76	75	74	73	72	71	70	69	68	67	66	65	64	63	62	61	60
99	98	97	96	95	94	93	92	91	90	89	88	87	86	85	84	83	82	81	80



Terminal No.	Color of Wire	Signal Name
60	B/R	ROOM ANT 2 B
61	W/R	ROOM ANT 2 A
62	V	AS DOOR ANT B
63	P	AS DOOR ANT A
64	V	DR DOOR ANT B
65	P	DR DOOR ANT A

Terminal No.	Color of Wire	Signal Name
114	B	TRUNK ANT 1 B
115	W	TRUNK ANT 1 A
118	L/O	BACK DOOR ANT B
119	BR/W	BACK DOOR ANT A
130	W	TRUNK SW
140	BR	ENG START SW W/O ESCL
141	BR	TRUNK REQUEST SW
144	GR	BUZZER
148	R/W	RR DOOR SW
149	R/B	RL DOOR SW

Connector No.	M21
Connector Name	BCM (BODY CONTROL MODULE)
Connector Color	GRAY

151	150	149	148	147	146	145	144	143	142	141	140	139	138	137	136	135	134	133	132	
153	152	151	150	149	148	147	146	145	144	143	142	141	140	139	138	137	136	135	134	133

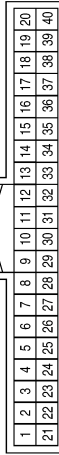


ABKIA2496GB

BCM (BODY CONTROL MODULE)

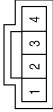
< ECU DIAGNOSIS >

Connector No.	M24
Connector Name	COMBINATION METER
Connector Color	WHITE



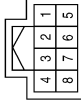
Terminal No.	Color of Wire	Signal Name
1	W/L	BAT
3	B	GND
21	L	CAN-H
22	P	CAN-L
23	B	GND (CIRCUIT)

Connector No.	M27
Connector Name	REMOTE KEYLESS ENTRY RECEIVER
Connector Color	BLACK



Terminal No.	Color of Wire	Signal Name
1	P	GND
2	L/O	RF1 TUNER SIGNAL
4	L/R	+12V

Connector No.	M32
Connector Name	ELECTRONIC STEERING COLUMN LOCK (EARLY PRODUCTION)
Connector Color	WHITE



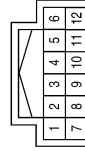
Terminal No.	Color of Wire	Signal Name
1	P/L	S/L 12V MECHANICAL (V1)
2	L/Y	S/L COM
3	L/O	S/L CONDITION 1
5	B	GND
6	B	GND
7	G/Y	S/L 12V CPU (V2)
8	G/R	S/L CONDITION 2

Connector No.	M38
Connector Name	PUSH-BUTTON IGNITION SWITCH
Connector Color	BROWN



Terminal No.	Color of Wire	Signal Name
1	B	-
4	BR	-
5	R	-
6	Y/L	-
7	LG	-
8	G/Y	-

Connector No.	M40
Connector Name	KEY SLOT
Connector Color	WHITE



Terminal No.	Color of Wire	Signal Name
1	G/Y	+B
2	G/O	CLOCK
3	O	DATA
5	G/Y	+LIGHT BAT
6	R/L	LIGHT A
7	B	GND
11	Y	CARD SW 1

Connector No.	M41
Connector Name	FRONT CONSOLE ANTENNA
Connector Color	GRAY



Terminal No.	Color of Wire	Signal Name
1	W/R	-
2	B/R	-

ABKIA2497GB

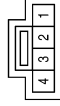
A
B
C
D
E
F
G
H
I
J
K
L
M
N
O
P

DLK

BCM (BODY CONTROL MODULE)

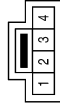
< ECU DIAGNOSIS >

Connector No.	M175
Connector Name	ESCL_JUMPER-2
Connector Color	WHITE



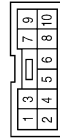
Terminal No.	Color of Wire	Signal Name
1	-	-
2	BR	-
3	BR	-
4	BR	-

Connector No.	M170
Connector Name	ESCL_JUMPER-1
Connector Color	WHITE



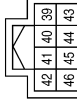
Terminal No.	Color of Wire	Signal Name
1	-	-
2	BR	-
3	BR	-
4	BR	-

Connector No.	M78
Connector Name	CVT_SHIFT_SELECTOR
Connector Color	WHITE



Terminal No.	Color of Wire	Signal Name
8	Y/R	DETENT KEY SW
9	G/B	DETENT KEY SW

Connector No.	E17
Connector Name	IPDM/E/R (INTELLIGENT POWER DISTRIBUTION MODULE ENGINE ROOM)
Connector Color	WHITE



Terminal No.	Color of Wire	Signal Name
39	P	CAN-L
40	L	CAN-H
41	B	GND (SIGNAL)
44	W	HORN RLY

Connector No.	E6
Connector Name	FUSE BLOCK (J/B)
Connector Color	WHITE



Terminal No.	Color of Wire	Signal Name
2P	LG	-
8P	R	-
11P	G	-

Connector No.	E2
Connector Name	WIRE TO WIRE
Connector Color	WHITE



Terminal No.	Color of Wire	Signal Name
5	O	-

ABKIA2498GB

BCM (BODY CONTROL MODULE)

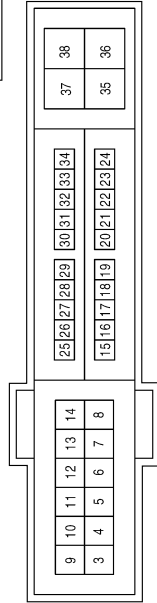
< ECU DIAGNOSIS >

Connector No.	E21
Connector Name	JOINT CONNECTOR-E03
Connector Color	WHITE



Terminal No.	Color of Wire	Signal Name
1	L	-
2	L	-

Terminal No.	Color of Wire	Signal Name
11	O	ESCL (EARLY PRODUCTION)
12	B	GND (POWER)
28	SB	PUSH START SW
32	P	SL CONDITION 1 (EARLY PRODUCTION)
33	G	SL CONDITION 2 (EARLY PRODUCTION)



Connector No.	E18
Connector Name	IPDM E/R (INTELLIGENT POWER DISTRIBUTION MODULE ENGINE ROOM)
Connector Color	WHITE



Connector No.	E28
Connector Name	INTELLIGENT KEY WARNING BUZZER
Connector Color	BROWN



Terminal No.	Color of Wire	Signal Name
1	G	+B
3	R	BUZZER SIGNAL

Connector No.	E22
Connector Name	JOINT CONNECTOR-E04
Connector Color	WHITE



Terminal No.	Color of Wire	Signal Name
1	P	-
2	P	-

A
B
C
D
E
F
G
H
I
J
DLK
L
M
N
O
P

BCM (BODY CONTROL MODULE)

< ECU DIAGNOSIS >

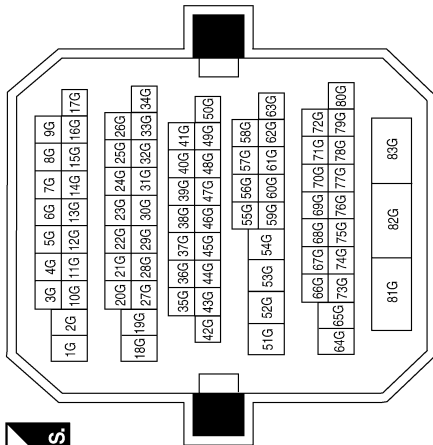
Connector No.	E38
Connector Name	STOP LAMP SWITCH
Connector Color	WHITE



Terminal No.	Color of Wire	Signal Name
3	R	-
4	LG	-

Terminal No.	Color of Wire	Signal Name
8G	P	-
15G	L	-
21G	O	-(EARLY PRODUCTION)
22G	G	-(EARLY PRODUCTION)
28G	P	-(EARLY PRODUCTION)
29G	SB	-
57G	R	-
82G	LG	-

Connector No.	E30
Connector Name	WIRE TO WIRE
Connector Color	WHITE



Connector No.	E216
Connector Name	HORN (HIGH)
Connector Color	BLACK



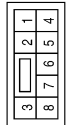
Terminal No.	Color of Wire	Signal Name
1	G	-

Connector No.	E215
Connector Name	HORN (LOW)
Connector Color	BLACK



Terminal No.	Color of Wire	Signal Name
1	G	-

Connector No.	E202
Connector Name	WIRE TO WIRE
Connector Color	WHITE



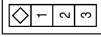
Terminal No.	Color of Wire	Signal Name
5	G	-

ABK1A2500GB

BCM (BODY CONTROL MODULE)

< ECU DIAGNOSIS >

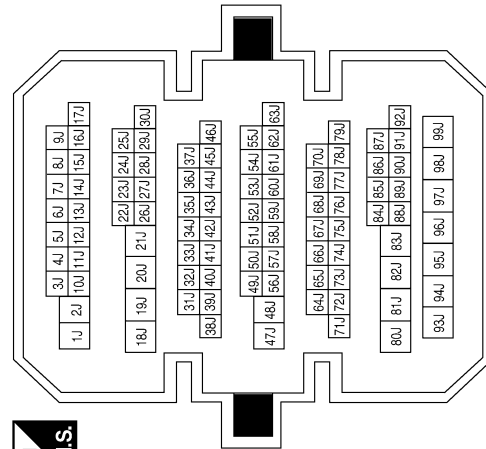
Connector No.	B8
Connector Name	FRONT DOOR SWITCH LH
Connector Color	WHITE



Terminal No.	Color of Wire	Signal Name
2	SB	-

Terminal No.	Color of Wire	Signal Name
10J	SB	-
11J	W	-
12J	B	-
13J	R	-
14J	G	-
26J	W	-
27J	SB	-
28J	BR	-

Connector No.	B1
Connector Name	WIRE TO WIRE
Connector Color	WHITE

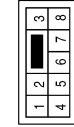


Connector No.	B29
Connector Name	REAR PARCEL SHELF ANTENNA
Connector Color	GRAY



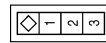
Terminal No.	Color of Wire	Signal Name
1	W	-
2	B	-

Connector No.	B24
Connector Name	WIRE TO WIRE
Connector Color	WHITE



Terminal No.	Color of Wire	Signal Name
4	SB	-
5	W	-
8	B	-

Connector No.	B18
Connector Name	REAR DOOR SWITCH LH
Connector Color	WHITE



Terminal No.	Color of Wire	Signal Name
2	BR	-

ABKIA2501GB

A
B
C
D
E
F
G
H
I
J
DLK
L
M
N
O
P

BCM (BODY CONTROL MODULE)

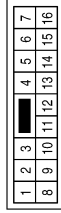
< ECU DIAGNOSIS >

Connector No.	B108
Connector Name	FRONT DOOR SWITCH RH
Connector Color	WHITE



Terminal No.	Color of Wire	Signal Name
2	GR	-

Connector No.	B104
Connector Name	WIRE TO WIRE
Connector Color	WHITE



Terminal No.	Color of Wire	Signal Name
15	GR	-
16	B	-

Connector No.	B46
Connector Name	REAR BUMPER ANTENNA
Connector Color	GRAY



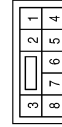
Terminal No.	Color of Wire	Signal Name
1	R	-
2	G	-

Connector No.	T5
Connector Name	TRUNK OPENER REQUEST SWITCH
Connector Color	BROWN



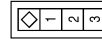
Terminal No.	Color of Wire	Signal Name
1	SB	-
2	B	-

Connector No.	T2
Connector Name	WIRE TO WIRE
Connector Color	WHITE



Terminal No.	Color of Wire	Signal Name
4	SB	-
5	W	-
8	B	-

Connector No.	B116
Connector Name	REAR DOOR SWITCH RH
Connector Color	WHITE



Terminal No.	Color of Wire	Signal Name
2	B	-

ABKIA2502GB

BCM (BODY CONTROL MODULE)

< ECU DIAGNOSIS >

Connector No.	T7
Connector Name	TRUNK LAMP SWITCH AND TRUNK RELEASE SOLENOID
Connector Color	WHITE



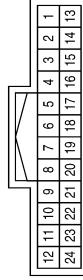
Terminal No.	Color of Wire	Signal Name
2	W	-
3	B	-

Connector No.	D1
Connector Name	WIRE TO WIRE
Connector Color	WHITE



Terminal No.	Color of Wire	Signal Name
10	B	-

Connector No.	D2
Connector Name	WIRE TO WIRE
Connector Color	WHITE



Terminal No.	Color of Wire	Signal Name
10	G	-
21	R	-
22	W	-
24	P	-

Connector No.	D6
Connector Name	FRONT OUTSIDE HANDLE LH
Connector Color	GRAY



Terminal No.	Color of Wire	Signal Name
1	R	ANT+
2	G	ANT-

Connector No.	D10
Connector Name	FRONT DOOR LOCK ASSEMBLY LH
Connector Color	GRAY



Terminal No.	Color of Wire	Signal Name
3	P	-
4	B	-

Connector No.	D15
Connector Name	FRONT OUTSIDE HANDLE LH
Connector Color	BLACK



Terminal No.	Color of Wire	Signal Name
3	W	SW+
4	B	SW-

ABKIA2503GB

A
B
C
D
E
F
G
H
I
J
DLK
L
M
N
O
P

BCM (BODY CONTROL MODULE)

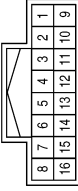
< ECU DIAGNOSIS >

Connector No.	D106
Connector Name	FRONT OUTSIDE HANDLE RH
Connector Color	GRAY



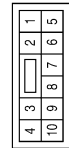
Terminal No.	Color of Wire	Signal Name
1	R	ANT+
2	G	ANT-

Connector No.	D102
Connector Name	WIRE TO WIRE
Connector Color	WHITE



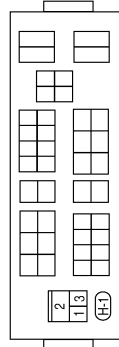
Terminal No.	Color of Wire	Signal Name
9	R	-
10	G	-
11	GR	-

Connector No.	D101
Connector Name	WIRE TO WIRE
Connector Color	WHITE



Terminal No.	Color of Wire	Signal Name
6	B	-

Connector No.	H-1
Connector Name	FUSE AND FUSIBLE LINK BOX (HORN RELAY)
Connector Color	-



Terminal No.	Color of Wire	Signal Name
1	W	-
2	SB	-
3	O	-

Connector No.	D115
Connector Name	FRONT OUTSIDE HANDLE RH
Connector Color	BLACK



Terminal No.	Color of Wire	Signal Name
3	GR	SW+
4	B	SW-

ABKIA2504GB

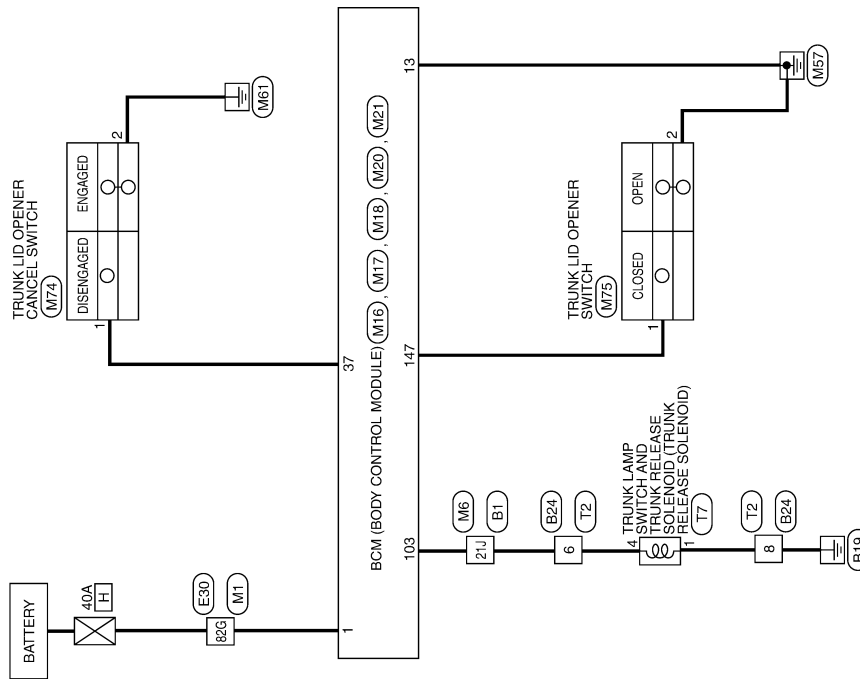
BCM (BODY CONTROL MODULE)

< ECU DIAGNOSIS >

Wiring Diagram — TRUNK LID OPENER SYSTEM —

INFOID:000000005461294

TRUNK LID OPENER



A
B
C
D
E
F
G
H
I
J
K
L
M
N
O
P

DLK

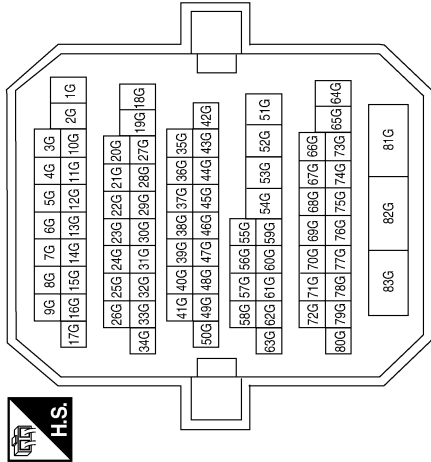
ABKWA0133GE

BCM (BODY CONTROL MODULE)

< ECU DIAGNOSIS >

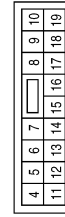
TRUNK LID OPENER CONNECTORS

Connector No.	M1
Connector Name	WIRE TO WIRE
Connector Color	WHITE



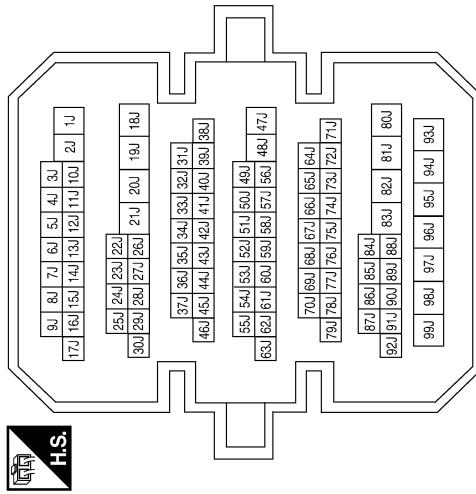
Terminal No.	Color of Wire	Signal Name
82G	W/B	-

Connector No.	M17
Connector Name	BCM (BODY CONTROL MODULE)
Connector Color	WHITE



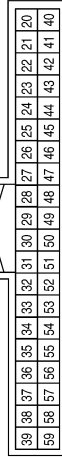
Terminal No.	Color of Wire	Signal Name
13	B	GND1

Connector No.	M6
Connector Name	WIRE TO WIRE
Connector Color	WHITE



Terminal No.	Color of Wire	Signal Name
21J	V	-

Connector No.	M18
Connector Name	BCM (BODY CONTROL MODULE)
Connector Color	GREEN



Connector No.	M16
Connector Name	BCM (BODY CONTROL MODULE)
Connector Color	BLACK



Terminal No.	Color of Wire	Signal Name
1	W/B	BATT (F/L)

Terminal No.	Color of Wire	Signal Name
37	O	TRUNK CANCEL SW

BCM (BODY CONTROL MODULE)

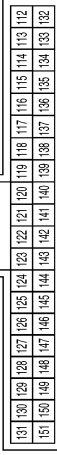
< ECU DIAGNOSIS >

Connector No.	M74
Connector Name	TRUNK LID OPENER CANCEL SWITCH
Connector Color	WHITE



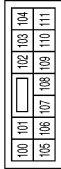
Terminal No.	Color of Wire	Signal Name
1	O	-
2	B	-

Connector No.	M21
Connector Name	BCM (BODY CONTROL MODULE)
Connector Color	GRAY



Terminal No.	Color of Wire	Signal Name
147	L/R	BACK TRUNK OPENER

Connector No.	M20
Connector Name	BCM (BODY CONTROL MODULE)
Connector Color	WHITE



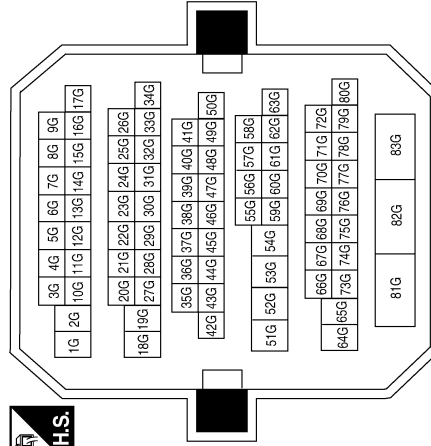
Terminal No.	Color of Wire	Signal Name
103	V	CDL BACK TRUNK

Connector No.	M75
Connector Name	TRUNK LID OPENER SWITCH
Connector Color	BLACK



Terminal No.	Color of Wire	Signal Name
1	L/R	-
2	B	-

Connector No.	E30
Connector Name	WIRE TO WIRE
Connector Color	WHITE



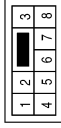
ABKIA0445GB

A
B
C
D
E
F
G
H
I
J
DLK
L
M
N
O
P

BCM (BODY CONTROL MODULE)

< ECU DIAGNOSIS >

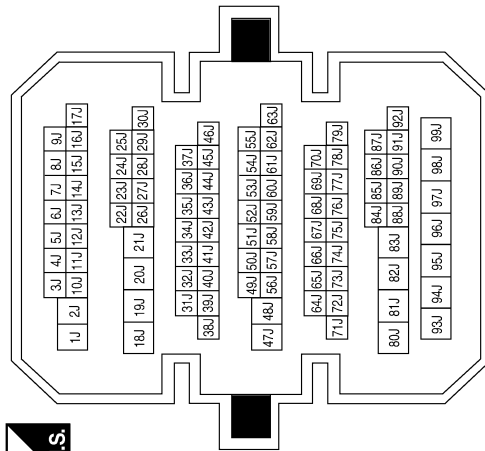
Connector No.	B24
Connector Name	WIRE TO WIRE
Connector Color	WHITE



Terminal No.	Color of Wire	Signal Name
6	V	-
8	B	-

Terminal No.	Color of Wire	Signal Name
21J	V	-

Connector No.	B1
Connector Name	WIRE TO WIRE
Connector Color	WHITE

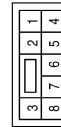


Connector No.	T7
Connector Name	TRUNK LAMP SWITCH AND TRUNK RELEASE SOLENOID
Connector Color	WHITE



Terminal No.	Color of Wire	Signal Name
1	B	-
4	V	-

Connector No.	T2
Connector Name	WIRE TO WIRE
Connector Color	WHITE



Terminal No.	Color of Wire	Signal Name
6	V	-
8	B	-

Fail Safe

ABKIA0446GB

INFOID:000000005532027

Display contents of CONSULT	Fail-safe	Cancellation
B2013: ID DISCORD BCM-S/L*	Inhibit engine cranking	Erase DTC
B2014: CHAIN OF S/L-BCM*	Inhibit engine cranking	Erase DTC
B2190: NATS ANTENNA AMP	Inhibit engine cranking	Erase DTC

BCM (BODY CONTROL MODULE)

< ECU DIAGNOSIS >

Display contents of CONSULT	Fail-safe	Cancellation	
B2191: DIFFERENCE OF KEY	Inhibit engine cranking	Erase DTC	A
B2192: ID DISCORD BCM-ECM	Inhibit engine cranking	Erase DTC	
B2193: CHAIN OF BCM-ECM	Inhibit engine cranking	Erase DTC	B
B2195: ANTI-SCANNING	Inhibit engine cranking	Erase DTC	
B2557: VEHICLE SPEED*	Inhibit electronic steering column lock	When normal vehicle speed signals have been received from ABS actuator and electric unit (control unit) for 500 ms	C
B2560: STARTER CONT RELAY	Inhibit engine cranking	500 ms after the following CAN signal communication status has become consistent <ul style="list-style-type: none"> • Starter control relay signal • Starter relay status signal 	D
B2562: LO VOLTAGE	<ul style="list-style-type: none"> • Inhibit engine cranking • Inhibit electronic steering column lock* 	100 ms after the power supply voltage increases to more than 8.8 V	E
B2601: SHIFT POSITION*	Inhibit electronic steering column lock	500 ms after the following signal reception status becomes consistent <ul style="list-style-type: none"> • Selector lever P position switch signal • P range signal (CAN) 	F
B2602: SHIFT POSITION*	Inhibit electronic steering column lock	5 seconds after the following BCM recognition conditions are fulfilled <ul style="list-style-type: none"> • Ignition switch is in the ON position • Selector lever P position switch signal: Except P position (battery voltage) • Vehicle speed: 4 km/h or more 	G
B2603: SHIFT POSI STATUS*	Inhibit electronic steering column lock	500 ms after the following BCM recognition conditions are fulfilled <ul style="list-style-type: none"> • Ignition switch is in the ON position • Selector lever P position switch signal: Except P position (battery voltage) • Selector lever transmission range switch signal: Except P and N positions (0 V) 	H
B2604: TRANSMISSION RANGE SWITCH*	Inhibit electronic steering column lock	500 ms after any of the following BCM recognition conditions is fulfilled <ul style="list-style-type: none"> • Status 1 <ul style="list-style-type: none"> - Ignition switch is in the ON position - Selector lever transmission range switch signal: P and N position (battery voltage) - P range signal or N range signal (CAN): ON • Status 2 <ul style="list-style-type: none"> - Ignition switch is in the ON position - Selector lever transmission range switch signal: Except P and N positions (0 V) - P range signal and N range signal (CAN): OFF 	I J DLK
B2605: TRANSMISSION RANGE SWITCH*	Inhibit electronic steering column lock	500 ms after any of the following BCM recognition conditions is fulfilled <ul style="list-style-type: none"> • Ignition switch is in the ON position - Power position: IGN - Selector lever transmission range switch signal: Except P and N positions (0 V) - Transmission range switch signal (CAN): OFF • Status 2 <ul style="list-style-type: none"> - Ignition switch is in the ON position - Selector lever transmission range switch signal: P or N position (battery voltage) - Transmission range switch signal (CAN): ON 	L M N O
B2606: S/L RELAY*	Inhibit engine cranking	500 ms after the following CAN signal communication status has become consistent <ul style="list-style-type: none"> • Electronic steering column lock relay signal (Request signal) • Electronic steering column lock relay signal (Condition signal) 	P

BCM (BODY CONTROL MODULE)

< ECU DIAGNOSIS >

Display contents of CONSULT	Fail-safe	Cancellation
B2607: S/L RELAY*	Inhibit engine cranking	500 ms after the following CAN signal communication status has become consistent <ul style="list-style-type: none"> • Electronic steering column lock relay signal (Request signal) • Electronic steering column lock relay signal (Condition signal)
B2608: STARTER RELAY	Inhibit engine cranking	500 ms after the following signal communication status becomes consistent <ul style="list-style-type: none"> • Starter motor relay control signal • Starter relay status signal (CAN)
B2609: S/L STATUS*	<ul style="list-style-type: none"> • Inhibit engine cranking • Inhibit electronic steering column lock 	When the following electronic steering column lock conditions agree <ul style="list-style-type: none"> • BCM electronic steering column lock control status • Electronic steering column lock condition No. 1 signal status • Electronic steering column lock condition No. 2 signal status
B260A: IGNITION RELAY	Inhibit engine cranking	500 ms after the following conditions are fulfilled <ul style="list-style-type: none"> • IGN relay (IPDM E/R) control signal: OFF (Battery voltage) • Ignition ON signal (CAN to IPDM E/R): OFF (Request signal) • Ignition ON signal (CAN from IPDM E/R): OFF (Condition signal)
B260F: ENG STATE SIG LOST	Maintains the power supply position attained at the time of DTC detection	When any of the following conditions is fulfilled <ul style="list-style-type: none"> • Power position changes to ACC • Receives engine status signal (CAN)
B2612: S/L STATUS*	<ul style="list-style-type: none"> • Inhibit engine cranking • Inhibit electronic steering column lock 	When any of the following conditions is fulfilled <ul style="list-style-type: none"> • Electronic steering column lock unit status signal (CAN) is received normally • The BCM electronic steering column lock control status matches the electronic steering column lock status recognized by the electronic steering column lock unit status signal (CAN from IPDM E/R)
B2617: STARTER RELAY CIRC	Inhibit engine cranking	1 second after the starter motor relay control inside BCM becomes normal
B2618: BCM	Inhibit engine cranking	1 second after the ignition relay (IPDM E/R) control inside BCM becomes normal
B2619: BCM*	Inhibit engine cranking	1 second after the electronic steering column lock unit power supply output control inside BCM becomes normal
B26E1: ENG STATE NO RECIV	Inhibit engine cranking	When any of the following conditions are fulfilled <ul style="list-style-type: none"> • Power position changes to ACC • Receives engine status signal (CAN)

* : With electronic steering column lock

DTC Inspection Priority Chart

INFOID:000000005532028

If some DTCs are displayed at the same time, perform inspections one by one based on the following priority chart.

Priority	DTC
1	<ul style="list-style-type: none"> • B2562: LO VOLTAGE
2	<ul style="list-style-type: none"> • U1000: CAN COMM CIRCUIT • U1010: CONTROL UNIT (CAN)
3	<ul style="list-style-type: none"> • B2190: NATS ANTENNA AMP • B2191: DIFFERENCE OF KEY • B2192: ID DISCORD BCM-ECM • B2193: CHAIN OF BCM-ECM

BCM (BODY CONTROL MODULE)

< ECU DIAGNOSIS >

Priority	DTC	A		
4	<ul style="list-style-type: none"> • B2013: ID DISCORD BCM-S/L* • B2014: CHAIN OF S/L-BCM* • B2553: IGNITION RELAY • B2555: STOP LAMP • B2556: PUSH-BTN IGN SW • B2557: VEHICLE SPEED • B2560: STARTER CONT RELAY • B2601: SHIFT POSITION • B2602: SHIFT POSITION • B2603: SHIFT POSI STATUS • B2604: TRANSMISSION RANGE SWITCH • B2605: TRANSMISSION RANGE SWITCH • B2606: S/L RELAY* • B2607: S/L RELAY* • B2608: STARTER RELAY • B2609: S/L STATUS* • B260A: IGNITION RELAY • B260B: STEERING LOCK UNIT* • B260C: STEERING LOCK UNIT* • B260D: STEERING LOCK UNIT* • B260F: ENG STATE SIG LOST • B2612: S/L STATUS* • B2614: ACC RELAY CIRC • B2615: BLOWER RELAY CIRC • B2616: IGN RELAY CIRC • B2617: STARTER RELAY CIRC • B2618: BCM • B2619: BCM* • B261A: PUSH-BTN IGN SW • B26E1: ENG STATE NO RECIV • C1729: VHCL SPEED SIG ERR • U0415: VEHICLE SPEED SIG 	<p style="text-align: center;">B</p> <p style="text-align: center;">C</p> <p style="text-align: center;">D</p> <p style="text-align: center;">E</p> <p style="text-align: center;">F</p> <p style="text-align: center;">G</p> <p style="text-align: center;">H</p> <p style="text-align: center;">I</p> <p style="text-align: center;">J</p>		
	5	<ul style="list-style-type: none"> • C1704: LOW PRESSURE FL • C1705: LOW PRESSURE FR • C1706: LOW PRESSURE RR • C1707: LOW PRESSURE RL • C1708: [NO DATA] FL • C1709: [NO DATA] FR • C1710: [NO DATA] RR • C1711: [NO DATA] RL • C1712: [CHECKSUM ERR] FL • C1713: [CHECKSUM ERR] FR • C1714: [CHECKSUM ERR] RR • C1715: [CHECKSUM ERR] RL • C1716: [PRESSDATA ERR] FL • C1717: [PRESSDATA ERR] FR • C1718: [PRESSDATA ERR] RR • C1719: [PRESSDATA ERR] RL • C1720: [CODE ERR] FL • C1721: [CODE ERR] FR • C1722: [CODE ERR] RR • C1723: [CODE ERR] RL • C1724: [BATT VOLT LOW] FL • C1725: [BATT VOLT LOW] FR • C1726: [BATT VOLT LOW] RR • C1727: [BATT VOLT LOW] RL • C1734: CONTROL UNIT 	<p style="text-align: center;">DLK</p> <p style="text-align: center;">L</p> <p style="text-align: center;">M</p> <p style="text-align: center;">N</p> <p style="text-align: center;">O</p> <p style="text-align: center;">P</p>	
		6	<ul style="list-style-type: none"> • B2622: INSIDE ANTENNA • B2623: INSIDE ANTENNA 	

* : With electronic steering column lock

BCM (BODY CONTROL MODULE)

< ECU DIAGNOSIS >

DTC Index

INFOID:000000005532029

NOTE:

- Details of time display
- CRNT: Displays when there is a malfunction now or after returning to the normal condition until turning ignition switch OFF → ON again.
- 1 - 39: Displayed if any previous malfunction is present when current condition is normal. It increases 1 → 2 → 3...38 → 39 after returning to the normal condition whenever ignition switch OFF → ON. The counter remains at 39 even if the number of cycles exceeds it. It is counted from 1 again when turning ignition switch OFF → ON after returning to the normal condition if the malfunction is detected again.

CONSULT display	Fail-safe	Intelligent Key warning lamp ON	Tire pressure monitor warning lamp ON	Reference page
No DTC is detected. further testing may be required.	—	—	—	—
U1000: CAN COMM CIRCUIT	—	—	—	BCS-36
U1010: CONTROL UNIT (CAN)	—	—	—	BCS-37
U0415: VEHICLE SPEED SIG	—	—	—	BCS-38
B2013: ID DISCORD BCM-S/L*	×	—	—	SEC-39
B2014: CHAIN OF S/L-BCM*	×	—	—	SEC-40
B2190: NATS ANTENNA AMP	×	—	—	SEC-43
B2191: DIFFERENCE OF KEY	×	—	—	SEC-46
B2192: ID DISCORD BCM-ECM	×	—	—	SEC-47
B2193: CHAIN OF BCM-ECM	×	—	—	SEC-48
B2553: IGNITION RELAY	—	—	—	PCS-55
B2555: STOP LAMP	—	—	—	SEC-49
B2556: PUSH-BTN IGN SW	—	×	—	SEC-52
B2557: VEHICLE SPEED	×	×	—	SEC-54
B2560: STARTER CONT RELAY	×	×	—	SEC-55
B2562: LOW VOLTAGE	—	—	—	BCS-39
B2601: SHIFT POSITION	×	×	—	SEC-56
B2602: SHIFT POSITION	×	×	—	SEC-59
B2603: SHIFT POSI STATUS	×	×	—	SEC-62
B2604: TRANSMISSION RANGE SWITCH	×	×	—	SEC-65
B2605: TRANSMISSION RANGE SWITCH	×	×	—	SEC-67
B2606: S/L RELAY*	×	×	—	SEC-69
B2607: S/L RELAY*	×	×	—	SEC-70
B2608: STARTER RELAY	×	×	—	SEC-72
B2609: S/L STATUS*	×	×	—	SEC-74
B260A: IGNITION RELAY	×	×	—	PCS-57
B260B: STEERING LOCK UNIT*	—	×	—	SEC-78
B260C: STEERING LOCK UNIT*	—	×	—	SEC-79
B260D: STEERING LOCK UNIT*	—	×	—	SEC-80
B260F: ENG STATE SIG LOST	×	×	—	SEC-81
B2612: S/L STATUS*	×	×	—	SEC-83
B2614: ACC RELAY CIRC	—	×	—	PCS-59

BCM (BODY CONTROL MODULE)

< ECU DIAGNOSIS >

CONSULT display	Fail-safe	Intelligent Key warning lamp ON	Tire pressure monitor warning lamp ON	Reference page	
B2615: BLOWER RELAY CIRC	—	×	—	PCS-62	A
B2616: IGN RELAY CIRC	—	×	—	PCS-65	B
B2617: STARTER RELAY CIRC	×	×	—	PCS-65	
B2618: BCM	×	×	—	PCS-68	C
B2619: BCM*	×	×	—	SEC-89	
B261A: PUSH-BTN IGN SW	—	×	—	SEC-90	
B2622: INSIDE ANTENNA	—	—	—	DLK-60	D
B2623: INSIDE ANTENNA	—	—	—	DLK-63	
B26E1: ENG STATE NO RES	×	×	—	SEC-82	E
C1704: LOW PRESSURE FL	—	—	×	WT-48	
C1705: LOW PRESSURE FR	—	—	×	WT-48	
C1706: LOW PRESSURE RR	—	—	×	WT-48	F
C1707: LOW PRESSURE RL	—	—	×	WT-48	
C1708: [NO DATA] FL	—	—	×	WT-14	G
C1709: [NO DATA] FR	—	—	×	WT-14	
C1710: [NO DATA] RR	—	—	×	WT-14	
C1711: [NO DATA] RL	—	—	×	WT-14	H
C1712: [CHECKSUM ERR] FL	—	—	×	WT-16	
C1713: [CHECKSUM ERR] FR	—	—	×	WT-16	I
C1714: [CHECKSUM ERR] RR	—	—	×	WT-16	
C1715: [CHECKSUM ERR] RL	—	—	×	WT-16	
C1716: [PRESSDATA ERR] FL	—	—	×	WT-18	J
C1717: [PRESSDATA ERR] FR	—	—	×	WT-18	
C1718: [PRESSDATA ERR] RR	—	—	×	WT-18	
C1719: [PRESSDATA ERR] RL	—	—	×	WT-18	DLK
C1720: [CODE ERR] FL	—	—	×	WT-16	
C1721: [CODE ERR] FR	—	—	×	WT-16	L
C1722: [CODE ERR] RR	—	—	×	WT-16	
C1723: [CODE ERR] RL	—	—	×	WT-16	
C1724: [BATT VOLT LOW] FL	—	—	×	WT-16	M
C1725: [BATT VOLT LOW] FR	—	—	×	WT-16	
C1726: [BATT VOLT LOW] RR	—	—	×	WT-16	N
C1727: [BATT VOLT LOW] RL	—	—	×	WT-16	
C1729: VHCL SPEED SIG ERR	—	—	×	WT-20	O
C1734: CONTROL UNIT	—	—	×	WT-21	

* : With electronic steering column lock

INTELLIGENT KEY SYSTEM SYMPTOMS

< SYMPTOM DIAGNOSIS >

SYMPTOM DIAGNOSIS

INTELLIGENT KEY SYSTEM SYMPTOMS

Symptom Table

INFOID:000000005461298

ALL FUNCTIONS OF INTELLIGENT KEY SYSTEM DO NOT OPERATE

NOTE:

- Before performing the diagnosis in the following table, check “WORK FLOW”. Refer to [DLK-6, "Work Flow"](#).
- Check that vehicle is under the condition shown in “Conditions of vehicle” before starting diagnosis, and check each symptom.
- If the following symptoms are detected, check systems shown in the “Diagnosis/service procedure” column in this order.

Conditions of Vehicle (Operating Conditions)

- “ENGINE START BY I-KEY” and “LOCK/UNLOCK BY I-KEY” are ON when setting on CONSULT-III.
- All doors are closed.

Symptom	Diagnosis/service procedure	Reference page
All functions of Intelligent Key system do not operate.	1. Check BCM power supply and ground circuit.	DLK-66
	2. Check Intelligent Key function and battery inspection.	DLK-115
	3. Check remote keyless entry receiver.	DLK-111
	4. Check Intermittent Incident.	GI-39

DOOR LOCK FUNCTION SYMPTOMS

< SYMPTOM DIAGNOSIS >

DOOR LOCK FUNCTION SYMPTOMS

DOOR LOCK AND UNLOCK SWITCH

DOOR LOCK AND UNLOCK SWITCH : Symptom Table

INFOID:000000005461299

DOOR LOCK/UNLOCK FUNCTION MALFUNCTION

NOTE:

- Before performing the diagnosis in the following table, check “WORK FLOW”. Refer to [DLK-6. "Work Flow"](#).
- Check that vehicle is under the condition shown in “Conditions of vehicle” before starting diagnosis, and check each symptom.
- If the following symptoms are detected, check systems shown in the “Diagnosis/service procedure” column in this order.

Conditions of Vehicle (Operating Conditions)

- “LOCK/UNLOCK BY I-KEY” is ON when setting on CONSULT-III.
- Intelligent Key is out of key slot.
- All doors are closed.

Symptom	Diagnosis/service procedure	Reference page	
Power door locks do not operate with door lock and unlock switch.	1. Check BCM Power supply and ground circuit.	DLK-66	
	2. Check door lock and unlock switch.	DLK-71	
	3. Check door lock actuator (driver side)	DLK-99	
	4. Check Intermittent Incident.	GI-39	
Power door locks do not operate with door key cylinder operation. (Power door locks operate properly with door lock and unlock switch.)	1. Check key cylinder switch.	DLK-78	
	2. Replace power window main switch.	PWC-128	
Specific door lock actuator does not operate.	1. Check door lock actuator.	Driver side	DLK-99
		Passenger side	DLK-100
		Rear LH	DLK-101
		Rear RH	DLK-102
	2. Check Intermittent Incident.	GI-39	

DOOR REQUEST SWITCH

DOOR REQUEST SWITCH : Symptom Table

INFOID:000000005461300

DOOR LOCK/UNLOCK FUNCTION MALFUNCTION

NOTE:

- Before performing the diagnosis in the following table, check “WORK FLOW”. Refer to [DLK-6. "Work Flow"](#).
- Check that vehicle is under the condition shown in “Conditions of vehicle” before starting diagnosis, and check each symptom.
- If the following symptoms are detected, check systems shown in the “Diagnosis/service procedure” column in this order.

Conditions of Vehicle (Operating Conditions)

- “LOCK/UNLOCK BY I-KEY” is ON when setting on CONSULT-III.
- Intelligent Key is out of key slot.
- All doors are closed.

DOOR LOCK FUNCTION SYMPTOMS

< SYMPTOM DIAGNOSIS >

Symptom	Diagnosis/service procedure	Reference page
Door lock/unlock system does not operate by door request switch.	1. Check BCM power supply and ground circuit.	DLK-66
	2. Check door switch.	DLK-68
	3. Check key slot.	DLK-76
	4. Check Intermittent Incident.	GI-39
Door lock/unlock system does not operate by request switch (driver side).	1. Check door request switch (driver side).	DLK-92
	2. Check outside key antenna (driver side).	DLK-108
	3. Check Intermittent Incident.	GI-39
Door lock/unlock system does not operate by request switch (passenger side).	1. Check door request switch (passenger side).	DLK-92
	2. Check outside key antenna (passenger side).	DLK-108
	3. Check Intermittent Incident.	GI-39
Selective unlock function does not operate by door request switch (driver side) (other door lock function operate).	1. Check "DOOR LOCK-UNLOCK SET" setting in "WORK SUPPORT".	DLK-53
	2. Check selective unlock function with a remote controller or door key cylinder.	DLK-16
	3. Check Intermittent Incident.	GI-39
Selective unlock function does not operate by door request switch (passenger side) (other door lock functions operate).	1. Check "DOOR LOCK-UNLOCK SET" setting in "WORK SUPPORT".	DLK-53
	2. Check Intermittent Incident.	GI-39
Auto lock function does not operate.	1. Check "AUTO LOCK SET" setting in "WORK SUPPORT".	DLK-53
	2. Check door switch.	DLK-68
	3. Check key slot.	DLK-76
	4. Check Intermittent Incident.	GI-39

INTELLIGENT KEY

INTELLIGENT KEY : Symptom Table

INFOID:000000005461301

REMOTE KEYLESS ENTRY FUNCTION MALFUNCTION

NOTE:

- Before performing the diagnosis in the following table, check "WORK FLOW". Refer to [DLK-6, "Work Flow"](#).
- Check that vehicle is under the condition shown in "Conditions of vehicle" before starting diagnosis, and check each symptom.
- If the following symptoms are detected, check systems shown in the "Diagnosis/service procedure" column in this order.

Conditions of Vehicle (Operating Conditions)

- Intelligent Key is out of key slot.
- Ignition switch is in OFF or ACC position.
- All doors are closed.
- Retained power operation does not operate. Refer to [DLK-21, "INTELLIGENT KEY : System Description"](#).

Symptom	Diagnosis/service procedure	Reference page
All of the remote keyless entry functions do not operate.	1. Check Intelligent Key battery inspection.	DLK-115
	2. Check Intermittent Incident.	GI-39
Selective unlock function does not operate by Intelligent Key.	1. Check "DOOR LOCK-UNLOCK SET" setting in "WORK SUPPORT".	DLK-53
	2. Check Intelligent Key battery inspection.	DLK-115
	3. Check Intermittent Incident.	GI-39

DOOR LOCK FUNCTION SYMPTOMS

< SYMPTOM DIAGNOSIS >

Symptom	Diagnosis/service procedure	Reference page
Auto lock function does not operate normally.	1. Check "AUTO LOCK SET" setting in "WORK SUPPORT".	DLK-53
	2. Check door switch.	DLK-68
	3. Check key slot.	DLK-76
	4. Check Intermittent Incident.	GI-39
Power window down function does not operate.	1. Check "PW DOWN SET" setting in "WORK SUPPORT".	DLK-53
	2. Check Intelligent Key battery inspection.	DLK-115

A
B
C
D
E
F
G
H
I
J
L
M
N
O
P

DLK

TRUNK OPEN FUNCTION SYMPTOMS

< SYMPTOM DIAGNOSIS >

TRUNK OPEN FUNCTION SYMPTOMS

TRUNK LID OPENER SWITCH

TRUNK LID OPENER SWITCH : Symptom Table

INFOID:000000005461302

TRUNK OPEN FUNCTION MALFUNCTION

NOTE:

- Before performing the diagnosis in the following table, check “WORK FLOW”. Refer to [DLK-6, "Work Flow"](#).
- Check that vehicle is under the condition shown in “Conditions of vehicle” before starting diagnosis, and check each symptom.
- If the following symptoms are detected, check systems shown in the “Diagnosis/service procedure” column in this order.

Conditions of Vehicle (Operating Conditions)

- Intelligent Key is out of key slot.
- All doors are closed.

Symptom	Diagnosis/service procedure	Reference page
Trunk open function does not operate by trunk opener switch.	1. Check trunk opener switch.	DLK-84
	2. Check trunk lid opener cancel switch.	DLK-86
	3. Check Intermittent Incident.	GI-39

TRUNK REQUEST SWITCH

TRUNK REQUEST SWITCH : Symptom Table

INFOID:000000005461303

TRUNK OPEN FUNCTION MALFUNCTION

NOTE:

- Before performing the diagnosis in the following table, check “WORK FLOW”. Refer to [DLK-6, "Work Flow"](#).
- Check that vehicle is under the condition shown in “Conditions of vehicle” before starting diagnosis, and check each symptom.
- If the following symptoms are detected, check systems shown in the “Diagnosis/service procedure” column in this order.

Conditions of Vehicle (Operating Conditions)

- Intelligent Key is out of key slot.
- All doors are closed.

Symptom	Diagnosis/service procedure	Reference page
Trunk open function does not operate by trunk opener request switch.	1. Check trunk opener request switch.	DLK-96
	2. Check trunk lid opener cancel switch.	DLK-86
	3. Check outside key antenna (trunk room).	DLK-108
	4. Check Intermittent Incident.	GI-39

INTELLIGENT KEY

INTELLIGENT KEY : Symptom Table

INFOID:000000005461304

TRUNK OPEN FUNCTION MALFUNCTION

NOTE:

- Before performing the diagnosis in the following table, check “WORK FLOW”. Refer to [DLK-6, "Work Flow"](#).
- Check that vehicle is under the condition shown in “Conditions of vehicle” before starting diagnosis, and check each symptom.
- If the following symptoms are detected, check systems shown in the “Diagnosis/service procedure” column in this order.

Conditions of Vehicle (Operating Conditions)

- Intelligent Key is out of key slot.
- All doors are closed.

TRUNK OPEN FUNCTION SYMPTOMS

< SYMPTOM DIAGNOSIS >

Symptom	Diagnosis/service procedure	Reference page
Trunk open function does not operate by Intelligent Key.	1. Check "TRUNK OPEN DELAY" setting in "WORK SUPPORT".	DLK-53
	2. Check trunk open function.	DLK-34
	3. Check trunk room lamp switch.	DLK-89
	4. Check Intelligent Key battery inspection.	DLK-115
	5. Check Intermittent Incident.	GI-39

A

B

C

D

E

F

G

H

I

J

DLK

L

M

N

O

P

WARNING FUNCTION SYMPTOMS

< SYMPTOM DIAGNOSIS >

WARNING FUNCTION SYMPTOMS

Symptom Table

INFOID:000000005461305

WARNING FUNCTION MALFUNCTION

NOTE:

- Before performing the diagnosis in the following table, check “WORK FLOW”. Refer to [DLK-6, "Work Flow"](#).
- Check that vehicle is under the condition shown in “Conditions of vehicle” before starting diagnosis, and check each symptom.
- If the following symptoms are detected, check systems shown in the “Diagnosis/service procedure” column in this order.

Conditions of Vehicle (Operating Conditions)

Warning chime functions operating condition is extremely complicated. During operating confirmations, reconfirm the list above twice in order to ensure proper operation.

Symptom		Diagnosis/service procedure	Reference page
OFF position warning does not operate.	For internal	1. Check push-button ignition switch position indicator.	SEC-90
		2. Check door switch.	DLK-68
		3. Check warning chime function.	DLK-121
		4. Check Intermittent Incident.	GI-39
	For external	1. Check push-button ignition switch position indicator.	SEC-90
		2. Check door switch.	DLK-68
		3. Check Intelligent Key warning buzzer.	DLK-106
		4. Check Intermittent Incident.	GI-39
P position warning does not operate.	1. Check Park position switch.	SEC-62	
	2. Check door switch.	DLK-68	
	3. Check Intelligent Key warning buzzer.	DLK-106	
	4. Check warning chime function.	DLK-121	
	5. Check combination meter display function.	DLK-120	
	6. Check Intermittent Incident.	GI-39	
ACC warning does not operate	1. Check push-button ignition switch position indicator.	SEC-65	
	2. Check warning chime function.	DLK-121	
	3. Check combination meter display function.	DLK-120	
	4. Check Intermittent Incident.	GI-39	

WARNING FUNCTION SYMPTOMS

< SYMPTOM DIAGNOSIS >

Symptom	Diagnosis/service procedure		Reference page	
Take away warning does not operate.	Door open to close	1. Check door switch.	DLK-68	
		2. Check inside key antenna.	Console	DLK-60
			Trunk room	DLK-63
		3. Check Intelligent Key warning buzzer.		DLK-106
		4. Check warning chime function.		DLK-121
		5. Check key slot illumination.		DLK-116
		6. Check combination meter display function.		DLK-120
	7. Check Intermittent Incident.		GI-39	
	Push-button ignition switch operation	1. Check push-button ignition switch position indicator.		SEC-90
		2. Check inside key antenna.	Console	DLK-60
			Trunk room	DLK-63
		3. Check warning chime function.		DLK-121
		4. Check key slot illumination.		DLK-116
		5. Check combination meter display function.		DLK-120
	6. Check Intermittent Incident.		GI-39	
	Door is open	1. Check push-button ignition switch position indicator.		SEC-90
		2. Check inside key antenna.	Console	DLK-60
			Trunk room	DLK-63
		3. Check combination meter display function.		DLK-120
	4. Check Intermittent Incident.		GI-39	
	Take away through window	1. Check "TAKE OUT FROM WIN WARN" setting in "WORK SUPPORT".		DLK-53
2. Check inside key antenna.		Console	DLK-60	
		Trunk room	DLK-63	
3. Check warning chime function.			DLK-121	
4. Check key slot illumination.			DLK-116	
5. Check combination meter display function.			DLK-120	
6. Check Intermittent Incident.		GI-39		
Key warning chime does not operate.	1. Check key slot.		DLK-76	
	2. Check door switch.		DLK-68	
	3. Check warning chime function.		DLK-121	
	4. Check key slot illumination.		DLK-116	
	5. Check combination meter display function.		DLK-120	
	6. Check Intermittent Incident.		GI-39	
Door lock operation warning chime does not operate.	1. Check door switch.		DLK-68	
	2. Check key slot illumination.		DLK-116	
	3. Check Intelligent Key warning buzzer.		DLK-106	
	4. Check inside key antenna.	Console	DLK-60	
		Trunk room	DLK-63	
5. Check Intermittent Incident.		GI-39		

A
B
C
D
E
F
G
H
I
J
L
M
N
O
P

DLK

KEY REMINDER FUNCTION SYMPTOMS

< SYMPTOM DIAGNOSIS >

KEY REMINDER FUNCTION SYMPTOMS

Symptom Table

INFOID:000000005461306

KEY REMINDER FUNCTION MALFUNCTION

NOTE:

- Before performing the diagnosis in the following table, check “Work flow”. Refer to [DLK-6, "Work Flow"](#).
- If the following symptoms are detected, check systems shown in the “Diagnosis/service procedure” column in this order.

Conditions of Vehicle (Operating Conditions)

- “LOCK/UNLOCK BY I-KEY” is ON when setting on CONSULT-III.
- “ANSWER BACK FUNCTION” is ON when setting on CONSULT-III.
- Ignition switch is in OFF position.
- All doors are closed.
- Intelligent Key is out of key slot.

Symptom	Diagnosis/service procedure	Reference page
Key reminder function does not operate.	1. Check “ANTI KEY LOCK IN FUNCTI” setting in “WORK SUPPORT”.	DLK-76
	2. Check door switch.	DLK-68
	3. Check inside key antenna.	DLK-121
	4. Check unlock sensor.	DLK-116
	5. Check Intelligent Key battery inspection.	DLK-115
	6. Check Intermittent Incident.	GI-39

HAZARD FUNCTION

< SYMPTOM DIAGNOSIS >

HAZARD FUNCTION

Symptom Table

INFOID:000000005461307

HAZARD AND BUZZER REMINDER FUNCTION MALFUNCTION

NOTE:

- Before performing the diagnosis in the following table, check “Work flow”. Refer to [DLK-6, "Work Flow"](#).
- If the following symptoms are detected, check systems shown in the “Diagnosis/service procedure” column in this order.

Conditions of Vehicle (Operating Conditions)

- “LOCK/UNLOCK BY I-KEY” is ON when setting on CONSULT-III.
- “ANSWER BACK FUNCTION” is ON when setting on CONSULT-III.
- Ignition switch is in OFF position.
- All doors are closed.
- Intelligent Key is out of key slot.

Symptom	Diagnosis/service procedure	Reference page
Hazard reminder does not operate by request switch. (Buzzer reminder operate.)	1. Check “HAZARD ANSWER BACK” setting in “WORK SUPPORT”.	DLK-53
	2. Check hazard function.	DLK-122
	3. Check Intermittent incident.	GI-39
Hazard reminder does not operate by Intelligent Key. (Buzzer reminder operate.)	1. Check “HAZARD ANSWER BACK” setting in “WORK SUPPORT”.	DLK-53
	2. Check hazard function.	DLK-122
	3. Check Intelligent Key battery inspection.	DLK-115
Buzzer reminder does not operate by request switch. (Hazard reminder operate.)	1. Check “ANS BACK I-KEY LOCK” or “ANS BACK I-KEY UNLOCK” setting in “WORK SUPPORT”.	DLK-53
	2. Check Intelligent Key warning buzzer.	DLK-106
	3. Check Intermittent incident.	GI-39
Buzzer reminder does not operate by trunk opener request switch.	1. Check “TRUNK OPEN DELAY” setting in “WORK SUPPORT”.	DLK-53
	2. Check Intelligent Key warning buzzer.	DLK-106
	3. Check trunk open function.	DLK-29
	4. Check Intermittent incident.	GI-39

A
B
C
D
E
F
G
H
I
J
L
M
N
O
P

DLK

HORN FUNCTION

< SYMPTOM DIAGNOSIS >

HORN FUNCTION

Symptom Table

INFOID:000000005461308

HAZARD AND HORN REMINDER FUNCTION MALFUNCTION

NOTE:

- Before performing the diagnosis in the following table, check “Work flow”. Refer to [DLK-6, "Work Flow"](#).
- If the following symptoms are detected, check systems shown in the “Diagnosis/service procedure” column in this order.

Conditions of Vehicle (Operating Conditions)

- “ANSWER BACK FUNCTION” is ON when setting on CONSULT-III.
- Ignition switch is in OFF position.
- All doors are closed.

Symptom	Diagnosis/service procedure	Reference page
Hazard reminder does not operate by request switch. (Horn reminder operate.)	1. Check “HAZARD ANSWER BACK” setting in “WORK SUPPORT”.	DLK-53
	2. Check hazard function.	DLK-122
	3. Check Intermittent Incident.	GI-39
Hazard reminder does not operate by Intelligent Key. (Horn reminder operate.)	1. Check “HAZARD ANSWER BACK” setting in “WORK SUPPORT”.	DLK-53
	2. Check hazard function.	DLK-122
	3. Check Intelligent Key battery inspection.	DLK-115
Horn reminder does not operate by request switch. (Hazard reminder operate.)	1. Check “ANSWER BACK WITH I-KEY LOCK” or “ANSWER BACK WITH I-KEY UNLOCK” setting in “WORK SUPPORT”.	DLK-53
	2. Check Intelligent Key warning buzzer.	DLK-106
	3. Check Intermittent Incident.	GI-39
Horn reminder does not operate by Intelligent Key. (Hazard reminder operate.)	1. Check “HORN WITH KEYLESS LOCK” setting in “WORK SUPPORT”.	DLK-53
	2. Check horn function.	DLK-118
	3. Check Intermittent Incident.	GI-39

INTEGRATED HOMELINK TRANSMITTER

< SYMPTOM DIAGNOSIS >

INTEGRATED HOMELINK TRANSMITTER

Symptom Table

INFOID:000000005461309

HOMELINK UNIVERSAL TRANSCEIVER MALFUNCTION

Symptom	Diagnosis/service procedure	Reference page
Homelink universal transceiver does not operate properly.	1. Check homelink universal transceiver function.	DLK-125
	2. Check Intermittent Incident.	GI-39

A
B
C
D
E
F
G
H
I
J
L
M
N
O
P

DLK

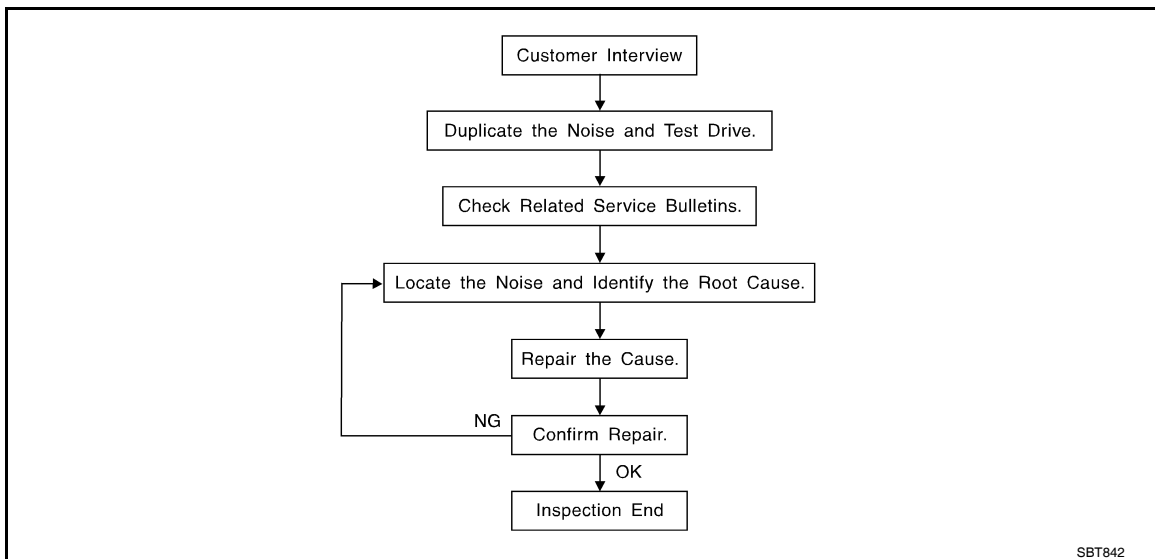
SQUEAK AND RATTLE TROUBLE DIAGNOSES

< SYMPTOM DIAGNOSIS >

SQUEAK AND RATTLE TROUBLE DIAGNOSES

Work Flow

INFOID:000000005461310



CUSTOMER INTERVIEW

Interview the customer if possible, to determine the conditions that exist when the noise occurs. Use the Diagnostic Worksheet during the interview to document the facts and conditions when the noise occurs and any customer's comments; refer to [DLK-202, "Diagnostic Worksheet"](#). This information is necessary to duplicate the conditions that exist when the noise occurs.

- The customer may not be able to provide a detailed description or the location of the noise. Attempt to obtain all the facts and conditions that exist when the noise occurs (or does not occur).
- If there is more than one noise in the vehicle, be sure to diagnose and repair the noise that the customer is concerned about. This can be accomplished by test driving the vehicle with the customer.
- After identifying the type of noise, isolate the noise in terms of its characteristics. The noise characteristics are provided so the customer, service adviser and technician are all speaking the same language when defining the noise.
- Squeak —(Like tennis shoes on a clean floor)
Squeak characteristics include the light contact/fast movement/brought on by road conditions/hard surfaces=higher pitch noise/softer surfaces=lower pitch noises/edge to surface=chirping
- Creak—(Like walking on an old wooden floor)
Creak characteristics include firm contact/slow movement/twisting with a rotational movement/pitch dependent on materials/often brought on by activity.
- Rattle—(Like shaking a baby rattle)
Rattle characteristics include the fast repeated contact/vibration or similar movement/loose parts/missing clip or fastener/incorrect clearance.
- Knock —(Like a knock on a door)
Knock characteristics include hollow sounding/sometimes repeating/often brought on by driver action.
- Tick—(Like a clock second hand)
Tick characteristics include gentle contacting of light materials/loose components/can be caused by driver action or road conditions.
- Thump—(Heavy, muffled knock noise)
Thump characteristics include softer knock/dead sound often brought on by activity.
- Buzz—(Like a bumble bee)
Buzz characteristics include high frequency rattle/firm contact.
- Often the degree of acceptable noise level will vary depending upon the person. A noise that you may judge as acceptable may be very irritating to the customer.
- Weather conditions, especially humidity and temperature, may have a great effect on noise level.

DUPLICATE THE NOISE AND TEST DRIVE

If possible, drive the vehicle with the customer until the noise is duplicated. Note any additional information on the Diagnostic Worksheet regarding the conditions or location of the noise. This information can be used to duplicate the same conditions when you confirm the repair.

SQUEAK AND RATTLE TROUBLE DIAGNOSES

< SYMPTOM DIAGNOSIS >

If the noise can be duplicated easily during the test drive, to help identify the source of the noise, try to duplicate the noise with the vehicle stopped by doing one or all of the following:

- 1) Close a door.
 - 2) Tap or push/pull around the area where the noise appears to be coming from.
 - 3) Rev the engine.
 - 4) Use a floor jack to recreate vehicle "twist".
 - 5) At idle, apply engine load (electrical load, half-clutch on M/T model, drive position on A/T model).
 - 6) Raise the vehicle on a hoist and hit a tire with a rubber hammer.
- Drive the vehicle and attempt to duplicate the conditions the customer states exist when the noise occurs.
 - If it is difficult to duplicate the noise, drive the vehicle slowly on an undulating or rough road to stress the vehicle body.

CHECK RELATED SERVICE BULLETINS

After verifying the customer concern or symptom, check ASIST for Technical Service Bulletins (TSBs) related to that concern or symptom.

If a TSB relates to the symptom, follow the procedure to repair the noise.

LOCATE THE NOISE AND IDENTIFY THE ROOT CAUSE

1. Narrow down the noise to a general area. To help pinpoint the source of the noise, use a listening tool (Chassis Ear: J-39570, Engine Ear and mechanics stethoscope).
2. Narrow down the noise to a more specific area and identify the cause of the noise by:
 - removing the components in the area that you suspect the noise is coming from.
Do not use too much force when removing clips and fasteners, otherwise clips and fastener can be broken or lost during the repair, resulting in the creation of new noise.
 - tapping or pushing/pulling the component that you suspect is causing the noise.
Do not tap or push/pull the component with excessive force, otherwise the noise will be eliminated only temporarily.
 - feeling for a vibration with your hand by touching the component(s) that you suspect is (are) causing the noise.
 - placing a piece of paper between components that you suspect are causing the noise.
 - looking for loose components and contact marks.
Refer to [DLK-200. "Inspection Procedure"](#).

REPAIR THE CAUSE

- If the cause is a loose component, tighten the component securely.
- If the cause is insufficient clearance between components:
 - separate components by repositioning or loosening and retightening the component, if possible.
 - insulate components with a suitable insulator such as urethane pads, foam blocks, felt cloth tape or urethane tape. A Nissan Squeak and Rattle Kit (J-43980) is available through your authorized Nissan Parts Department.

CAUTION:

Do not use excessive force as many components are constructed of plastic and may be damaged.

NOTE:

Always check with the Parts Department for the latest parts information.

The following materials are contained in the Nissan Squeak and Rattle Kit (J-43980). Each item can be ordered separately as needed.

URETHANE PADS [1.5 mm (0.059 in) thick]

Insulates connectors, harness, etc.

76268-9E005: 100 × 135 mm (3.94 × 5.31 in)/76884-71L01: 60 × 85 mm (2.36 × 3.35 in)/76884-71L02: 15 × 25 mm (0.59 × 0.98 in)

INSULATOR (Foam blocks)

Insulates components from contact. Can be used to fill space behind a panel.

73982-9E000: 45 mm (1.77 in) thick, 50 × 50 mm (1.97 × 1.97 in)/73982-

50Y00: 10 mm (0.39 in) thick, 50 × 50 mm (1.97 × 1.97 in)

INSULATOR (Light foam block)

80845-71L00: 30 mm (1.18 in) thick, 30 × 50 mm (1.18 × 1.97 in)

FELT CLOTHTAPE

Used to insulate where movement does not occur. Ideal for instrument panel applications.

68370-4B000: 15 × 25 mm (0.59 × 0.98 in) pad/68239-13E00: 5 mm (0.20 in) wide tape roll

The following materials, not found in the kit, can also be used to repair squeaks and rattles.

UHMW (TEFLON) TAPE

SQUEAK AND RATTLE TROUBLE DIAGNOSES

< SYMPTOM DIAGNOSIS >

Insulates where slight movement is present. Ideal for instrument panel applications.

SILICONE GREASE

Used in place of UHMW tape that will be visible or not fit. Will only last a few months.

SILICONE SPRAY

Use when grease cannot be applied.

DUCT TAPE

Use to eliminate movement.

CONFIRM THE REPAIR

Confirm that the cause of a noise is repaired by test driving the vehicle. Operate the vehicle under the same conditions as when the noise originally occurred. Refer to the notes on the Diagnostic Worksheet.

Inspection Procedure

INFOID:000000005461311

Refer to Table of Contents for specific component removal and installation information.

INSTRUMENT PANEL

Most incidents are caused by contact and movement between:

1. The cluster lid A and instrument panel
2. Acrylic lens and combination meter housing
3. Instrument panel to front pillar garnish
4. Instrument panel to windshield
5. Instrument panel mounting pins
6. Wiring harnesses behind the combination meter
7. A/C defroster duct and duct joint

These incidents can usually be located by tapping or moving the components to duplicate the noise or by pressing on the components while driving to stop the noise. Most of these incidents can be repaired by applying felt cloth tape or silicon spray (in hard to reach areas). Urethane pads can be used to insulate wiring harness.

CAUTION:

Do not use silicone spray to isolate a squeak or rattle. If you saturate the area with silicone, you will not be able to recheck the repair.

CENTER CONSOLE

Components to pay attention to include:

1. Shifter assembly cover to finisher
2. A/C control unit and cluster lid C
3. Wiring harnesses behind audio and A/C control unit

The instrument panel repair and isolation procedures also apply to the center console.

DOORS

Pay attention to the:

1. Finisher and inner panel making a slapping noise
2. Inside handle escutcheon to door finisher
3. Wiring harnesses tapping
4. Door striker out of alignment causing a popping noise on starts and stops

Tapping or moving the components or pressing on them while driving to duplicate the conditions can isolate many of these incidents. You can usually insulate the areas with felt cloth tape or insulator foam blocks from the Nissan Squeak and Rattle Kit (J-43980) to repair the noise.

TRUNK

Trunk noises are often caused by a loose jack or loose items put into the trunk by the owner.

In addition look for:

1. Trunk lid bumpers out of adjustment
2. Trunk lid striker out of adjustment
3. The trunk lid torsion bars knocking together
4. A loose license plate or bracket

SQUEAK AND RATTLE TROUBLE DIAGNOSES

< SYMPTOM DIAGNOSIS >

Most of these incidents can be repaired by adjusting, securing or insulating the item(s) or component(s) causing the noise.

SUNROOF/HEADLINING

Noises in the sunroof/headlining area can often be traced to one of the following:

1. Sunroof lid, rail, linkage or seals making a rattle or light knocking noise
2. Sunvisor shaft shaking in the holder
3. Front or rear windshield touching headlining and squeaking

Again, pressing on the components to stop the noise while duplicating the conditions can isolate most of these incidents. Repairs usually consist of insulating with felt cloth tape.

SEATS

When isolating seat noise it's important to note the position the seat is in and the load placed on the seat when the noise is present. These conditions should be duplicated when verifying and isolating the cause of the noise.

Cause of seat noise include:

1. Headrest rods and holder
2. A squeak between the seat pad cushion and frame
3. The rear seatback lock and bracket

These noises can be isolated by moving or pressing on the suspected components while duplicating the conditions under which the noise occurs. Most of these incidents can be repaired by repositioning the component or applying urethane tape to the contact area.

UNDERHOOD

Some interior noise may be caused by components under the hood or on the engine wall. The noise is then transmitted into the passenger compartment.

Causes of transmitted underhood noise include:

1. Any component mounted to the engine wall
2. Components that pass through the engine wall
3. Engine wall mounts and connectors
4. Loose radiator mounting pins
5. Hood bumpers out of adjustment
6. Hood striker out of adjustment

These noises can be difficult to isolate since they cannot be reached from the interior of the vehicle. The best method is to secure, move or insulate one component at a time and test drive the vehicle. Also, engine RPM or load can be changed to isolate the noise. Repairs can usually be made by moving, adjusting, securing, or insulating the component causing the noise.

A
B
C
D
E
F
G
H
I
J
DLK
L
M
N
O
P

SQUEAK AND RATTLE TROUBLE DIAGNOSES

< SYMPTOM DIAGNOSIS >

Diagnostic Worksheet

INFOID:000000005461312

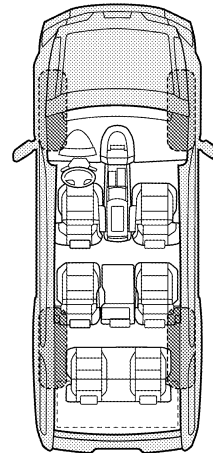
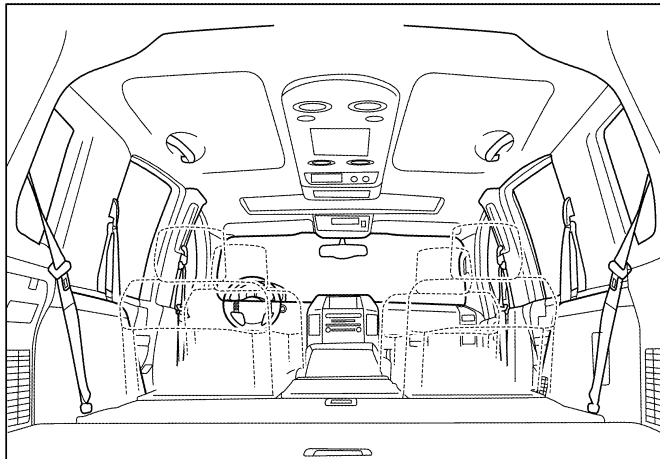
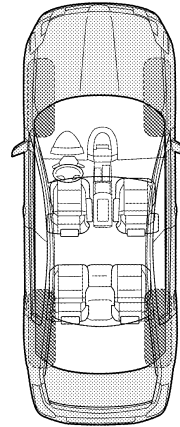
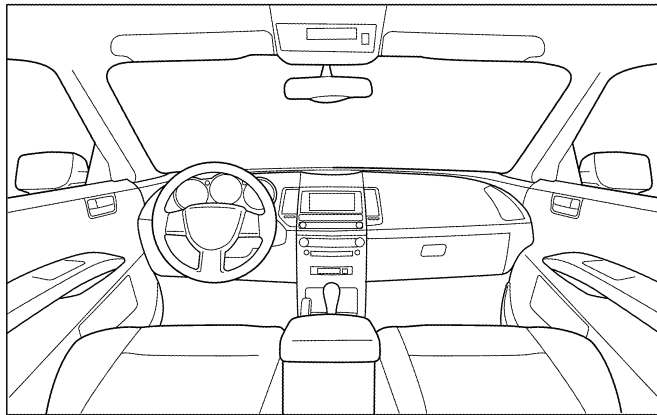
Dear Customer:

We are concerned about your satisfaction with your vehicle. Repairing a squeak or rattle sometimes can be very difficult. To help us fix your vehicle right the first time, please take a moment to note the area of the vehicle where the squeak or rattle occurs and under what conditions. You may be asked to take a test drive with a service advisor or technician to ensure we confirm the noise you are hearing.

SQUEAK & RATTLE DIAGNOSTIC WORKSHEET

I. WHERE DOES THE NOISE COME FROM? (circle the area of the vehicle)

The illustrations are for reference only, and may not reflect the actual configuration of your vehicle.



Continue to page 2 of the worksheet and briefly describe the location of the noise or rattle. In addition, please indicate the conditions which are present when the noise occurs.

SQUEAK AND RATTLE TROUBLE DIAGNOSES

< SYMPTOM DIAGNOSIS >

SQUEAK & RATTLE DIAGNOSTIC WORKSHEET - page 2

Briefly describe the location where the noise occurs:

II. WHEN DOES IT OCCUR? (please check the boxes that apply)

- | | |
|---|--|
| <input type="checkbox"/> Anytime | <input type="checkbox"/> After sitting out in the rain |
| <input type="checkbox"/> 1st time in the morning | <input type="checkbox"/> When it is raining or wet |
| <input type="checkbox"/> Only when it is cold outside | <input type="checkbox"/> Dry or dusty conditions |
| <input type="checkbox"/> Only when it is hot outside | <input type="checkbox"/> Other: |

III. WHEN DRIVING:

- Through driveways
- Over rough roads
- Over speed bumps
- Only about ____ mph
- On acceleration
- Coming to a stop
- On turns: left, right or either (circle)
- With passengers or cargo
- Other: _____
- After driving ____ miles or ____ minutes

IV. WHAT TYPE OF NOISE

- Squeak (like tennis shoes on a clean floor)
- Creak (like walking on an old wooden floor)
- Rattle (like shaking a baby rattle)
- Knock (like a knock at the door)
- Tick (like a clock second hand)
- Thump (heavy muffled knock noise)
- Buzz (like a bumble bee)

TO BE COMPLETED BY DEALERSHIP PERSONNEL

Test Drive Notes:

	YES	NO	Initials of person performing
Vehicle test driven with customer	<input type="checkbox"/>	<input type="checkbox"/>	_____
- Noise verified on test drive	<input type="checkbox"/>	<input type="checkbox"/>	_____
- Noise source located and repaired	<input type="checkbox"/>	<input type="checkbox"/>	_____
- Follow up test drive performed to confirm repair	<input type="checkbox"/>	<input type="checkbox"/>	_____

VIN: _____ Customer Name _____

W.O.# _____ Date: _____

This form must be attached to Work Order

LAI A0071E

A
B
C
D
E
F
G
H
I
J
L
M
N
O
P

DLK

PRECAUTIONS

< PRECAUTION >

PRECAUTION

PRECAUTIONS

Precaution for Supplemental Restraint System (SRS) "AIR BAG" and "SEAT BELT PRE-TENSIONER"

INFOID:000000005461313

The Supplemental Restraint System such as "AIR BAG" and "SEAT BELT PRE-TENSIONER", used along with a front seat belt, helps to reduce the risk or severity of injury to the driver and front passenger for certain types of collision. This system includes seat belt switch inputs and dual stage front air bag modules. The SRS system uses the seat belt switches to determine the front air bag deployment, and may only deploy one front air bag, depending on the severity of a collision and whether the front occupants are belted or unbelted. Information necessary to service the system safely is included in the SR and SB section of this Service Manual.

WARNING:

- To avoid rendering the SRS inoperative, which could increase the risk of personal injury or death in the event of a collision which would result in air bag inflation, all maintenance must be performed by an authorized NISSAN/INFINITI dealer.
- Improper maintenance, including incorrect removal and installation of the SRS, can lead to personal injury caused by unintentional activation of the system. For removal of Spiral Cable and Air Bag Module, see the SR section.
- Do not use electrical test equipment on any circuit related to the SRS unless instructed to in this Service Manual. SRS wiring harnesses can be identified by yellow and/or orange harnesses or harness connectors.

PRECAUTIONS WHEN USING POWER TOOLS (AIR OR ELECTRIC) AND HAMMERS

WARNING:

- When working near the Airbag Diagnosis Sensor Unit or other Airbag System sensors with the Ignition ON or engine running, DO NOT use air or electric power tools or strike near the sensor(s) with a hammer. Heavy vibration could activate the sensor(s) and deploy the air bag(s), possibly causing serious injury.
- When using air or electric power tools or hammers, always switch the Ignition OFF, disconnect the battery, and wait at least 3 minutes before performing any service.

Precautions Necessary for Steering Wheel Rotation after Battery Disconnect (Early Production, With Electronic Steering Column Lock)

INFOID:000000005885933

NOTE:

- Before removing and installing any control units, first turn the push-button ignition switch to the LOCK position, then disconnect both battery cables.
- After finishing work, confirm that all control unit connectors are connected properly, then re-connect both battery cables.
- Always use CONSULT-III to perform self-diagnosis as a part of each function inspection after finishing work. If a DTC is detected, perform trouble diagnosis according to self-diagnosis results.

This vehicle is equipped with a push-button ignition switch and a steering lock unit.

If the battery is disconnected or discharged, the steering wheel will lock and cannot be turned.

If turning the steering wheel is required with the battery disconnected or discharged, follow the procedure below before starting the repair operation.

OPERATION PROCEDURE

1. Connect both battery cables.

NOTE:

Supply power using jumper cables if battery is discharged.

2. Carry the Intelligent Key or insert it to the key slot and turn the push-button ignition switch to ACC position. (At this time, the steering lock will be released.)
3. Disconnect both battery cables. The steering lock will remain released with both battery cables disconnected and the steering wheel can be turned.
4. Perform the necessary repair operation.

PRECAUTIONS

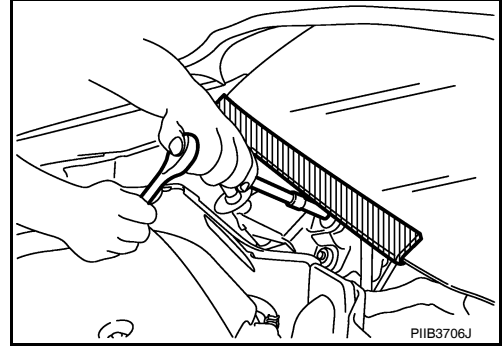
< PRECAUTION >

5. When the repair work is completed, re-connect both battery cables. With the brake pedal released, turn the push-button ignition switch from ACC position to ON position, then to LOCK position. (The steering wheel will lock when the push-button ignition switch is turned to LOCK position.)
6. Perform self-diagnosis check of all control units using CONSULT-III.

Procedure without Cowl Top Cover

INFOID:000000005461315

When performing the procedure after removing cowl top cover, cover the lower end of windshield with urethane, etc.



Precaution for work

INFOID:000000005461316

- After removing and installing the opening/closing parts, be sure to carry out fitting adjustments to check their operation.
- Check the lubrication level, damage, and wear of each part. If necessary, grease or replace it.

A
B
C
D
E
F
G
H
I
J
L
M
N
O
P

DLK

PREPARATION

< PREPARATION >

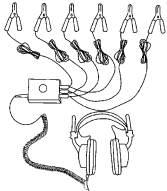
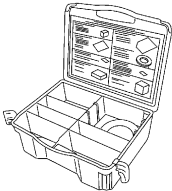
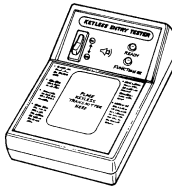
PREPARATION

PREPARATION

Special Service Tools

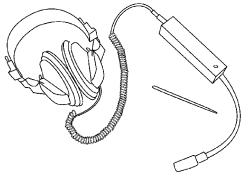

INFOID:000000005461317

The actual shapes of Kent-Moore tools may differ from those of special service tools illustrated here.

Tool number (Kent-Moore No.) Tool name	Description
<p>— (J-39570) Chassis ear</p>  <p style="text-align: right;">SIA0993E</p>	<p>Locating the noise</p>
<p>— (J-43980) NISSAN Squeak and Rattle Kit</p>  <p style="text-align: right;">SIA0994E</p>	<p>Repairing the cause of noise</p>
<p>— (J-43241) Remote Keyless Entry Tester</p>  <p style="text-align: right;">LEL946A</p>	<p>Used to test keyfobs</p>

Commercial Service Tools

INFOID:000000005461318

Tool name	Description
<p>Engine ear</p>  <p style="text-align: right;">SIA0995E</p>	<p>Locating the noise</p>
<p>Power tool</p>  <p style="text-align: right;">PIIB1407E</p>	

HOOD

< ON-VEHICLE REPAIR >

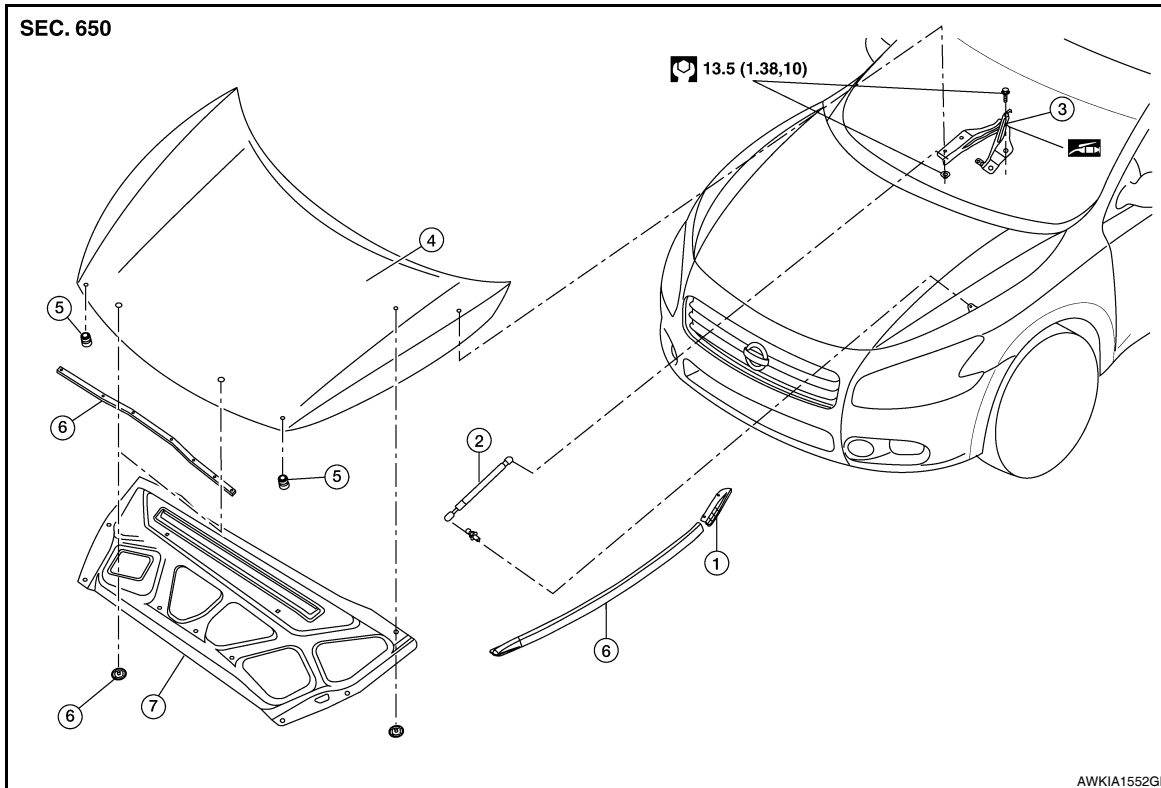
ON-VEHICLE REPAIR

HOOD

HOOD ASSEMBLY

HOOD ASSEMBLY : Exploded View

INFOID:000000005461319



- | | | |
|---------------------|-----------------------|---------------|
| 1. Hood hinge cover | 2. Hood stay | 3. Hood hinge |
| 4. Hood assembly | 5. Hood bumper rubber | 6. Seal |
| 7. Hood insulator | | |

HOOD ASSEMBLY : Removal and Installation

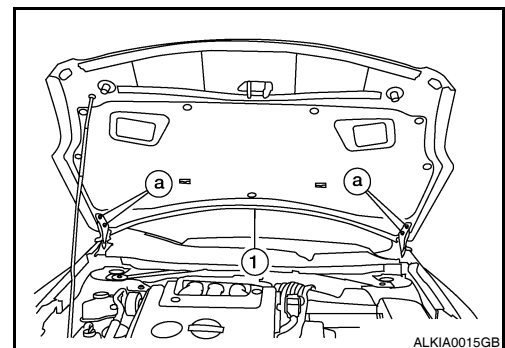
INFOID:000000005461320

REMOVAL

1. Remove the hinge nuts (a) and the hood assembly (1).

CAUTION:

Operate with two workers, because of its large size.



INSTALLATION

Installation is in the reverse order of removal.

NOTE:

After installing, perform hood fitting adjustment. Refer to [DLK-208, "HOOD ASSEMBLY : Adjustment"](#).

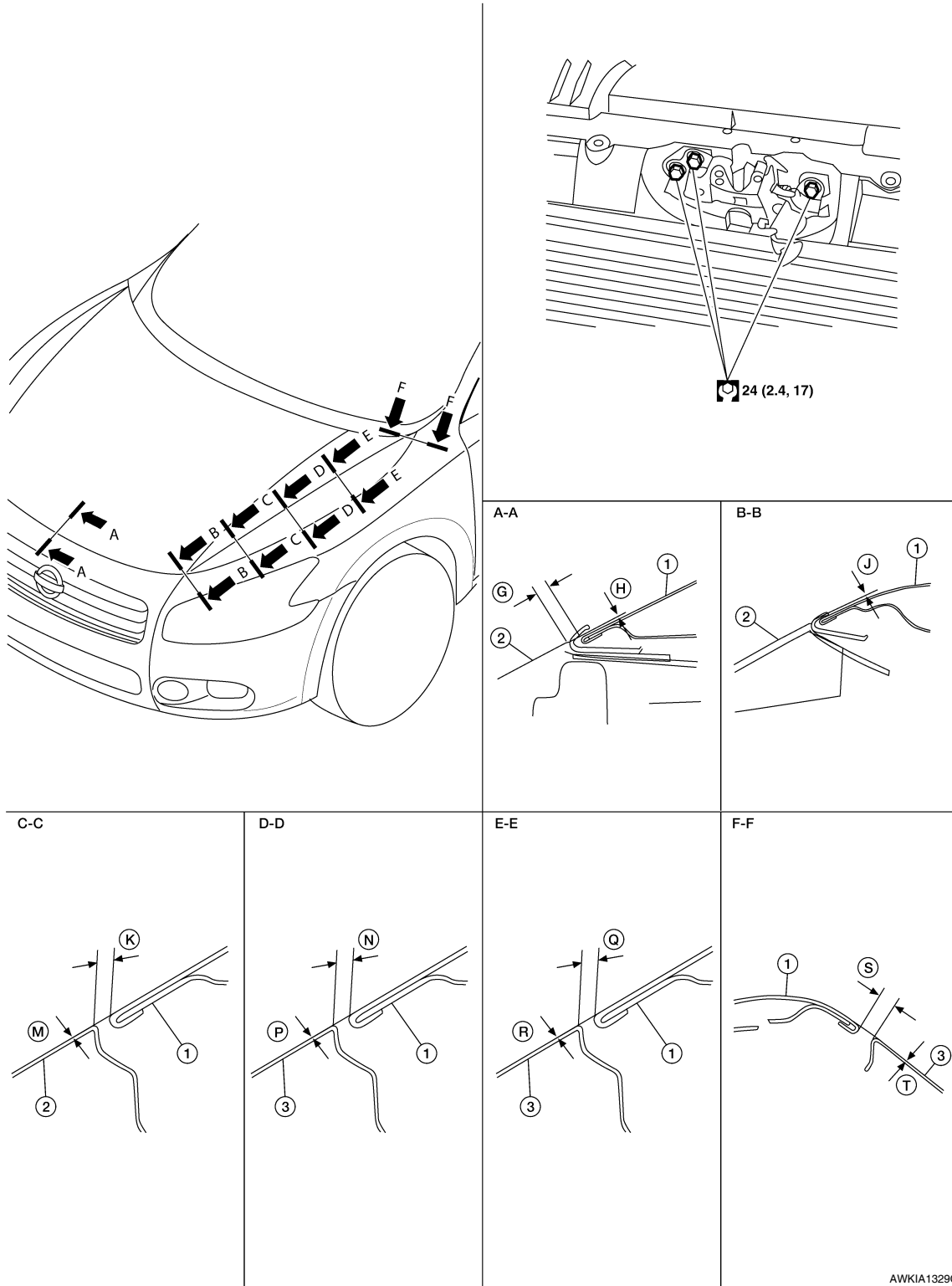
HOOD

< ON-VEHICLE REPAIR >

HOOD ASSEMBLY : Adjustment

INFOID:000000005461321

SEC. 650



1. Hood assembly

2. Front fascia

3. Front fender

FRONT END HEIGHT ADJUSTMENT AND LATERAL/LONGITUDUNAL CLEARANCE ADJUSTMENT

AWKIA1329GB

HOOD

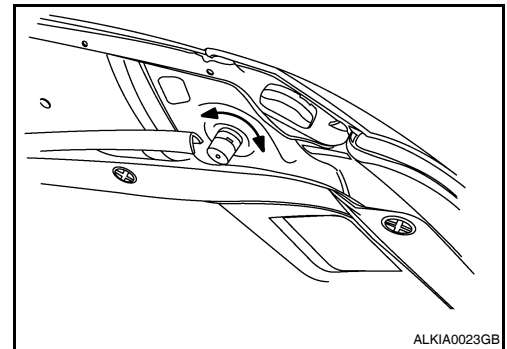
< ON-VEHICLE REPAIR >

Unit: mm (in)

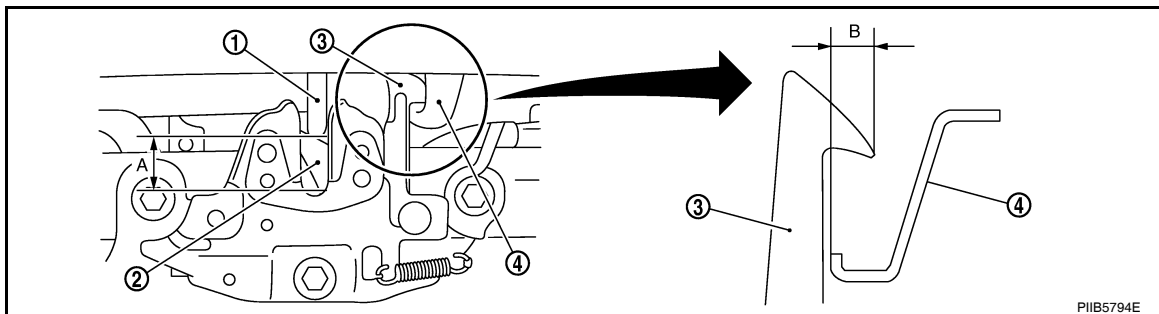
Section	Item	Measurement	Standard	Parallelism	Equality
A - A	G	Clearance	4.1 ± 2.0 (0.16 \pm 0.08)	≤ 2.0 (0.08)	—
	H	Surface height	-1.0 ± 1.6 (-0.04 \pm 0.06)	≤ 2.0 (0.08)	—
B - B	J	Surface height	-0.63 ± 1.6 (-0.025 \pm 0.06)	≤ 2.0 (0.08)	—
C - C	K	Clearance	3.5 ± 1.0 (0.14 \pm 0.04)	≤ 1.5 (0.06)	≤ 2.0 (0.08)
	M	Surface height	-0.68 ± 1.0 (-0.027 \pm 0.04)	≤ 1.5 (0.06)	≤ 2.0 (0.08)
D - D	N	Clearance	3.5 ± 1.0 (0.14 \pm 0.04)	≤ 1.5 (0.06)	≤ 2.0 (0.08)
	P	Surface height	-0.57 ± 1.0 (-0.022 \pm 0.04)	≤ 1.5 (0.06)	≤ 2.0 (0.08)
E - E	Q	Clearance	3.5 ± 1.0 (0.14 \pm 0.04)	≤ 1.5 (0.06)	≤ 2.0 (0.08)
	R	Surface height	-0.37 ± 1.0 (-0.015 \pm 0.04)	≤ 1.5 (0.06)	≤ 2.0 (0.08)
F - F	S	Clearance	3.5 ± 1.0 (0.14 \pm 0.04)	≤ 1.5 (0.06)	≤ 2.0 (0.08)
	T	Surface height	-0.24 ± 1.0 (-0.009 \pm 0.04)	≤ 1.5 (0.06)	≤ 2.0 (0.08)

FRONT END HEIGHT ADJUSTMENT

1. Check the surface height between the hood and each part by visual and tactile feeling.
2. Remove the core support cover clips, then remove the core support cover.
3. Remove the hood lock.
4. Adjust the surface level difference of the hood, fender and front fascia by rotating the hood bumpers until the hood becomes 1 to 1.5 mm (0.04 to 0.059 in) lower than the fender.



5. Install and align the hood lock center with the center of the hood striker. Engage the lock with the striker and check for looseness.
6. Adjust (A) and (B) shown in the figure to the specified value with hood's own weight by dropping it from approx. 200 mm (7.87 in) height or by pressing the hood closed lightly (approx. 29 N (3 kg)).



- | | | |
|--------------------|---------------------|-----------------------|
| 1. Hood striker | 2. Primary latch | 3. Secondary striker |
| 4. Secondary latch | A. :20 mm (0.79 in) | B. : 6.8 mm (0.27 in) |

7. After adjustment tighten the hood lock bolts to the specified torque.

LATERAL/LONGITUDINAL CLEARANCE ADJUSTMENT

1. Check the clearance between the hood and each part by visual and tactile feeling.
2. Loosen the hood hinge bolts.

NOTE:

HOOD

< ON-VEHICLE REPAIR >

The anticorrosive agent applied between the hoodledge and the hood hinges also acts as an adhesive. This seal must be broken before the hinges will move.

3. Move the hood so that the clearance measurements are within specifications.
4. Tighten the hood hinge bolts.

NOTE:

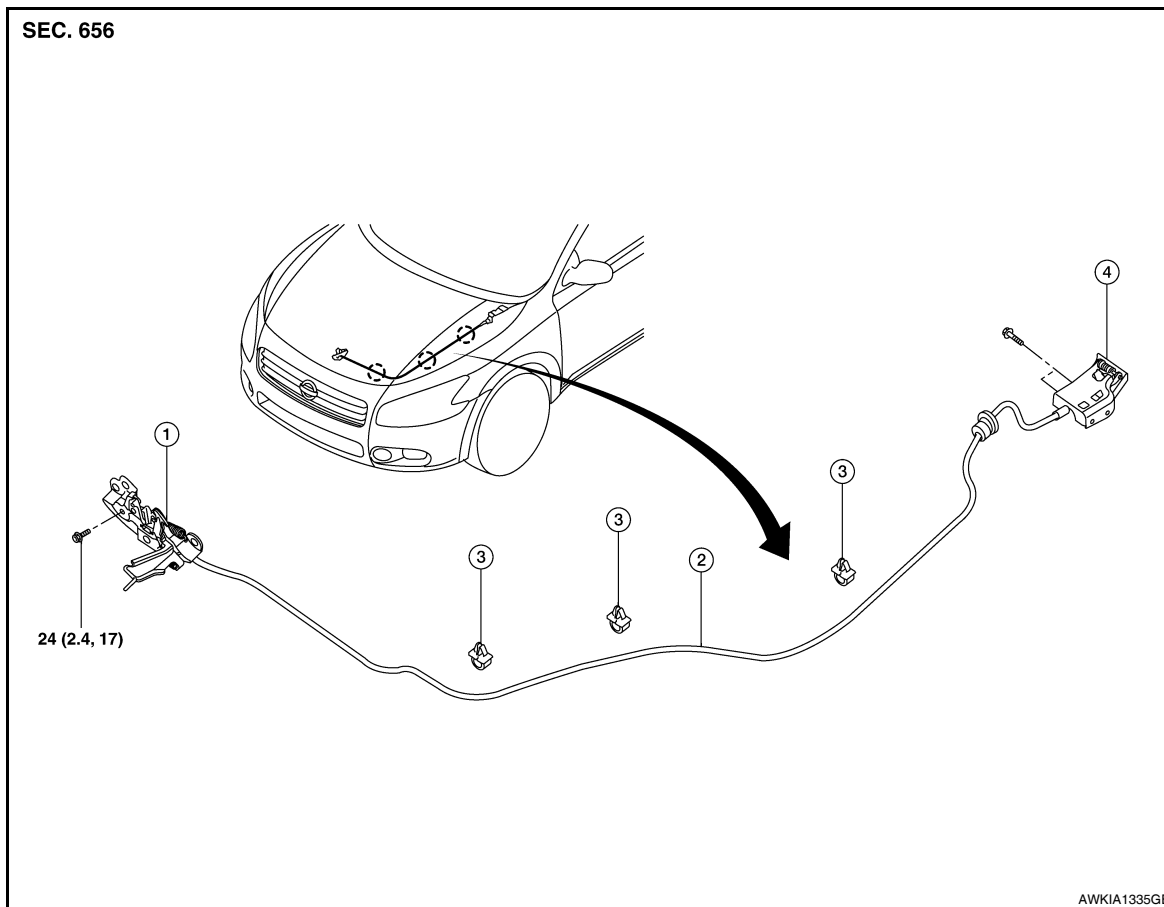
After installation apply touch-up paint onto the hinge bolts and around the base of the hinge.

5. If the clearance measurements between the hood and fender cannot be corrected by moving the hood, the fender must be adjusted. Refer to [DLK-216, "Removal and Installation"](#).

HOOD LOCK CONTROL

HOOD LOCK CONTROL : Exploded View

INFOID:000000005461322



- | | | |
|-----------------------------|--------------------|---------|
| 1. Hood lock assembly | 2. Hood lock cable | 3. Clip |
| 4. Hood lock release handle | ○ : Clip | |

HOOD LOCK CONTROL : Removal and Installation

INFOID:000000005461323

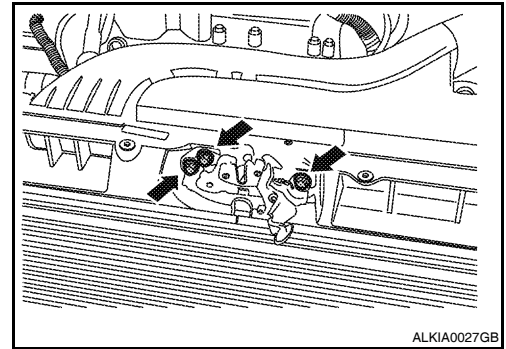
REMOVAL

1. Remove the core support cover clips, then remove the core support cover.
2. Remove the LH fender protector. Refer to [EXT-20, "Removal and Installation"](#).

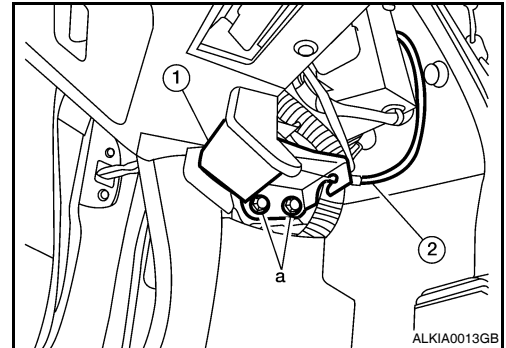
HOOD

< ON-VEHICLE REPAIR >

3. Remove the hood lock assembly bolts.



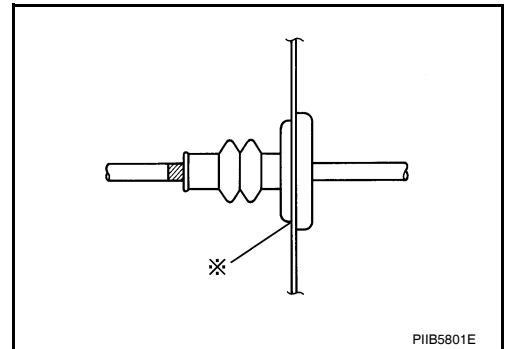
4. Disconnect the hood lock cable from the hood lock, and unclip it from the hoodledge.
5. Remove the screws (a) with power tool, and separate the hood lock release handle (1) from the hood lock release cable (2).



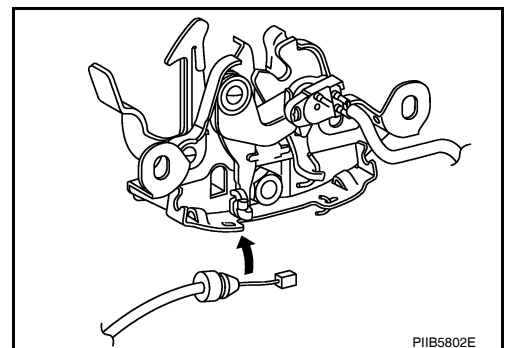
6. Remove the grommet from the upper dash, and pull the hood lock cable into the passenger compartment.
CAUTION:
While pulling, be careful not to damage (peel) the outside of the hood lock cable.

INSTALLATION

1. Pull the hood lock cable through the upper dash into the engine compartment.
CAUTION:
Be careful not to bend the cable too much, keep the radius 100 mm (3.94 in) or more.
2. Check that the cable is not offset from the center of the grommet, and seat the grommet into the upper dash hole.
3. Apply the sealant around the grommet at * mark.



4. Position the hood lock cable and clip it into place.
5. Connect the hood lock cable to the hood lock assembly.
6. Loosely install the hood lock assembly.
7. Perform hood fitting adjustment. Refer to [DLK-208, "HOOD ASSEMBLY : Adjustment"](#).
8. Check the hood lock control operation.



A
B
C
D
E
F
G
H
I
J
DLK
L
M
N
O
P

HOOD

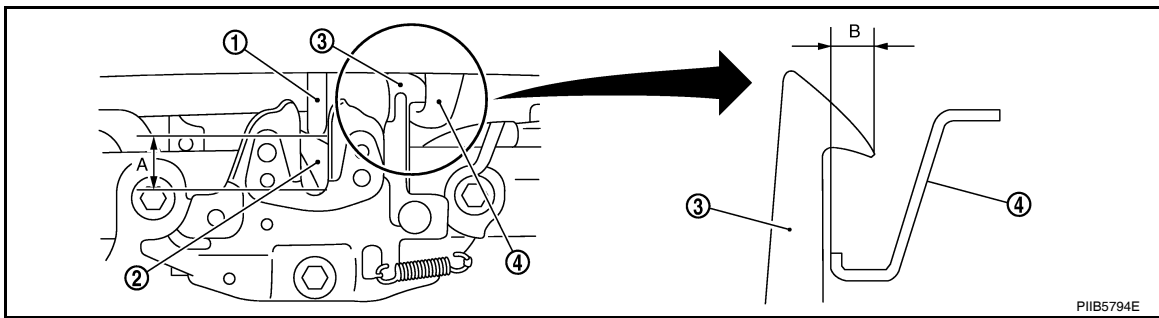
< ON-VEHICLE REPAIR >

INSPECTION

CAUTION:

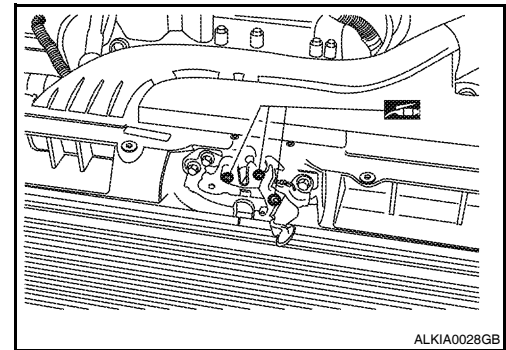
If the hood lock cable is bent or deformed, replace it.

1. Check that the secondary latch is properly engaged with the secondary striker with hood's own weight.



- | | | |
|--------------------|---------------------|----------------------|
| 1. Hood striker | 2. Primary latch | 3. Secondary striker |
| 4. Secondary latch | A. : 20mm (0.79 in) | B. 6.8 mm (0.268 in) |

2. While operating the hood opener, carefully check that the front end of the hood is raised by approx. 20 mm (0.79 in). Also check that the hood opener returns to the original position.
3. Check that the hood opener operating is 294 N (30 kg) or below.
4. Install so the static closing force of the hood is 315 – 490 N·m (32.1– 50.0 kg-m).
5. Check the hood lock lubrication condition. If necessary, apply “body grease” as shown.



HOOD LOCK CONTROL : Inspection

INFOID:000000005461324

NOTE:

If the hood lock cable is bent or deformed, replace it.

1. Check that the secondary latch is properly engaged with the hood lock stay by hood weight.
2. While operating the hood opener, carefully check that the front end of the hood is raised by approximately 20 mm (0.79 in). Also check that the hood opener returns to the original position.
3. Check that the hood opener operating is 49 N (5.0 kg) or below.
4. Install so that static closing force of the hood is 315 – 490 N·m (32.1 – 50.0 kg-m).

NOTE:

- Exercise vertical force on right side and left side of hood lock.
- Do not press simultaneously both sides.

5. Check the hood lock lubrication condition. If necessary, apply body grease to the hood lock.

HOOD STAY

HOOD

< ON-VEHICLE REPAIR >

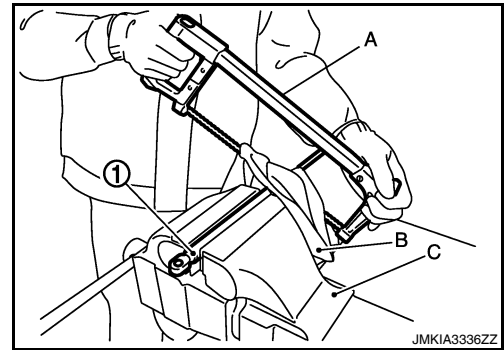
HOOD STAY : Disposal

INFOID:000000005461325

1. Fix hood stay (1) using a vise (C).
2. Using hacksaw (A) slowly make 2 holes in the hood stay, in numerical order as shown in the figure.

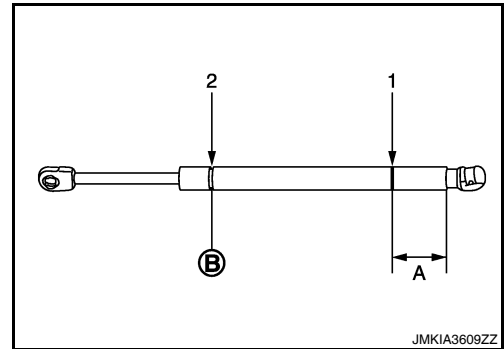
CAUTION:

- When cutting a hole on hood stay, always cover a hacksaw using a shop cloth (B) to avoid scattering metal fragments or oil.
- Wear eye protection (safety glasses).
- Wear gloves.



A: 20 mm (0.787 in)

B: Cut at the groove.



A
B
C
D
E
F
G
H
I
J
L
M
N
O
P

DLK

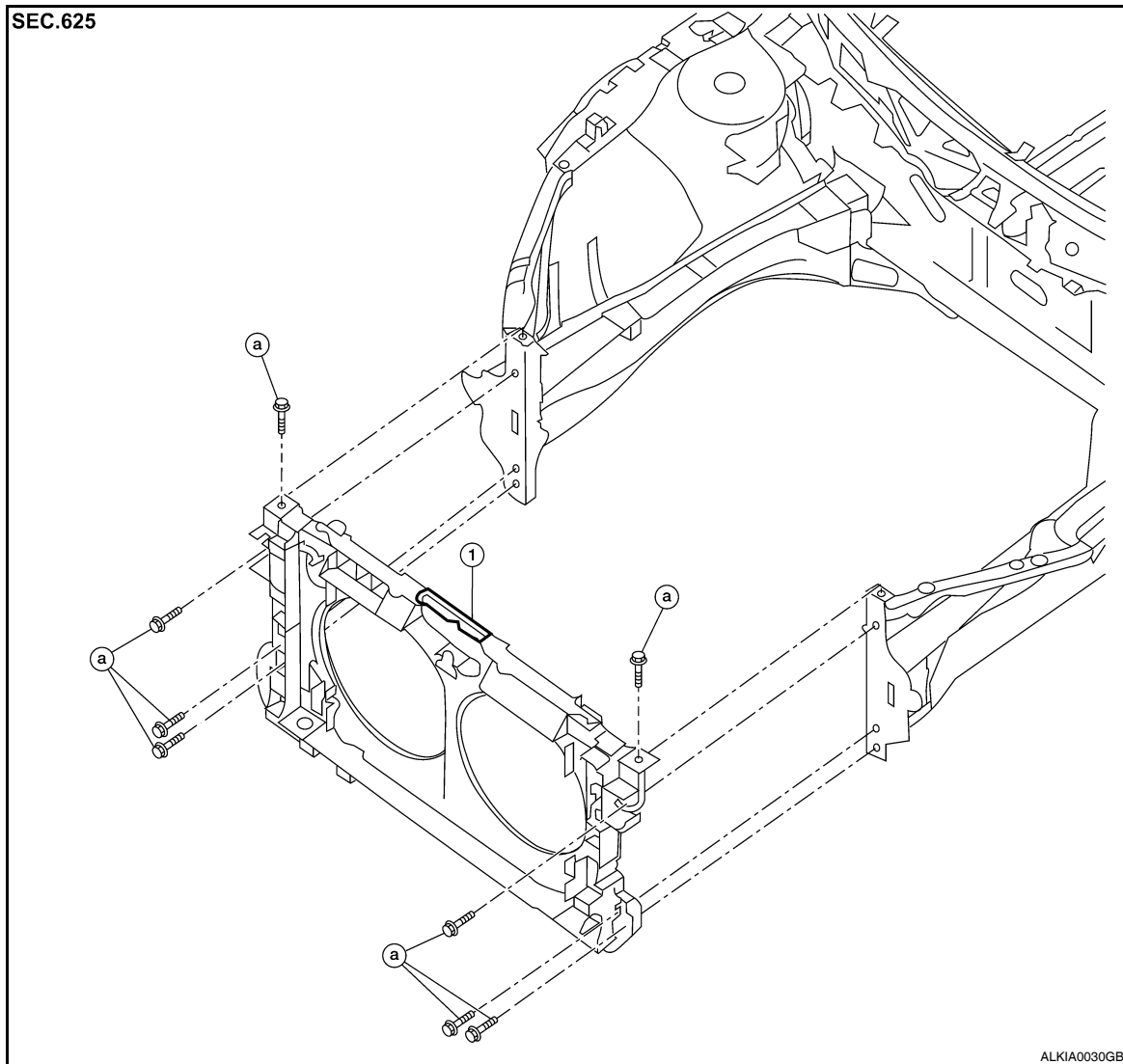
RADIATOR CORE SUPPORT

< ON-VEHICLE REPAIR >

RADIATOR CORE SUPPORT

Exploded View

INFOID:000000005461326



1. Radiator core support

a. Bolts

Removal and Installation

INFOID:000000005461327

REMOVAL

1. Remove front bumper. Refer to [EXT-14, "Removal and Installation"](#).
2. Remove head lamps (LH/RH). Refer to [EXL-165, "Removal and Installation"](#) (Xenon Type), [EXL-339, "Removal and Installation"](#) (Halogen Type).
3. Remove the radiator cooling fans. Refer to [CO-16, "Removal and Installation"](#).
4. Remove the radiator. Refer to [CO-14, "Removal and Installation"](#).
5. Remove the hood lock control. Refer to [DLK-210, "HOOD LOCK CONTROL : Removal and Installation"](#).
6. Remove ambient sensor. Refer to [HAC-127, "Removal and Installation"](#) (With Color Display), [HAC-236, "Removal and Installation"](#) (With Monochrome Display).
7. Remove crash zone sensor. Refer to [SR-14, "Removal and Installation"](#).
8. Disconnect power steering tube assembly from clips and position aside. Refer to [ST-31, "Removal and Installation"](#).

RADIATOR CORE SUPPORT

< ON-VEHICLE REPAIR >

9. Remove horn (High/Low). Refer to [HRN-8, "Removal and Installation"](#).
10. Remove the harness clips from the radiator core support assembly and position the harness aside.
11. Remove the bolts and the radiator core support.

INSTALLATION

Installation is in the reverse order of removal.

A

B

C

D

E

F

G

H

I

J

DLK

L

M

N

O

P

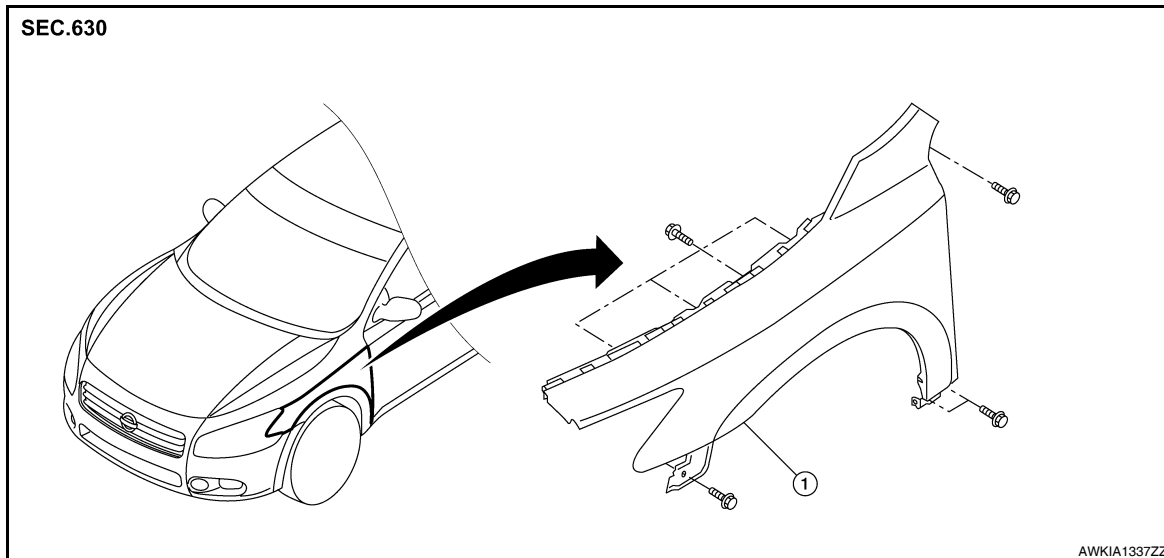
FRONT FENDER

< ON-VEHICLE REPAIR >

FRONT FENDER

Exploded View

INFOID:000000005461328



1. Front fender

Removal and Installation

INFOID:000000005461329

REMOVAL

1. Remove the head lamp. Refer to [EXL-165, "Removal and Installation"](#).
2. Remove cowl top side trim cover. [EXT-18, "Removal and Installation"](#)
3. Remove the bolts and the front fender.

CAUTION:

- While removing use a shop cloth to protect body from damaging.
- Use care when removing the front fender. The front fender baffle foam adheres the front fender to the body side outer. Carefully release the foam or damage to the fender may occur.

INSTALLATION

Installation is in the reverse order of removal.

CAUTION:

- After installing, apply touch-up paint (the body color) onto the head of the front fender bolts.

Adjustment

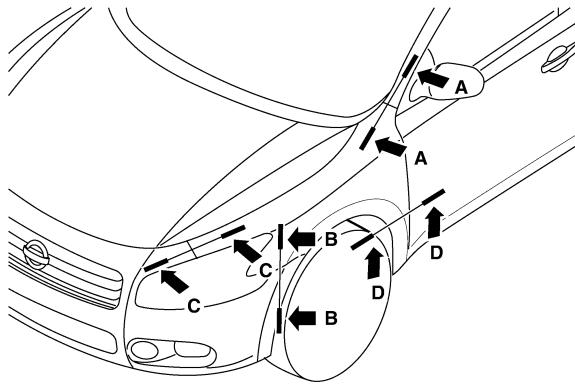
INFOID:000000005461330

ADJUSTMENT

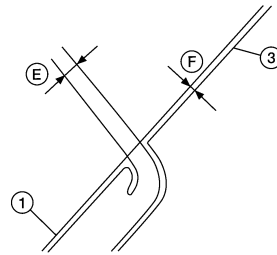
FRONT FENDER

< ON-VEHICLE REPAIR >

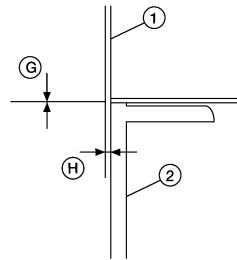
SEC. 630



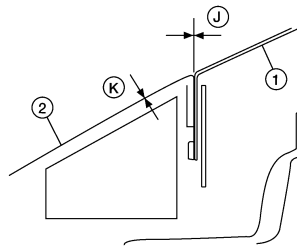
A-A



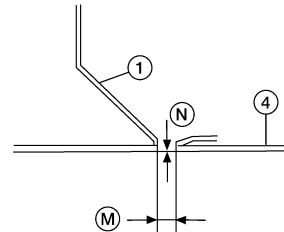
B-B



C-C



D-D



- 1. Front fender
- 2. Front fascia
- 3. Body side outer
- 4. Front door assembly

AWKIA1338ZZ

Unit: mm (in)

Section	Item	Measurement	Standard	Parallelism	Equality
A-A	E	Clearance	4.0 ± 1.0 (0.16 ± 0.04)	≤ 1.0 (0.04)	1.0 (0.04)
	F	Surface height	0.7 ± 1.0 (0.028 ± 0.04)	≤ 1.0 (0.04)	≤ 1.0 (0.04)

A
B
C
D
E
F
G
H
I
J
DLK
L
M
N
O
P

FRONT FENDER

< ON-VEHICLE REPAIR >

Section	Item	Measurement	Standard	Parallelism	Equality
B-B	G	Clearance	$1.5 \pm 1.2 (0.06 \pm 0.05)$	—	—
	H	Surface height	$0.7 \pm 1.3 (0.028 \pm 0.05)$	$\leq 2.0 (0.08)$	$\leq 2.0 (0.08)$
C-C	J	Clearance	$0.0 + 0.07 - 0.0 (0.0 + 0.028 - 0.0)$	$\leq 1.0 (0.04)$	$\leq 1.0 (0.04)$
	K	Surface height	$-0.24 \pm 1.0 (-0.01 \pm 0.04)$	$\leq 1.5 (0.06)$	$\leq 2.0 (0.08)$
D-D	M	Clearance	$4.25 \pm 1.0 (0.17 \pm 0.04)$	—	—
	N	Surface height	$0.0 \pm 1.0 (0.0 \pm 0.04)$	—	—

1. Remove the front fender protector. Refer to [EXT-20, "Removal and Installation"](#).
2. Loosen the front fender bolts and screws.
3. Adjust the clearance (M) and surface height (N) between the front fender and the front door.
4. Tighten the rear upper and lower front fender bolts.
5. Adjust the clearance (F) and surface height (E) between the front fender and the body side outer.
6. Tighten the inner front fender bolts.
7. Adjust the clearance (J) and the surface height (K) between the top of the front fender and the top of the front fascia.
8. Adjust the clearance (G) and surface height (H) between the side of the front fender and the side of the front fascia.
9. Tighten the front fender to front fascia and bracket screws.
10. Apply touch-up paint (the body color) onto the head of the front fender bolts.
11. Install the front fender protector. Refer to [EXT-20, "Removal and Installation"](#).
12. Install the inner fender bolt cover.

DOOR

< ON-VEHICLE REPAIR >

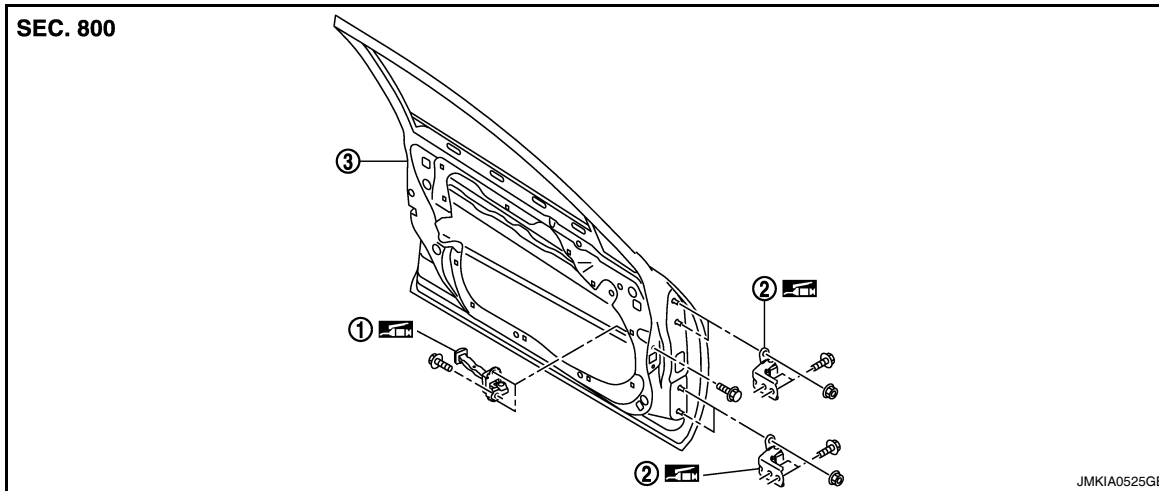
DOOR

FRONT DOOR

FRONT DOOR : Exploded View

INFOID:000000005461331

REMOVAL



1. Check link

2. Door hinge (upper, lower)

3. Front door panel

FRONT DOOR : Removal and Installation

INFOID:000000005461332

REMOVAL

CAUTION:

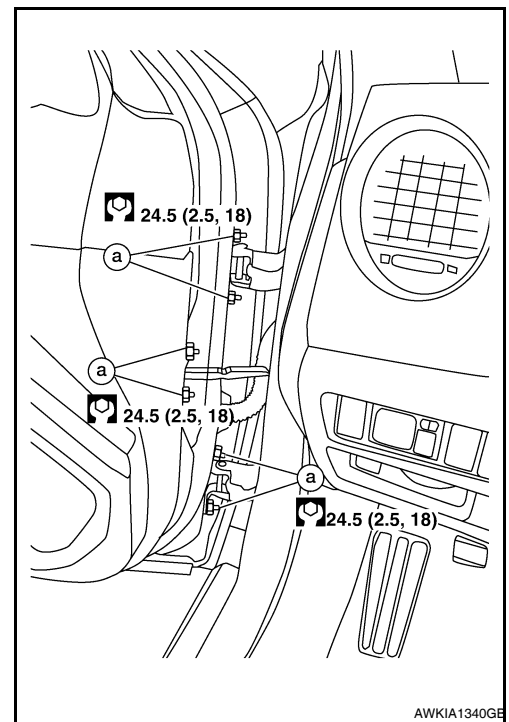
- When removing and installing the front door assembly, support the door with a jack and cloth to protect the door and body.
- When removing and installing front door assembly, be sure to carry out the fitting adjustment. Refer to [DLK-220, "FRONT DOOR : Adjustment"](#).
- After installing, apply touch-up paint (the body color) onto the head of the hinge nuts.
- Check the hinge rotating parts for lubrication. If necessary, apply "body grease".
- Operate with two workers, because of its heavy weight.
- Check front door open/close operation after installation.

1. Pull the grommet and wire harness out of the front pillar until the harness connectors are accessible. Then disconnect the wire harness connectors.
2. Remove the check link bolt from the front pillar.

DOOR

< ON-VEHICLE REPAIR >

3. Remove the door-side hinge nuts (a) and the door assembly (1).



INSTALLATION

Installation is in the reverse order of removal.

NOTE:

Adjust the door. Refer to [DLK-220, "FRONT DOOR : Adjustment"](#).

FRONT DOOR : Adjustment

INFOID:000000005461333

ADJUSTMENT

DOOR

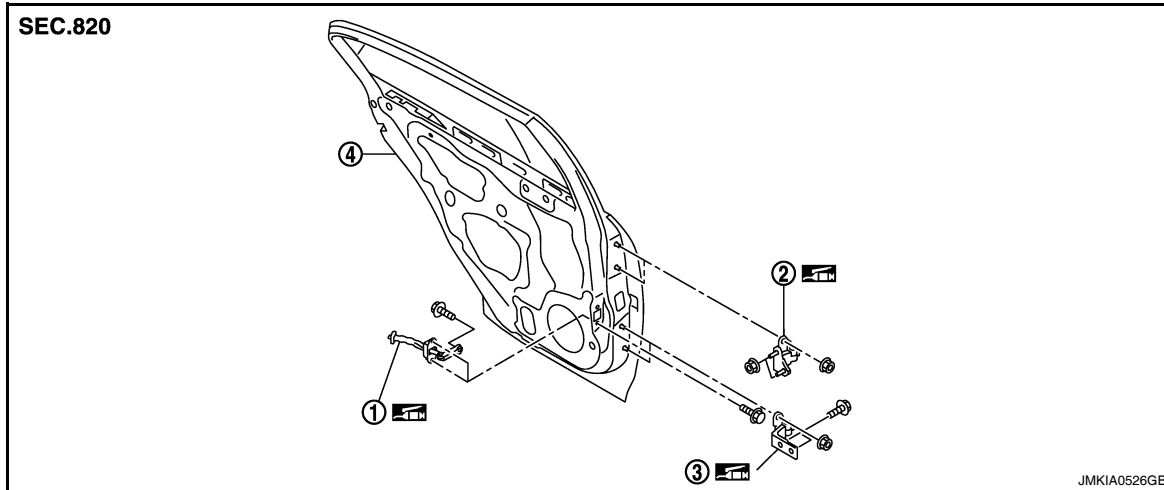
< ON-VEHICLE REPAIR >

1. Loosen the front door hinge nuts.
2. Move the top and or bottom in or out as necessary until it is within specifications.
3. Tighten the hinge nuts to specifications.

BACK DOOR

BACK DOOR : Exploded View

INFOID:000000005461334



1. Check link
2. Door hinge (upper)
3. Door hinge (lower)
4. Rear door panel

BACK DOOR : Removal and Installation

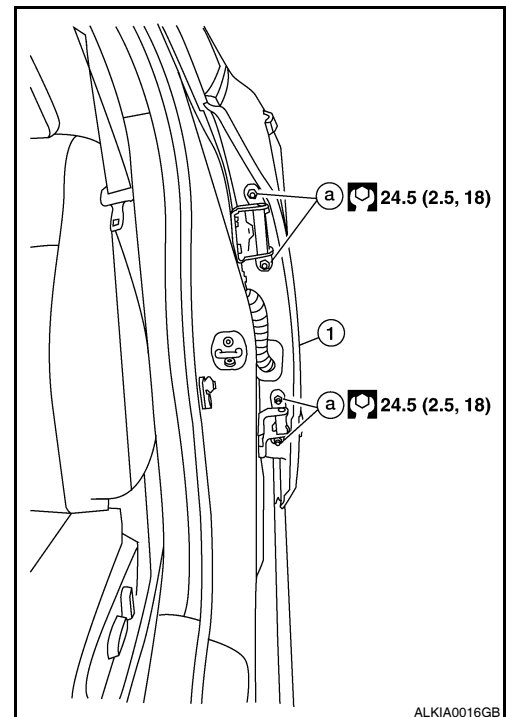
INFOID:000000005461335

REMOVAL

1. Pull out grommet and disconnect rear door harness connector.
2. Remove the check link bolt from the center pillar.
3. Remove the door-side hinge nuts (a) and the door assembly (1).

CAUTION:

- When removing and installing the rear door assembly, support the door with a jack and cloth to protect the door and body.
- When removing and installing rear door assembly, be sure to carry out the fitting adjustment.
- Check the hinge rotating parts for poor lubrication. If necessary, apply "body grease".
- After installing, apply touch-up paint (the body color) onto the head of the hinge nuts.
- Operate with two workers, because of its heavy weight.
- Check rear door open/close operation after installation.



INSTALLATION

Installation is in the reverse order of removal.

DOOR

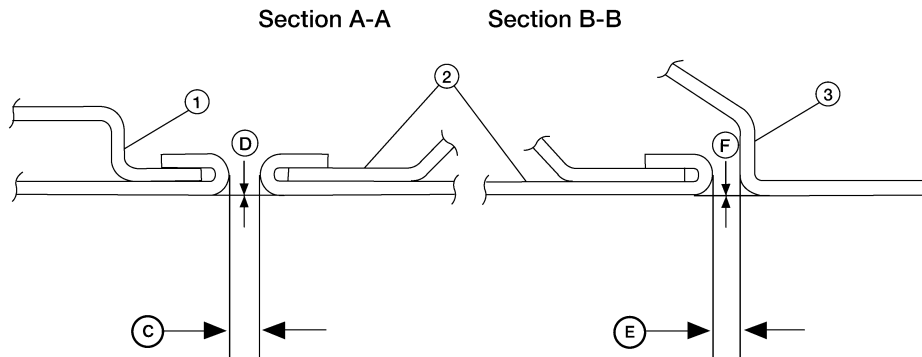
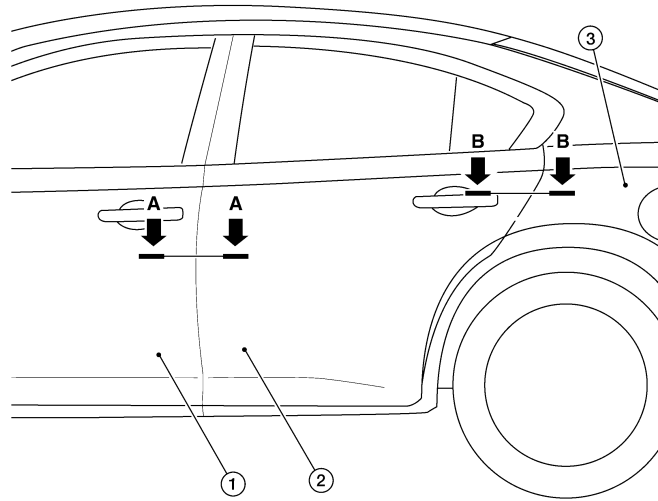
< ON-VEHICLE REPAIR >

BACK DOOR : Adjustment

INFOID:000000005461336

ADJUSTMENT

SEC. 820



AWKIA1545GB

1. Front door assembly
2. Rear door assembly
3. Body side outer

Unit: mm (in)

Section	Item	Measurement	Standard
A-A	C	Clearance	4.25 ± 1.0 (0.17 ± 0.04)
	D	Surface height	0.0 ± 1.0 (0.0 ± 0.04)
B-B	E	Clearance	4.0 ± 1.0 (0.16 ± 0.04)
	F	Surface height	0.0 ± 1.0 (0.0 ± 0.04)

LONGITUDINAL CLEARANCE

1. Remove the center pillar body side trim. Refer to [INT-24, "Removal and Installation"](#).
2. Loosen the upper pillar hinge nuts.
3. Loosen the lower pillar hinge bolts.

A
B
C
D
E
F
G
H
I
J
K
L
M
N
O
P

DLK

DOOR

< ON-VEHICLE REPAIR >

4. Raise or lower the door at the rear edge to adjust.
5. Tighten the lower pillar hinge bolts.
6. Tighten the upper pillar hinge nuts.
7. Install the center pillar body side trim. Refer to [INT-24. "Removal and Installation"](#).

SURFACE HEIGHT ADJUSTMENT

1. Loosen the hinge nuts.
2. Move the top and or the bottom in or out as necessary until it is within specification.
3. Tighten the hinge nuts to specification.

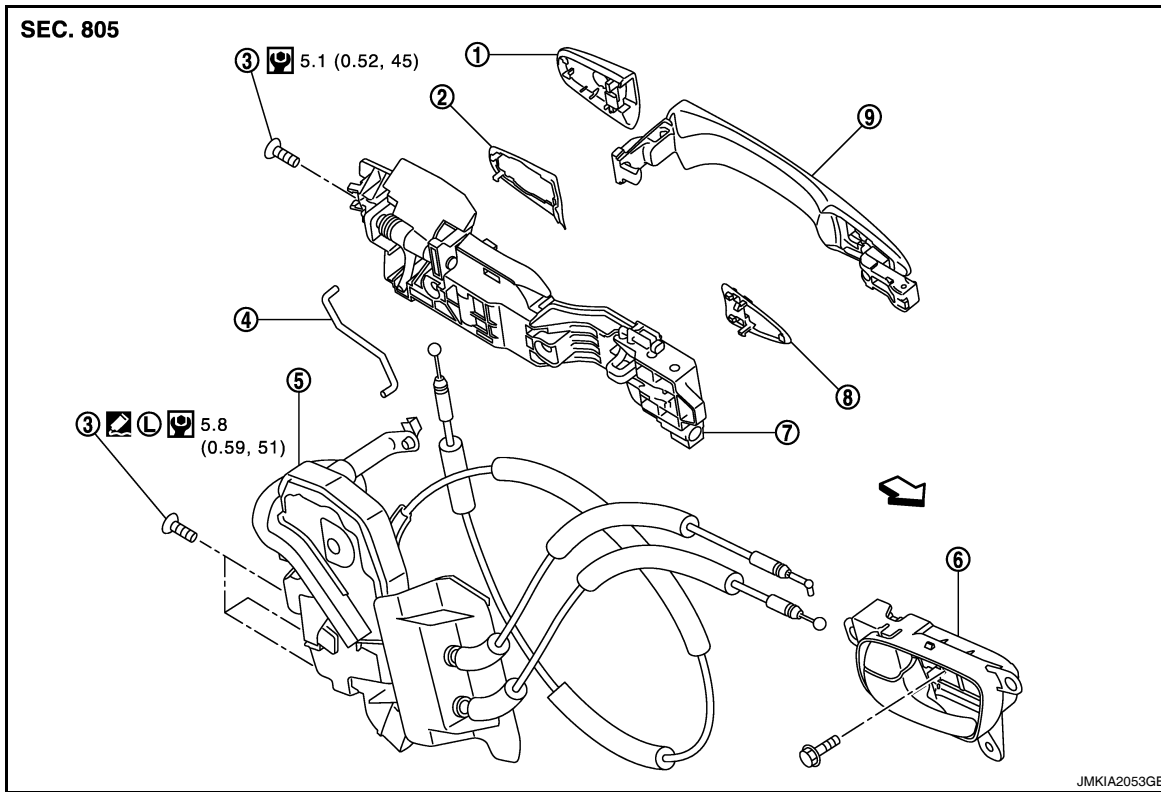
DOOR LOCK

< ON-VEHICLE REPAIR >

DOOR LOCK FRONT DOOR LOCK

FRONT DOOR LOCK : Exploded View

INFOID:000000005461337



- | | | |
|---|-----------------------|-------------------|
| 1. Door key cylinder assembly (driver side) | 2. Rear gasket | 3. TORX bolt |
| Outside handle escutcheon (passenger side) | | |
| 4. Key rod (driver side) | 5. Door lock assembly | 6. Inside handle |
| 7. Outside handle bracket | 8. Front gasket | 9. Outside handle |

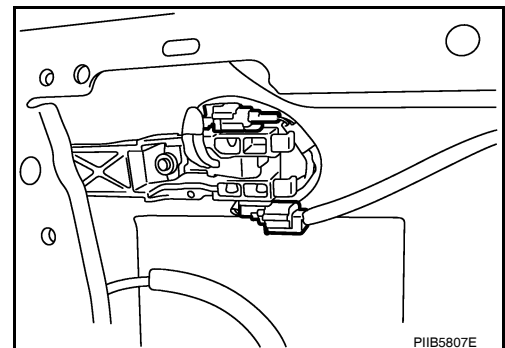
← : Vehicle front

FRONT DOOR LOCK : Removal and Installation

INFOID:000000005461338

REMOVAL

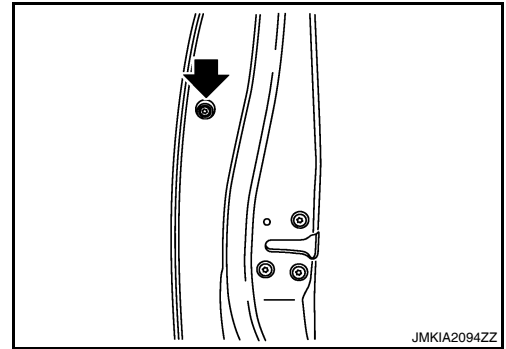
1. Remove front door finisher. Refer to [INT-18. "Removal and Installation"](#).
2. Remove front door module assembly. Refer to [GW-19. "Removal and Installation"](#).
3. Disconnect door antenna and door request switch connector and remove harness clamp on outside handle bracket.



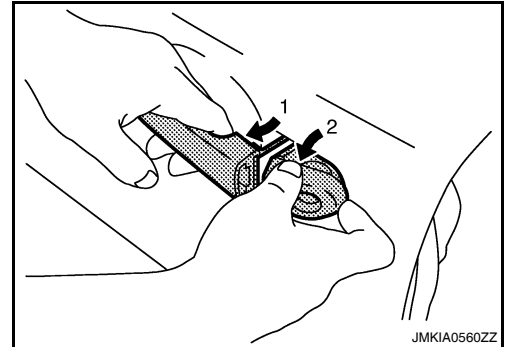
DOOR LOCK

< ON-VEHICLE REPAIR >

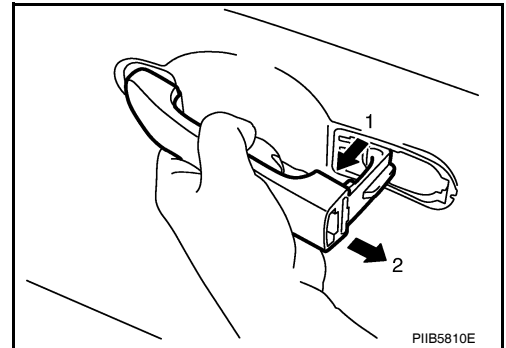
4. Remove door side grommet, and loosen TORX bolt from grommet hole.



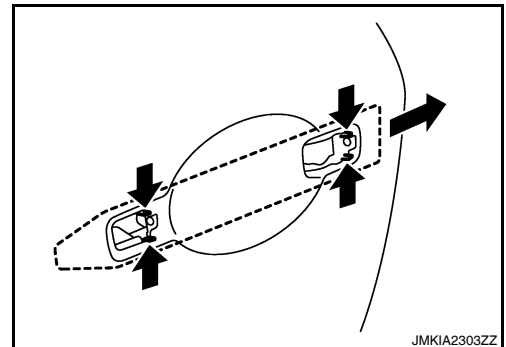
5. Disconnect the key cylinder rod from the door key cylinder.
6. While pulling outside handle, remove door key cylinder assembly (driver side) or outside handle escutcheon (passenger side).



7. While pulling outside handle, slide toward rear of vehicle to remove outside handle.



8. Remove front gasket and rear gasket.
9. While pulling outside handle bracket, slide toward rear of vehicle to remove outside handle bracket.



10. Separate the outside handle cable connection from the outside handle bracket.
11. Remove door lock assembly TORX bolts.
12. Disconnect door lock actuator connector, and then remove door lock assembly.
13. Remove key rod from door lock assembly.

INSTALLATION

DOOR LOCK

< ON-VEHICLE REPAIR >

Installation is in the reverse order of removal.

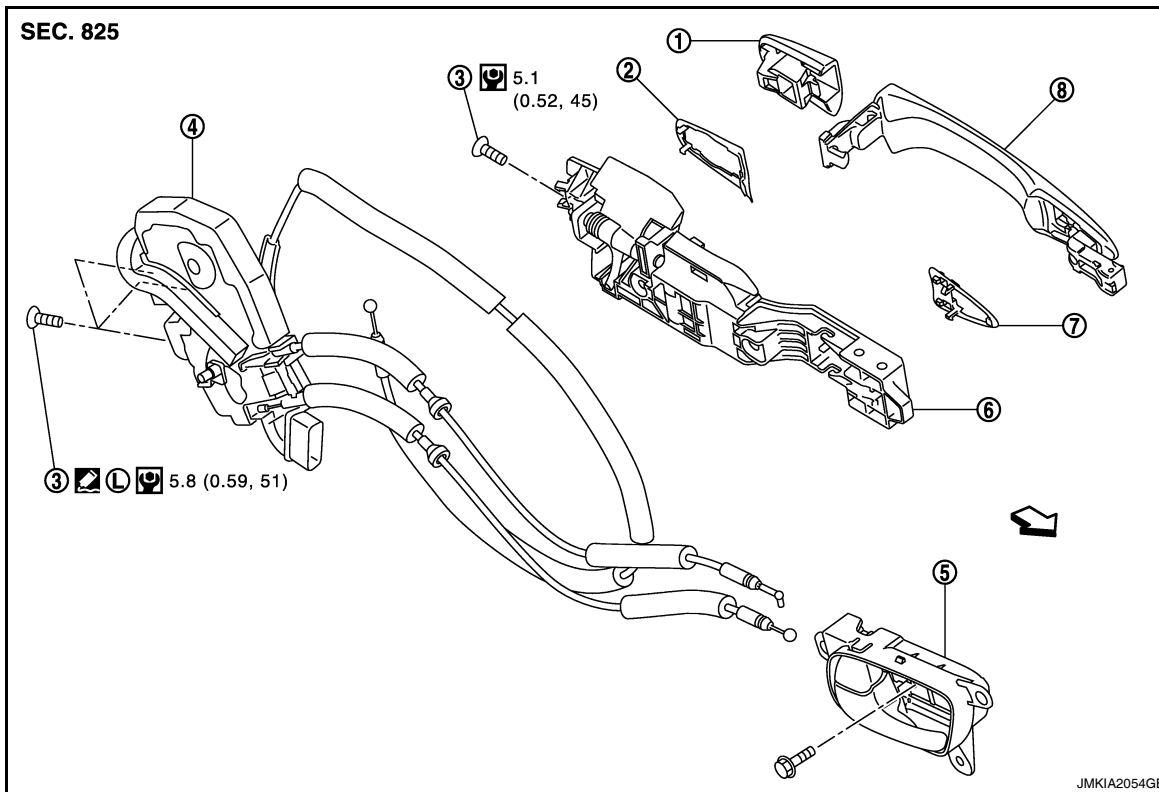
CAUTION:

- When installing each rod, rotate rod holder until a click is felt.
- Check door open/close, lock/unlock operation after installation.

BACK DOOR LOCK

BACK DOOR LOCK : Exploded View

INFOID:000000005461339



- | | | |
|------------------------------|-------------------|---------------------------|
| 1. Outside handle escutcheon | 2. Rear gasket | 3. TORX bolt |
| 4. Door lock assembly | 5. Inside handle | 6. Outside handle bracket |
| 7. Front gasket | 8. Outside handle | |

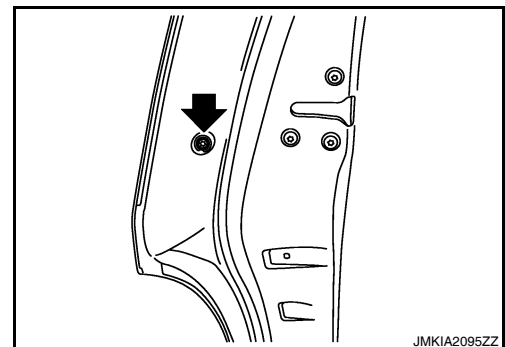
← : Vehicle front

BACK DOOR LOCK : Removal and Installation

INFOID:000000005461340

REMOVAL

1. Remove rear door finisher. Refer to [INT-21. "Removal and Installation"](#).
2. Remove sealing screen.
3. Fully close the rear door glass.
4. Remove door side grommet, and loosen TORX bolt from grommet hole.



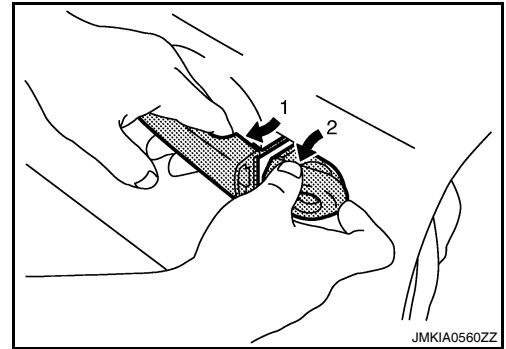
A
B
C
D
E
F
G
H
I
J
L
M
N
O
P

DLK

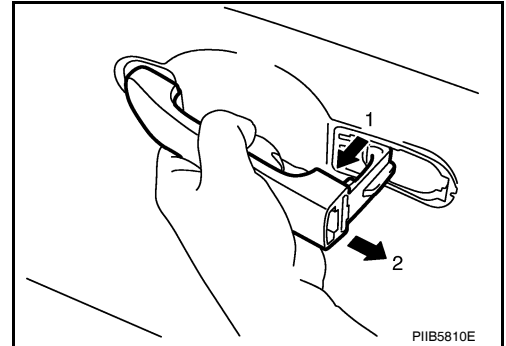
DOOR LOCK

< ON-VEHICLE REPAIR >

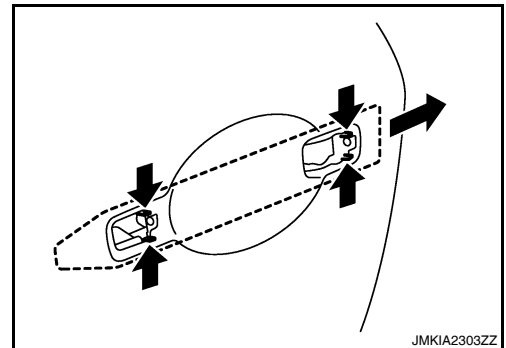
5. While pulling outside handle, remove outside handle escutcheon.



6. While pulling outside handle, slide toward rear of vehicle to remove outside handle.



7. Remove front gasket and rear gasket.
8. While pulling outside handle bracket, slide toward rear of vehicle to remove outside handle bracket.



9. Separate the outside handle cable connection from the outside handle bracket.
10. Remove door lock bolts.
11. Remove door lock assembly.

INSTALLATION

Installation in the reverse order of removal.

CAUTION:

Check door open/close, lock/unlock operation after installation.

TRUNK LID

< ON-VEHICLE REPAIR >

TRUNK LID

TRUNK LID ASSEMBLY

TRUNK LID ASSEMBLY : Removal and Installation

INFOID:000000005461341

REMOVAL

1. Remove trunk lid finisher. Refer to [INT-35, "Removal and Installation"](#).
2. Disconnect the connectors in the trunk lid, remove the harness clips, and pull the harness out of the trunk lid.
3. Remove the nuts, and the trunk lid assembly.

INSTALLATION

Installation is in the reverse order of removal.

CAUTION:

- After installing, apply touch-up paint (the body color) onto the head of the hinge nuts.
- After installing, check operation.
- After installing, perform fitting adjustment. Refer to [DLK-230, "TRUNK LID ASSEMBLY : Adjustment"](#).

A

B

C

D

E

F

G

H

I

J

DLK

L

M

N

O

P

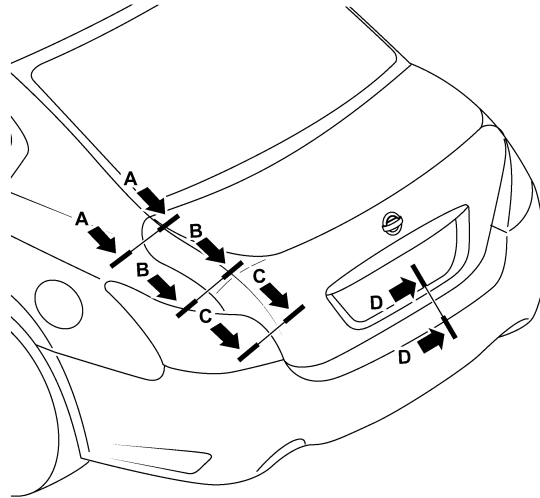
TRUNK LID

< ON-VEHICLE REPAIR >

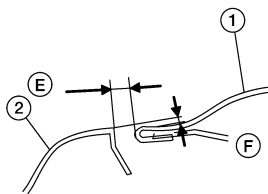
TRUNK LID ASSEMBLY : Adjustment

INFOID:000000005461342

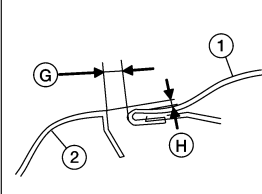
SEC. 843



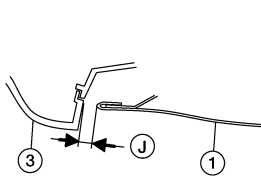
A-A



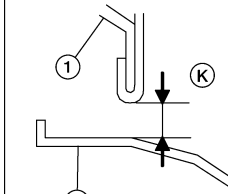
B-B



C-C



D-D



- 1. Trunk lid assembly
- 4. Rear bumper fascia

- 2. Body side outer
- ↔ Front

- 3. Rear combination lamp

AWKIA1553GB

TRUNK LID

< ON-VEHICLE REPAIR >

Unit: mm (in)

Section	Item	Standard	Right/left clearance (MAX)
A – A	E	4.0 ± 1.0 (0.16 ± 0.04)	≤2.0 (0.08)
	F	-0.5 ± 1.0 (-0.02 ± 0.04)	≤2.0 (0.08)
B – B	G	4.5 ± 1.0 (0.18 ± 0.04)	≤2.0 (0.08)
	H	-0.5 ± 1.0 (-0.02 ± 0.04)	≤2.0 (0.08)
C – C	J	5.0 ± 1.5 (0.20 ± 0.06)	≤2.0 (0.08)
D – D	K	7.0 ± 2.0 (0.28 ± 0.08)	—

LONGITUDINAL CLEARANCE

Trunk Lid Removed From Hinge

1. Check the clearance and the evenness between the trunk lid and each part by visual and tactile feeling.
2. Loosen the trunk lid to hinge bolts.
3. Move the trunk lid so that the clearance measurements are within specifications.
4. Tighten the trunk lid to hinge bolts.

Trunk Lid Hinge Removed From Vehicle

1. Remove the parcel shelf trim. Refer to [INT-26. "Removal and Installation"](#).
2. Loosen the hinge to parcel shelf bolts.
3. Move the trunk lid so that the clearance measurements are within specifications.
4. Tighten the hinge to parcel shelf bolts.
5. Install the parcel shelf trim. Refer to [INT-26. "Removal and Installation"](#).

SURFACE HEIGHT ADJUSTMENT

1. Loosen the bumper rubber.
2. Loosen the striker bolts.
3. Lift up the trunk lid approx. 100 - 150 mm (3.94 - 5.91 in) then close it lightly. Make sure it engages firmly with the trunk lid closed.
4. Finally tighten the trunk lid striker.

TRUNK LID LOCK

TRUNK LID LOCK : Removal and Installation

INFOID:000000005461343

LOCK

Removal

1. Remove the trunk lid inner trim panel. Refer to [INT-35. "Removal and Installation"](#).
2. Remove the bolts, disconnect the electrical connector, separate the emergency release handle, and remove the trunk lid lock.

Installation

Installation is in the reverse order of removal.

Striker

Removal

1. Remove the trunk end finisher. Refer to [INT-35. "Removal and Installation"](#).
2. Remove the bolts and the striker.

Installation

Installation is in the reverse order of removal.

NOTE:

Align the trunk lid lock. Refer to [DLK-230. "TRUNK LID ASSEMBLY : Adjustment"](#).

TRUNK LID STAY

TRUNK LID

< ON-VEHICLE REPAIR >

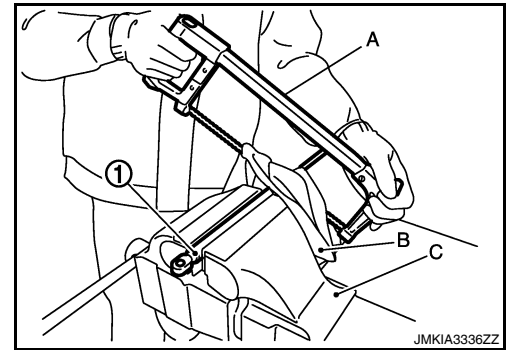
TRUNK LID STAY : Disposal

INFOID:000000005461344

1. Fix trunk lid stay (1) using a vise (C).
2. Using hacksaw (A) slowly make 2 holes in the trunk lid stay, in numerical order as shown in the figure.

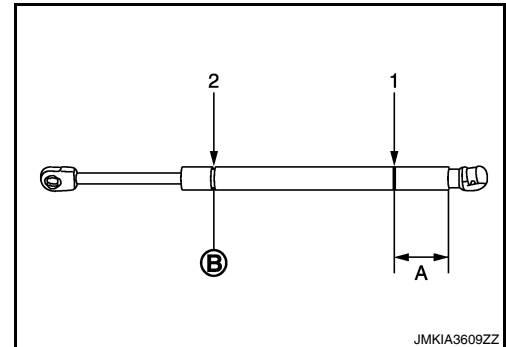
CAUTION:

- When cutting a hole on trunk lid stay, always cover a hacksaw using a shop cloth (B) to avoid scattering metal fragments or oil.
- Wear eye protection (safety glasses).
- Wear gloves.



A: 20 mm (0.787 in)

B: Cut at the groove.



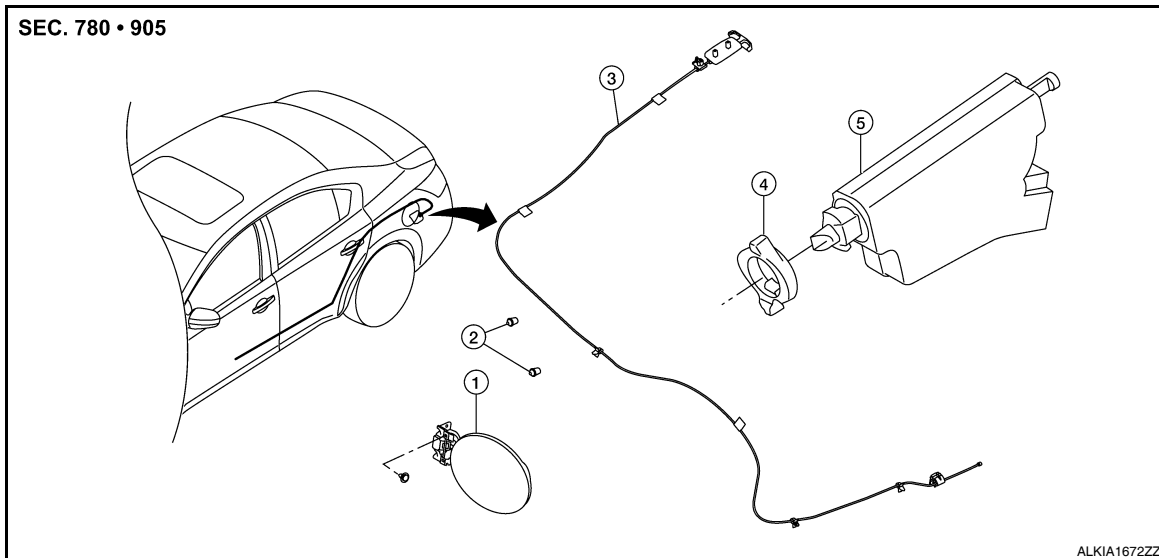
FUEL FILLER LID OPENER

< ON-VEHICLE REPAIR >

FUEL FILLER LID OPENER

Exploded View

INFOID:000000005461345



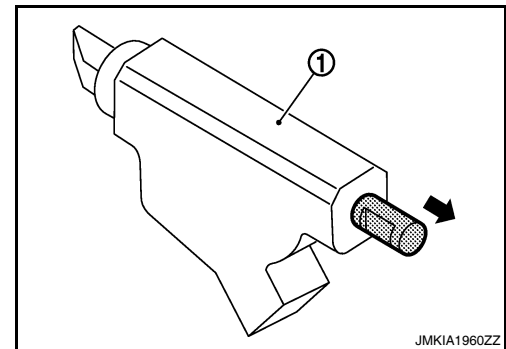
- | | | |
|-----------------------------|------------------------------------|--|
| 1. Fuel filler lid assembly | 2. Bumper rubber | 3. Fuel filler lid opener actuator cable |
| 4. Lock nut | 5. Fuel filler lid opener actuator | |

Removal and Installation

INFOID:000000005461346

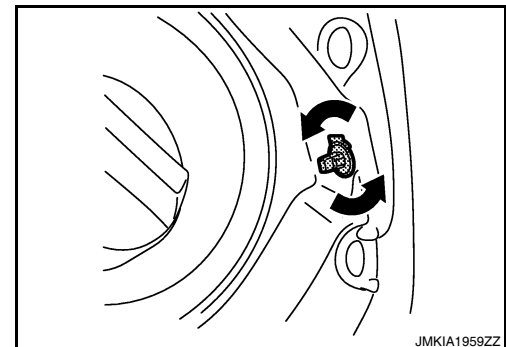
NOTE:

When the fuel filler lid opener actuator (1) is defective, pull the rod to open the fuel filler lid.



REMOVAL

1. Remove filler cap.
2. Remove mounting screws, and then remove fuel filler lid.
3. Remove luggage side finisher lower (LH). Refer to [INT-35, "Removal and Installation"](#).
4. Locate fuel filler lid opener actuator, and then remove the fuel filler lid opener actuator by turning lock nut counterclockwise.



INSTALLATION

A
B
C
D
E
F
G
H
I
J
DLK
L
M
N
O
P

FUEL FILLER LID OPENER

< ON-VEHICLE REPAIR >

Installation is in the reverse order of removal.

CAUTION:

After installation, apply the touch-up paint (the body color) onto the head of the screws.

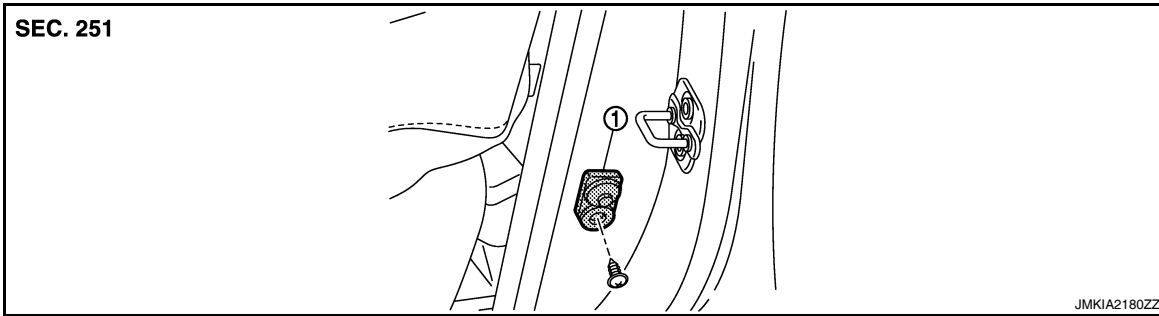
DOOR SWITCH

< ON-VEHICLE REPAIR >

DOOR SWITCH

Exploded View

INFOID:000000005461347



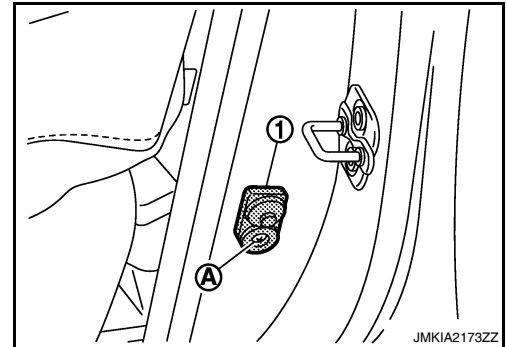
1. Door switch

Removal and Installation

INFOID:000000005461348

REMOVAL

1. Remove the door switch screw (A), and then remove door switch (1).



INSTALLATION

Installation is in the reverse order of removal.

A
B
C
D
E
F
G
H
I
J
DLK
L
M
N
O
P

TRUNK LID OPENER SWITCH

< ON-VEHICLE REPAIR >

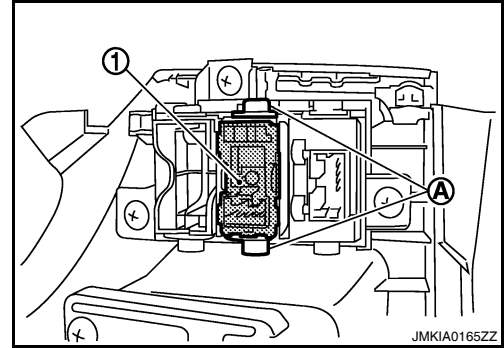
TRUNK LID OPENER SWITCH

Removal and Installation

INFOID:000000005461349

REMOVAL

1. Remove the instrument driver lower panel. Refer to [IP-12. "Removal and Installation"](#).
2. Disengage pawls (A), and press trunk lid opener switch (1) front side to remove from instrument driver lower panel.



INSTALLATION

Installation is in the reverse order of removal.

TRUNK OPENER REQUEST SWITCH

< ON-VEHICLE REPAIR >

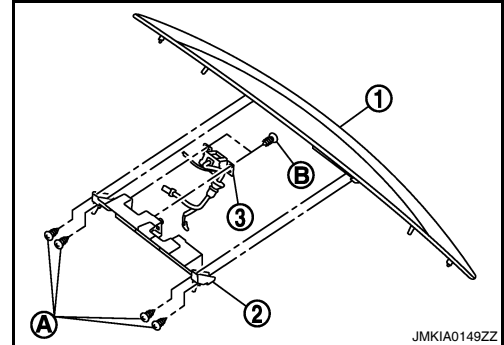
TRUNK OPENER REQUEST SWITCH

Removal and Installation

INFOID:000000005461350

REMOVAL

1. Remove the license lamp finisher (1). Refer to [EXT-27. "Removal and Installation"](#).
2. Remove the inner bracket screws (A), and then remove inner bracket (2) from license lamp finisher (1).
3. Remove the trunk lid request switch screw (B), and then remove trunk lid request switch (3) from inner bracket (2).



INSTALLATION

Installation is in the reverse order of removal.

A
B
C
D
E
F
G
H
I
J
L
M
N
O
P

DLK

INTELLIGENT KEY BATTERY

< ON-VEHICLE REPAIR >

INTELLIGENT KEY BATTERY

Removal and Installation

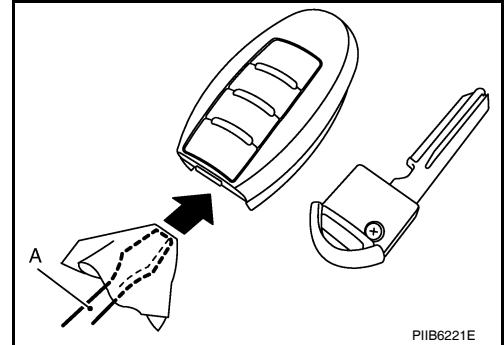
INFOID:000000005461351

1. Release the lock knob at the back of the Intelligent Key and remove the mechanical key.

2. Insert a flat-blade screwdriver (A) wrapped with a cloth into the slit of the corner and twist it to separate the upper part from the lower part.

CAUTION:

- Do not touch the circuit board or battery terminal.
- The key fob is water-resistant. However, if it does get wet, immediately wipe it dry.



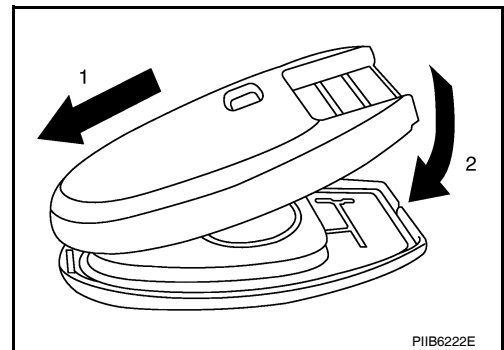
3. Replace the battery with new one.

Battery replacement :Coin-type lithium battery (CR2025)

4. Align the tips of the upper and lower parts, and then push them together until it is securely closed.

CAUTION:

- When replacing battery, keep dirt, grease, and other foreign materials off the electrode contact area.
- After replacing the battery, check that all Intelligent Key functions work normally.



REMOTE KEYLESS ENTRY RECEIVER

< ON-VEHICLE REPAIR >

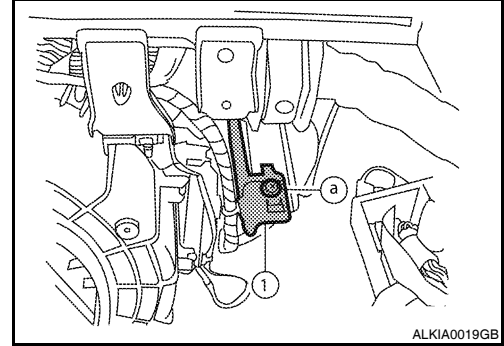
REMOTE KEYLESS ENTRY RECEIVER

Removal

INFOID:000000005461352

REMOVAL

1. Remove glove compartment. Refer to [IP-12. "Removal and Installation"](#).
2. Remove the screw (a), lower the bracket and remote keyless entry receiver (1), then disconnect the harness and remove the receiver.



Installation

INFOID:000000005461353

Installation is in the reverse order of removal.

A
B
C
D
E
F
G
H
I
J
L
M
N
O
P

DLK

INSIDE KEY ANTENNA

< ON-VEHICLE REPAIR >

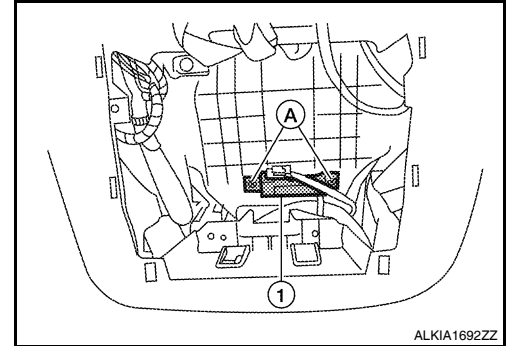
INSIDE KEY ANTENNA INSTRUMENT CENTER

INSTRUMENT CENTER : Removal and Installation

INFOID:000000005461354

REMOVAL

1. Remove cluster lid C. Refer to [IP-12. "Removal and Installation"](#).
2. Remove the key antenna screws (A), and then remove inside key antenna (instrument center) (1).



INSTALLATION

Installation is in the reverse order of removal.

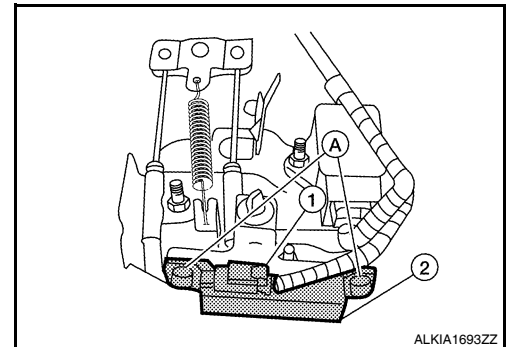
CONSOLE

CONSOLE : Removal and Installation

INFOID:000000005461355

REMOVAL

1. Remove the center console. Refer to [IP-16. "Removal and Installation"](#).
2. Disconnect electrical connector (1).
3. Remove the inside key antenna screws (A), and inside key antenna (console) (2).



INSTALLATION

Installation is in the reverse order of removal.

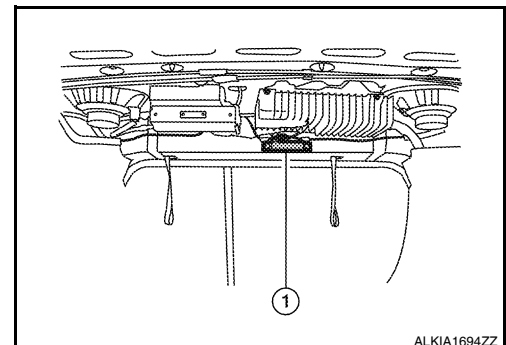
LUGGAGE ROOM

LUGGAGE ROOM : Removal and Installation

INFOID:000000005461356

REMOVAL

1. Disconnect electrical connector and remove inside key antenna (luggage room) (1).



INSIDE KEY ANTENNA

< ON-VEHICLE REPAIR >

INSTALLATION

Installation is in the reverse order of removal.

A

B

C

D

E

F

G

H

I

J

DLK

L

M

N

O

P

OUTSIDE KEY ANTENNA

< ON-VEHICLE REPAIR >

OUTSIDE KEY ANTENNA

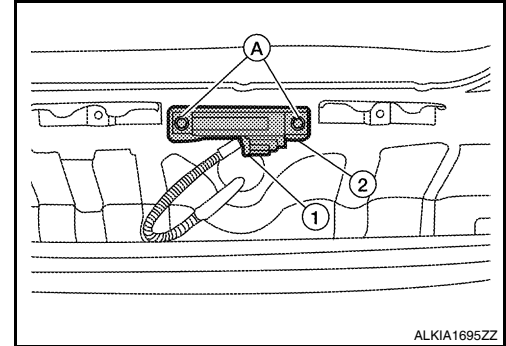
REAR BUMPER

REAR BUMPER : Removal and Installation

INFOID:000000005461357

REMOVAL

1. Remove the rear bumper. Refer to [EXT-15. "Removal and Installation"](#).
2. Disconnect electrical connector (1).
3. Remove the outside key antenna (rear bumper) screws (A), and then remove outside key antenna (rear bumper) (2).



INSTALLATION

Installation is in the reverse order of removal.